



平面印刷品基本技术要求			
科沃斯机器人股份有限公司			
物料名称	欧拉 德国简易版说明书 MP	尺 寸	145*210mm
型 号	ZJ2499	印刷颜色	单色 K
物料编码	451-2499-0316	装订方式	胶装
版 次	A	阶 段	A
材 质	封面 157 哑粉纸 + 内页 80g 双胶纸	页 数	160P
变更记录:			
	设计	审核	批准
			



DEEBOT **130C** Gen2

Instruction Manual

Instruction Manual.....	EN		P03
Bedienungsanleitung	DE		P21
Manuel d'instructions.....	FR		P38
Manuale d'istruzioni	IT		P55
Bruksanvisning	SE		P72
Bruksanvisning	NO		P89
Brugsanvisning.....	DK		P106
Käyttöopas	FI		P123
Kullanım Kılavuzu	TR		P140

For the Instruction Manual in further languages, visit: <https://www.ecovacs.com>.

Die Bedienungsanleitung in anderen Sprachen findest du unter: <https://www.ecovacs.com>.

Pour obtenir le Manuel d'instruction dans différentes langues, visitez : <https://www.ecovacs.com>.

Per il manuale d'istruzioni in altre lingue, visitare il sito Web: <https://www.ecovacs.com>.

Bruksanvisningen finns på fler språk på: <https://www.ecovacs.com>.

Du finner bruksanvisningen på flere språk på: <https://www.ecovacs.com>.

Du kan finde brugsanvisningen på flere sprog på: <https://www.ecovacs.com>.

Käyttöopas on saatavilla muilla kielillä osoitteessa <https://www.ecovacs.com>.

Diğer dillerde sunulan Kullanım Kılavuzu için şu adresi ziyaret edin: <https://www.ecovacs.com>.

IMPORTANT SAFETY INSTRUCTIONS

IMPORTANT SAFETY INSTRUCTIONS

When using an electrical Appliance, basic precautions should always be followed, including the following:

READ ALL INSTRUCTIONS BEFORE USING THIS APPLIANCE

SAVE THESE INSTRUCTIONS

1. This Appliance can be used by children aged from 8 years and above and persons with reduced physical, sensory, or mental capabilities or lack of experience and knowledge if they have been given supervision or instruction concerning use of the Appliance in a safe way and understand the hazards involved. Children shall not play with the Appliance. Cleaning and user maintenance shall not be made by children without supervision.
2. Clear the area to be cleaned. Remove power cords and small objects from the floor that could entangle the Appliance.
3. Tuck rug fringe under the rug base, and lift items such as curtains and tablecloths off the floor.
4. If there is a drop off in the cleaning area due to a step or stairs, you should operate the Appliance to ensure that it can detect the step without falling over the edge. It may become necessary to place a physical barrier at the edge to keep the unit from falling. Make sure the physical barrier is not a trip hazard.
5. Only use as described in this manual. Only use attachments recommended or sold by the manufacturer.
6. For INDOOR household use ONLY. Do not use the Appliance in outdoor, commercial, or industrial environments.
7. Do not use without dust bin and/or filters in place.
8. Do not operate the Appliance in an area where there are lit candles or fragile objects.
9. Keep hair, loose clothing, fingers, and all parts of body away from any openings and moving parts.
10. Do not operate the Appliance in a room where an infant or child is sleeping.
11. Do not use and store in extremely hot or cold environments (below -5°C / 23°F or above 40°C / 104°F). Please charge the robot in temperature above 0°C / 32°F and below 40°C / 104°F .

12. Do not use Appliance on wet surfaces or surfaces with standing water.
13. Do not allow the Appliance to pick up large objects like stones, large pieces of paper, or any item that may clog the Appliance.
14. Do not use Appliance to pick up flammable or combustible materials such as gasoline, printer or copier toner, or use in areas where they may be present.
15. Do not use Appliance to pick up anything that is burning or smoking, such as cigarettes, matches, hot ashes, or anything that could cause a fire.
16. Do not put objects into the suction intake. Do not use if the suction intake is blocked. Keep the intake clear of dust, lint, hair, or anything that may reduce air flow.
17. If the power cord is damaged, it must be replaced by the manufacturer or its service agent in order to avoid a hazard.
18. Turn OFF the power switch before cleaning or maintaining the Appliance.
19. The lithium battery type suitable for CH2471 is Max. 8 cells, max. nominal voltage DC 14.4V, rated capacity 4,800mAh. The battery must be removed and discarded according to local laws and regulations before disposal of the Appliance.
20. Please dispose of used batteries according to local laws and regulations.
21. Do not incinerate the Appliance even if it is severely damaged. The batteries can explode in a fire.
22. The Appliance must be used in accordance with the directions in this Instruction Manual. Ecovacs Home Service Robotics cannot be held liable or responsible for any damages or injuries caused by improper use.
23. The robot contains batteries that are only replaceable by skilled persons. To replace the robot's battery, please contact Customer Service.
24. Please make sure your power supply source voltage matches the power voltage marked on the OMNI Station.
25. Use only the original rechargeable battery and OMNI Station provided with the Appliance from the manufacturer. Non-rechargeable batteries are prohibited.
26. Take care not to damage the power cord. Do not pull on or carry the Appliance or OMNI Station by the power cord, use the power cord

- as a handle, close a door on the power cord, or pull power cord around sharp edges or corners. Do not run Appliance over the power cord. Keep power cord away from hot surfaces.
27. Do not use the OMNI Station if it is damaged. The power supply is not to be repaired and not to be used any longer if it is damaged or defective.
 28. Do not use with a damaged power cord or receptacle. Do not use the Appliance or OMNI Station if it is not working properly, has been dropped, damaged, left outdoors, or come in contact with water. It must be repaired by the manufacturer or its service agent in order to avoid hazards.
 29. The plug must be removed from the receptacle before cleaning or maintaining the OMNI Station.
 30. Remove the Appliance from the OMNI Station, and turn OFF the power switch to the Appliance before removing the battery for disposal of the Appliance.
 31. When not using the OMNI Station for a long period of time, please unplug it.
 32. If the robot will not be used for a long time,

power OFF the robot for storage and unplug the OMNI Station.

33. **WARNING**-Add clean water into the clean tank only.
34. **WARNING:** For the purposes of recharging the battery, only use the detachable supply unit CH2471 provided with the Appliance.



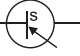




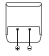
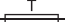
To satisfy RF exposure requirements, a separation distance of 20 cm or more should be maintained between this device and persons during device operation.

To ensure compliance, operations at closer than this distance is not recommended. The antenna used for this transmitter must not be co-located in conjunction with any other antenna or transmitter.

Device Update

Typically, some devices are updated bi-monthly, but not always so specific. Some devices, especially those that went on sale more than three years ago, will only be updated if a critical vulnerability is found and fixed. To check the current software version and enable

automatic updates, go to Settings > Robot Advanced Settings > About Your Robot > Update in the app. The current version is displayed there; tap Update to enter the page and select Automatic Update to enable it.

	Caution: hot surface
	Short-circuit-proof safety isolating transformer
	Switch mode power supply
	For indoor use only
	Direct current
	Alternating current
	Before charging, read the instructions.
	Polarity of the charging port
	Time-lag miniature fuse-link

The remote surveillance is for the absolute private use of non-public, private owned places for the pure self-protection and single control intended only. Please be aware of the local data protection based legal obligations in case of use. No surveillance of public places, especially with clandestine intent and/or on the part of the employer without justified reasons. Such not justified use is in the risk and responsibility of the user only.

European Union Compliance Statement Information on Disposal for Users of Waste Electrical & Electronic Equipment



This symbol on the product or on its packaging indicates that used electrical and electronic products should not be mixed with unsorted municipal waste. For proper treatment, it is your responsibility to dispose of your waste equipment by arranging to return it to designated collection points.

Disposing of this product correctly will help save valuable resources and prevent any potential negative effects on human health and the environment, which could otherwise arise from inappropriate waste handling.

To return your used device, please use the return and collection systems or contact the retailer where the product was purchased, which is free of charge, please contact your local authority for further details of your nearest designated collection point.

Penalties may be applicable for incorrect disposal of this waste, in accordance with your national legislation.

Information on Disposal for Users of used batteries



This symbol means that batteries and accumulators, at their end-of-life, should not be mixed with unsorted municipal waste. Your participation is an important part of the effort to minimize the impact of batteries and accumulators on the environment and on human health. For proper recycling you can return this product or the batteries or accumulators it contains to your supplier or to a designated collection point, which is free of charge.

Disposing of this product correctly will help save valuable resources and prevent any potential negative effects on human health and the environment, which could otherwise arise from inappropriate waste handling.

Penalties may be applicable for incorrect disposal of this waste, in accordance with your national legislation. there are separate collection systems for used batteries and accumulators.

Please, dispose of batteries and accumulators correctly at your local community waste collection/recycling center.

Restriction of the use of certain hazardous substances (RoHS) Directive

Ecovacs Home Service Robotics Co., Ltd. hereby declares the whole product including parts (cables, cords, and so on) meets the requirements of RoHS Directive 2011/65/EU and amendment Commission Delegated Directive (EU) 2015/863 on the restriction of the use of certain hazardous substances in electrical and electronic equipment ("RoHS recast" or "RoHS 2.0").

Radio Equipment Directive

Ecovacs Home Service Robotics Co., Ltd. hereby declares that the product listed in this section comply with the essential requirements and other relevant provisions of the Radio Equipment Directive 2014/53/EU.

Europe Authorised Representative:

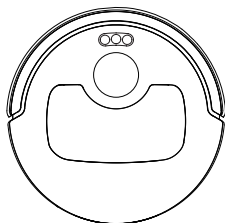


Ecovacs Home Service Robotics Co., Ltd. hereby declares that the product comply with the essential requirements and other relevant provisions of the RoHS Directive 2011/65/EU and amendment Commission Delegated Directive (EU) 2015/863, the Radio Equipment Directive 2014/53/EU. The declaration of conformity can be viewed at the following address:

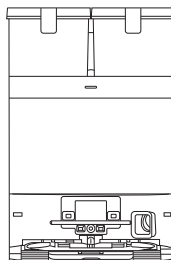
<https://www.ecovacs.com/global/compliance>.

PACKAGE COMPONENTS

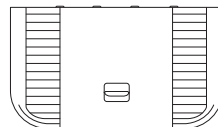
1 PACKAGE CONTENTS



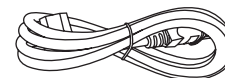
Robot



OMNI Station



Base



Power Cord



Side Brush



Instruction Manual

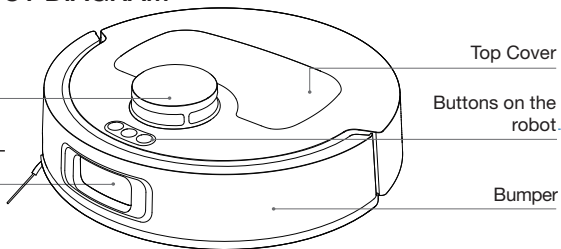
* Figures in this manual are for reference only and may differ from the appliance. Product design and specifications are subject to changes without notice.

2 PRODUCT DIAGRAM

Robot

Navigation Module

Obstacle Avoidance Module



Top Cover

Buttons on the robot

Bumper

Buttons



Press: Return to the station
(Robot not in the station)

Press and hold: Self-Cleaning



Press: Toggle Start/Pause/Continue Press and hold: Power on/Power off



Press: Start/End spot cleaning Press and hold: Activate/Deactivate the child lock

Inside the Robot (Under the Top Cover)

RESET Button

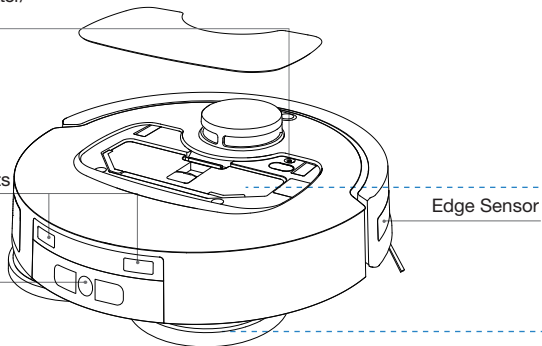
Network Setup: Press the RESET button, and you will hear a voice prompt to connect the robot with the APP.

Restore Default Settings: Press the RESET button and hold for 5 s. After you hear the voice prompt, the startup music will play, and the robot will be restored to the default settings.

Wi-Fi Status Indicator/
RESET Button

Charging Contacts

Water Filling Port



Edge Sensor

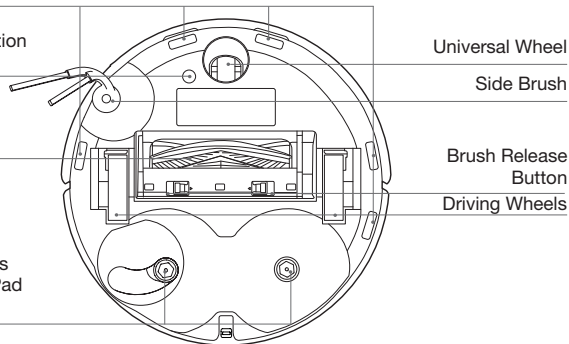
Bottom Back View

Anti-drop Sensors

Carpet Detection Sensor

Roller Brush

Mounting Slots for Mopping Pad Assembly



Universal Wheel

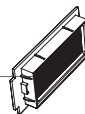
Side Brush

Brush Release Button

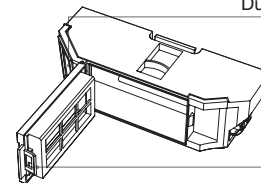
Driving Wheels

Dust Bin

Filter



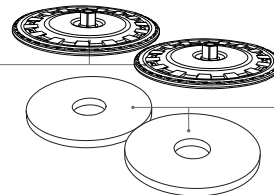
Dust Disposal Port



Release Button

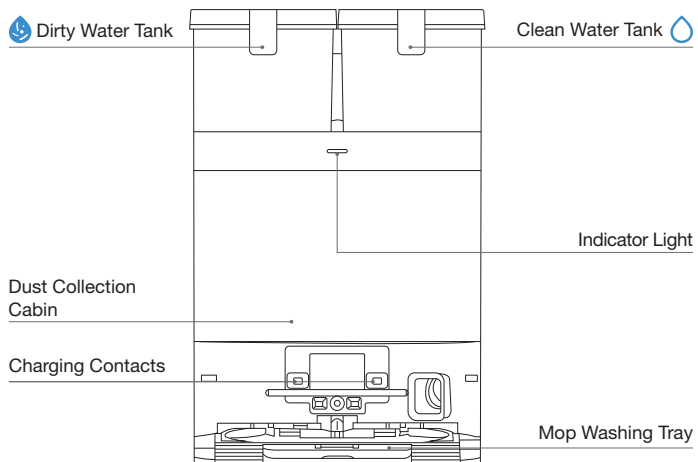
Mopping Pad Assembly

Mopping Pad Plates



Washable Mopping Pads

OMNI Station

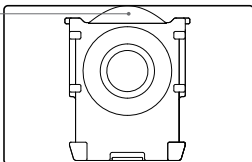


Note:

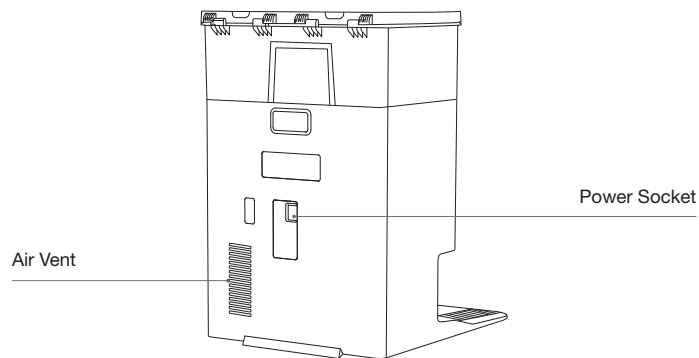
- Flashing Red: Please check the ECOVACS HOME App for the reason.
- If the robot fails to charge, please wipe charging contacts with a clean and dry cloth.

Dust Bag

Dust Bag Handle



OMNI Station (Back)



3 Indicator Light

	Light Effect	State
Robot	Breathing White	Charging
	Solid White	Fully Charged/Running
	White Light Flashes 1 Time	Power Button Triggered, Task Starts/Pauses/Continues
	Solid Red	Low Battery
	Flashing Red	Alarm
Station	Solid White	Standby/Running
	Flashing Red	Malfunction
	Goes Out	Power Outage/ Deep Sleep Mode

4 Sensors Overview

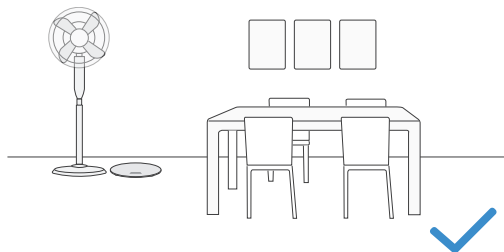
Name	Functional Description
Navigation Module	Laser Ranging is applied to measure the distance between the robot and surrounding objects based on the time difference of reflection, allowing the module to map against the objects around while the robot is moving. The detection range is 8 m.
Obstacle Avoidance Module	Laser Ranging and triangulation are used to measure the distance between the robot and surrounding obstacles. The sensor emits laser beams and receives the reflected light from obstacles ahead. When an obstacle is detected within close range, the robot automatically turns to avoid it. The detection range is 0.3 meters.
Anti-drop Sensors	With Infrared Ranging, the distance between the robot's bottom and the ground is detected by the infrared sensors at the bottom. The robot will not move forward when there are stairs in front (such as when the height of the white surface is 55 mm or more, or the height of the black surface is 30 mm or more) and the identified exceeds the preset one, enabling the Anti-drop function.
Carpet Detection Sensor	The sensor emits 300 kHz ultrasound, which energy will be absorbed by the carpet, causing the echoed energy to be lower than the threshold. The robot thereby detects the carpet's presence. In the ECOVACS laboratory, more than 50 types of carpets available on the market are identified.
Anti-collision Sensor	With the principle of the Optocoupler Switch, the robot will avoid obstacles when they are about to collide.
Edge Sensor	With Infrared Ranging, the edge sensor detects the distance between the robot and objects on the side. When there is a wall or obstacles on the right, the robot performs edge cleaning to avoid missing any spots and prevent collisions.

INITIAL SETUP AND USE

1 Notes Before Cleaning

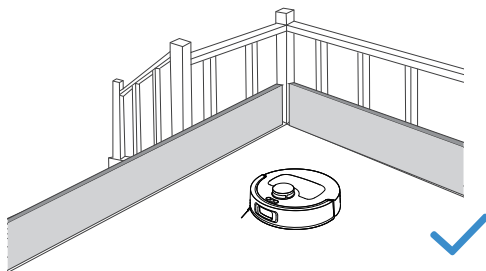
Tidy up the Area to be Cleaned

For the maximum cleaning area possible, before using the robot, please put furniture, such as tables, chairs, and pedestal fans, in their proper place and put away low-lying items, such as weight scales.



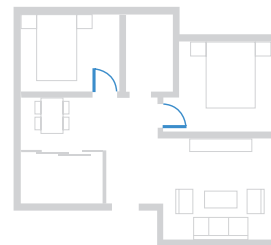
Prevent robot from Falling

Place a physical barrier at the edge of a drop, such as staircases and steps, to stop the robot from falling over the edge.



Open Doors and Help robot Explore

Open all room doors to help the robot fully explore your house during the first cleaning.



To improve cleaning efficiency, please remove objects, including cables, clothes, and slippers, from the floor.



Before using the product on a carpet with tasseled edges, please fold the tassels under the carpet.



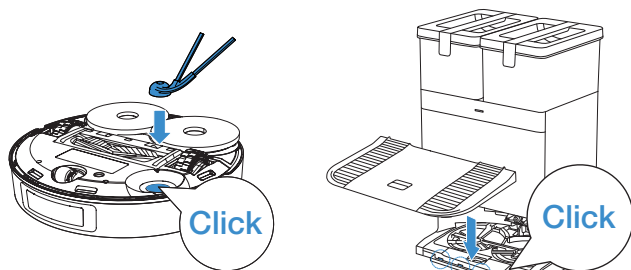
Please do not stand in narrow spaces, such as hallways, to avoid blocking TrueMapping.

2 Quick Start

Remove all protective materials before using.

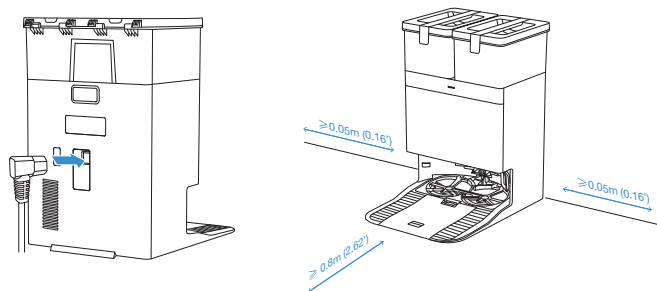
1. Installation

The sound of “click” indicates proper installation.



2. Assemble and Place the Station

Place the OMNI Station against a flat, hard surface. Do not place items within 0.05 meters on either side and 0.8 meters in front.

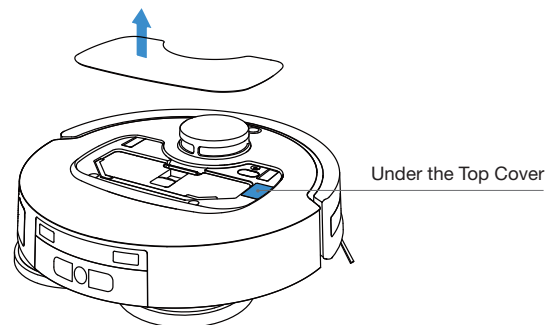


- If there are reflective objects such as mirrors and reflective skirting lines near the Station, the bottom 14 cm of such objects should be covered.
- Do not place the Station under direct sunlight.
- Place the station in a location with a strong Wi-Fi signal for better user experience.
- Do not use the appliance on wet surfaces or surfaces with standing water.
- Do not wipe the robot and the station with a damp cloth or use any liquid.

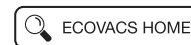
3 Download the ECOVACS HOME APP

To enjoy all available features, it is recommended that you control your robot via the ECOVACS HOME App.

1. Scan the QR Code under the Top Cover to download the App.



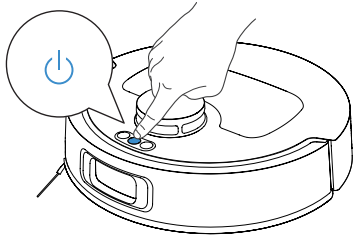
2. Search "ECOVACS HOME" on the App Store or Google Play to download the App.



Note: Follow the instructions on the App to complete the registration, login, and connection.

4 Power on Robot

1. Turn on the power switch and place the robot in front of the station that is connected to power supply.



5 Connect robot with APP


Name	Description
Infrared interface	The infrared interface is turned off by default, and it is activated when the robot is in the charging station. When the DEEBOT is in the charging station, it will communicate with the charging station through the infrared interface.
WI-FI*	Facilitate data transfer between the app and the robot, enabling control of the robot through the app.
ECOVACS HOME App	ECOVACS products offer smart functions such as network setup, mapping, and cleaning mode selection (specific to each product). To utilize these features, users need to download and use the official ECOVACS Home App.

• The robot series robotic vacuums are designed for domestic cleaning scenarios. A home Wi-Fi network is required for operation, and anti-DDoS protection can be configured by users through route settings.

Wi-Fi Network Requirements:


- You are using a 2.4 GHz or 2.4/5 GHz mixed network.
- Your router supports 802.11b/g/n and IPv4 protocol.
- Do not use a VPN (Virtual Private Network) or Proxy Server.
- Do not use a hidden network.
- WPA and WPA2 use TKIP, PSK, and AES/CCMP encryption.
- WEP EAP (Enterprise Authentication Protocol) is not supported.
- Use Wi-Fi channels 1-11 in North America and 1-13 outside North America (refer to local regulatory agency).
- If you use a network extender/repeater, the network name (SSID) and password are the same as your primary network.
- Please enable WPA2 on your router.

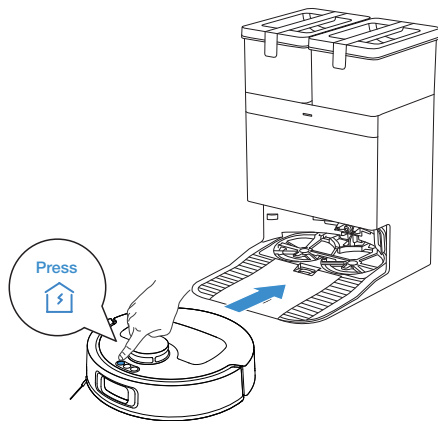
Wi-Fi Indicator Light

	Slow flashing white light	Disconnected from Wi-Fi
	Fast flashing white light	Connecting
	Steady white light	Connected to Wi-Fi

Please be aware that intelligent features such as remote startup, voice interaction, 2D/3D map display and control settings, and personalized cleaning (depending on the Appliance) require the ECOVACS HOME App, which is constantly updated. You need to agree to our Privacy Policy and User Agreement so that we can process some of your essential and necessary information before you can use certain features of the ECOVACS HOME App to control the Appliance. If you disagree with our Privacy Policy and User Agreement, such features will be unavailable. However, you can still use the basic features of this Appliance for manual operation.

6 Power on and Charge the robot

Use the ECOVACS HOME App to recall the robot, or press  on the robot to allow it to dock for charging.

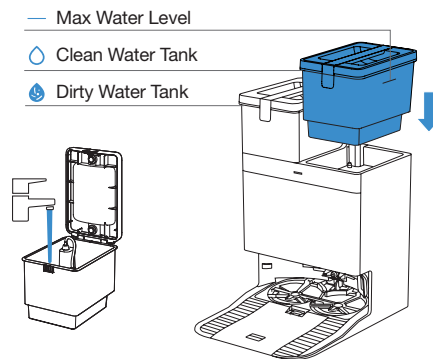


Note:

- When the robot is not in use, keep it powered on and charging.
- It is recommended to start cleaning from the station. Do not move the station while cleaning.

7 Fill the Clean Water Tank

Take out the clean water tank, open the tank cover, and fill the tank with water up to the maximum water level. Close the tank cover and re-install the clean water tank.

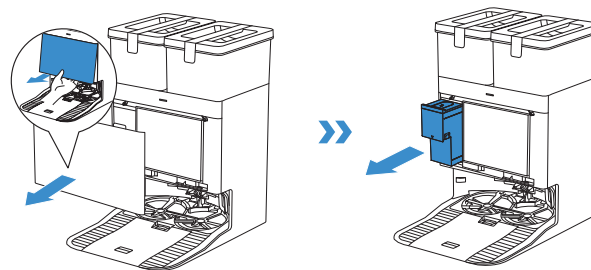


Note:

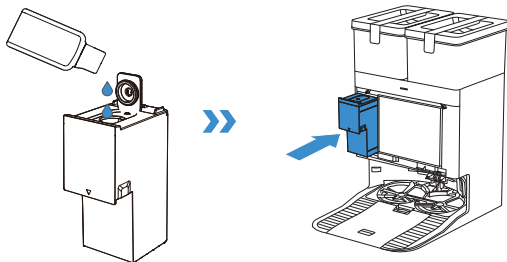
- Use a clean, dry cloth to wipe off any water on the surface of the tank before placing it in position.
- Make sure to lock the top covers of both water tanks securely before use.
- Any water marks in the water tanks are from function testing. Please use it with confidence.

8 Add Cleaning Solution (sold separately)

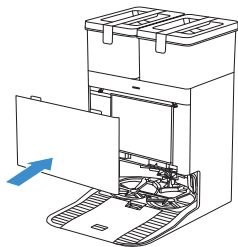
1. Take off the dust collection cabin cover, pull out the cleaning solution unit, and place it on a level, hard surface.



2. Unlid the cleaning solution unit and fill it with ECOVACS cleaning solution (sold separately). Put the lid on and the unit back to the station.



3. Place the fit joints at the upper edge of the dust collection cabin cover and press the lower part of it to install it properly.



Note:

- Cleaning solution is pumped automatically from the cleaning solution unit. Do not add cleaning solution to the water tanks.
- For better performance and longer lifespan of the product, please use ECOVACS DEEBOT cleaning solution (sold separately).
- Please make sure that no foreign objects fall into the cleaning solution unit.

9 Operate the robot

1. Start Mapping


When creating a map for the first time, please follow the robot to help resolve some minor issues.

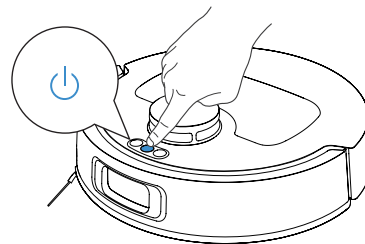
For example, the robot may get stuck under furniture. Please refer to the following solutions:

- ① Raise the low-sitting furniture if possible;
- ② Cover the bottom of the furniture;
- ③ Set up a virtual boundary via the App.

2. Start Cleaning

- The robot's water tank is automatically refilled through the station. Manual refilling is not needed.
- When mopping, the robot will recognize floor types and is able to lift mops automatically when encountering carpets. Please do not use the robot on shaggy rugs or carpets with fibres longer than 9 mm. It is recommended to fold up the shaggy rugs with fibres longer than 9 mm during the cleaning process, or set the shaggy carpeted area as a no-entry zone by setting virtual boundary in the ECOVACS HOME App.


Please ensure that the robot is in the station and is fully charged before cleaning for the first time. Tap  on the robot to start. You can also use the ECOVACS HOME App to start.




Note:

- Do not frequently remove washable mopping pads.
- Do not scratch the mopping pad plates with a rag or other objects.
- Replace the mopping pads in time as prompted by the App. Explore more accessories in the ECOVACS HOME App or at <https://www.ecovacs.com>.


3. Pause

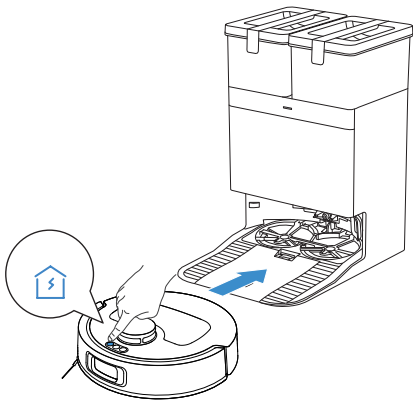
Tap  on the robot to pause it while it is working. You can also use the ECOVACS HOME App to pause the robot.

4. Wake up

After pausing for a while, all indicator lights on the robot will go out. To wake up the robot, press .

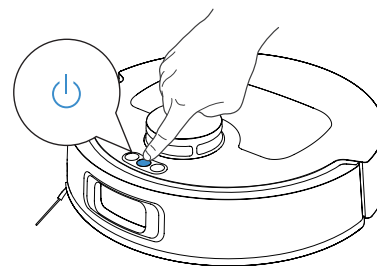
5. Back to Station

Use the ECOVACS HOME App to recall the robot, or press the  button on the robot to allow the robot to dock for charging.



6. Deep Sleep Mode

The robot will enter deep sleep mode if it stays outside the station for about 10 h to protect the battery. Please switch OFF and ON to wake the robot up.



TECHNICAL SPECIFICATIONS

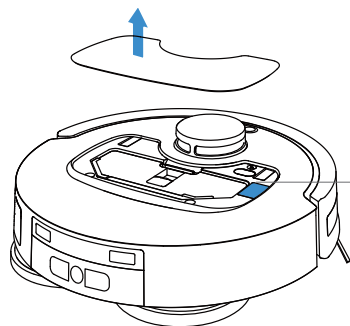
Model	DLX71		
Rated Input	20V === 2A	Charging Time	about 4.5h
Station Model	CH2471		
Rated Input	220-240V ~ 50-60Hz	Rated Output	20V === 2A
Rated Input Current(Charging)	0.5A	Power(Emptying)	650W
Power(Hot Water Washing Mop)	1650W		
Frequency Bands	2400-2483.5 MHz		
Networked Standby Power	Less than 2.00W		

Output power of the wireless module is less than 100mW.

Note: Technical and design specifications may be changed for continuous product improvement.

Explore more accessories at <https://www.ecovacs.com>.

Based on product requirements (functionality and user experience), our products use a non-ultra-low power appliance architecture, so there is no off mode and no standby mode. After the machine is fully charged, it will enter the network standby mode within 20 minutes. Networked standby mode power is 1.5 W.



Please use the mobile camera to scan the QR code and obtain the user guide.

WICHTIGE SICHERHEITSHINWEISE

WICHTIGE SICHERHEITSHINWEISE

Beim Einsatz eines Elektrogeräts sollten die folgenden Grundregeln beachtet werden:

BEACHTEN SIE ALLE ANWEISUNGEN VOR DEM GEBRAUCH DIESES GERÄTS BEWAHREN SIE DIESE ANWEISUNGEN AUF

1. Dieses Gerät kann von Kindern ab 8 Jahren und Personen mit eingeschränkten körperlichen, sensorischen oder geistigen Fähigkeiten oder fehlender Erfahrung und Kenntnis benutzt werden, wenn sie in den sicheren Gebrauch eingewiesen sind oder beaufsichtigt werden und die innewohnenden Gefahren verstehen. Kinder dürfen nicht mit dem Gerät spielen. Wartung und Reinigung dürfen Kinder nicht ohne Aufsicht durchführen.
2. Räumen Sie den Reinigungsbereich frei. Entfernen Sie Stromkabel und kleine Gegenstände vom Boden, in denen sich das Gerät verfangen könnte.
3. Falten Sie Teppichfransen unter den Teppich und heben Sie auf den Boden hängende

Vorhänge und Tischdecken hoch.

4. Wenn der Reinigungsbereich aufgrund einer Stufe oder Treppe abfällt, sollten Sie das Gerät so bedienen, dass es den Höhenwechsel erkennen kann, ohne über die Kante zu fallen. Unter Umständen kann eine Schranke vor diesem Bereich einen Absturz des Geräts verhindern. Achten Sie dabei auf eine stolperfreie Absperrung.
5. Verwenden Sie das Gerät nur gemäß den Betriebsanleitungen. Nur vom Hersteller empfohlenes oder verkaufte Zubehör verwenden.
6. NUR für den Hausgebrauch im INNENBEREICH. Gerät nicht im Außenbereich oder in gewerblichen oder industriellen Umgebungen verwenden.
7. Nicht ohne Staubbehälter und/oder Filter verwenden.
8. Netzschalter vor Entfernen des Staubbehälters ausschalten.
9. Gerät nicht in einer Umgebung betreiben, in der sich brennende Kerzen oder zerbrechliche Gegenstände befinden.
10. Haare, lose Kleidung, Finger und alle Körperteile von Öffnungen und beweglichen Teilen fernhalten.

11. Gerät nicht in einem Raum betreiben, in dem ein Säugling oder Kind schläft.
12. Gerät nicht auf nassen oder Flächen mit stehendem Wasser betreiben.
13. Das Gerät darf keine großen Gegenstände wie Steinen, Papierfetzen ö. ä. aufsaugen, die es verstopfen könnten.
14. Das Gerät darf keine entflammaren oder brennbaren Stoffe wie Benzin, Drucker- oder Kopierertoner aufsaugen. Betreiben Sie es nicht in Bereichen, in denen diese Stoffe vorhanden sein könnten.
15. Mit dem Gerät keine brennenden oder rauchenden Gegenstände wie Zigaretten, Streichhölzer, heiße Asche usw. aufnehmen.
16. Keine Gegenstände in die Saugöffnung stecken. Nicht betreiben, wenn die Saugöffnung blockiert ist. Einlass frei von Staub, Flusen, Haaren oder allem, was den Luftstrom beeinträchtigen könnte, halten.
17. Bei Beschädigung des Netzkabels sollte es aus Sicherheitsgründen vom Hersteller oder seinem Kundendienst ausgetauscht werden.
18. Vor Reinigung oder Wartung Netzschalter ausschalten.
19. Der geeignete Lithium-Akku-Typ für den CH2471 ist ein Block mit bis zu 8 Zellen, max. Nennspannung DC 14,4 V, Nennkapazität 4.800 mAh. Der Akku sollte vor der Entsorgung des Geräts gemäß den Vorschriften entnommen werden.
20. Bitte entsorgen Sie verbrauchte Akkus vorschriftsgemäß.
21. Verbrennen Sie das Gerät nicht, auch wenn es schwer beschädigt ist. Die Akkus können bei einem Brand explodieren.
22. Das Gerät muss entsprechend den Anweisungen in dieser Betriebsanleitung verwendet werden. Ecovacs Home Service Robotics übernimmt keine Haftung oder Verantwortung bei Schäden oder Verletzungen aufgrund von unsachgemäßem Gebrauch.
23. Der Roboter enthält Akkus, die nur von Fachkräften ausgetauscht werden können. Zum Austausch des Roboterakkus wenden Sie sich an den Kundendienst.
24. Die Netzspannung muss der Spannung der OMNI-Station entsprechen.
25. Verwenden Sie nur den Originalakku und die OMNI-Station, die vom Hersteller mit dem Gerät geliefert wurden. Der Betrieb mit Batterien ist untersagt.
26. Achten Sie darauf, das Netzkabel nicht zu beschädigen. Gerät und OMNI-Station nicht am

- Netzkabel ziehen oder tragen. Verwenden Sie das Netzkabel nicht als Griff, klemmen Sie es nicht unter einer Tür ein und ziehen Sie es nicht um scharfe Kanten oder Ecken. Fahren Sie mit dem Gerät nicht über das Netzkabel. Halten Sie das Netzkabel von heißen Oberflächen fern.
27. Verwenden Sie die OMNI-Station nicht, wenn sie beschädigt ist. Bei Beschädigung oder Defekt darf das Netzteil nicht repariert und nicht weiter verwendet werden.
 28. Nicht mit beschädigtem Netzkabel oder Sockel verwenden. Gerät und OMNI-Station nicht betreiben, wenn sie nicht korrekt funktionieren, fallen gelassen oder beschädigt wurden, im Freien standen oder mit Wasser in Berührung kamen. Das Gerät darf nur durch den Hersteller oder seinen Kundendienst repariert werden.
 29. Vor Reinigung oder Wartung der OMNI-Station muss der Stecker aus der Steckdose gezogen werden.
 30. Nehmen Sie das Gerät aus der OMNI-Station und schalten Sie den Netzschalter aus, bevor Sie den Akku entfernen und das Gerät entsorgen.
 31. Wenn Sie die OMNI-Station längere Zeit nicht verwenden, ziehen Sie bitte den Stecker.
 32. Wenn der Roboter längere Zeit nicht benutzt

wird, schalten Sie ihn zur Lagerung aus und ziehen Sie den Netzstecker der OMNI-Station.

33. **WARNUNG:** Geben Sie sauberes Wasser nur in den sauberen Tank.
34. **WARNUNG:** Verwenden Sie zum Aufladen des Akkus nur das mitgelieferte, abnehmbare Netzteil (CH2471).

Gemäß den Vorschriften zur HF-Belastung sollte bei laufendem Gerät ein Mindestabstand von 20 cm zu Personen eingehalten werden.

Zur Einhaltung der Vorschriften ist der Betrieb in geringerer Distanz nicht ratsam. Die Sendeantenne darf nicht mit einer anderen Antenne oder einem anderen Sender in Kontakt gelangen.


Geräteaktualisierung

Normalerweise werden einige Geräte alle zwei Monate aktualisiert, dies ist jedoch nicht immer der Fall.

Einige Geräte, insbesondere solche, die vor mehr als drei Jahren auf den Markt kamen, werden nur aktualisiert, wenn eine kritische Sicherheitslücke gefunden und behoben wird.

Um die aktuelle Softwareversion zu überprüfen und automatische Updates zu aktivieren, gehen Sie in der App zu Einstellungen > Erweiterte Robotereinstellungen > Über Ihren Roboter >

Update. Die aktuelle Version wird dort angezeigt. Tippen Sie auf Update, um die Seite aufzurufen, und wählen Sie Automatisches Update, um es zu aktivieren.

	Achtung: heiße Oberfläche
	Kurzschlussfester Sicherheitstrafo
	Schaltnetzteil
	Nur für den Innenbereich
	Gleichstrom
	Wechselstrom
	Lesen Sie vor dem Aufladen die Anleitung.
	Polarität des Ladeports
	Zeitgesteuerte Miniaturversicherung

Die Fernüberwachung darf nur zum reinen Selbstschutz und zur Einzelkontrolle von nicht-öffentlichen, in Privatbesitz befindlichen Orten eingesetzt werden. Bitte beachten Sie bei Betrieb die geltenden datenschutzrechtlichen Bestimmungen. Keine Überwachung öffentlicher Orte, insbesondere nicht mit heimlicher Absicht und/oder seitens des Arbeitgebers ohne berechtigten Grund. Eine solche nicht gerechtfertigte Verwendung erfolgt ausschließlich auf Risiko und Verantwortung des Betreibers.

EU-Konformitätserklärung

Benutzerinformationen zur Entsorgung von Elektro- und Elektronikaltgeräteabfall



Dieses Symbol auf dem Produkt oder seiner Verpackung weist darauf hin, dass gebrauchte Elektro- und Elektronikprodukte nicht mit unsortiertem Hausmüll vermengt werden dürfen. Für eine ordnungsgemäße Behandlung liegt es in Ihrer Verantwortung, Ihre Abfallgeräte zu entsorgen, indem Sie sie an die dafür vorgesehenen Sammelstellen zurücksenden. Die korrekte Entsorgung dieses Produkts trägt dazu bei, wertvolle Ressourcen zu sparen und mögliche negative Auswirkungen auf die menschliche Gesundheit und die Umwelt zu vermeiden, die andernfalls durch unsachgemäße Abfallbehandlung entstehen könnten. Zur Rückgabe Ihres gebrauchten Gerätes nutzen Sie bitte die Rückgabe- und Sammelsysteme (weitere Informationen dazu bei Ihren Behörden vor Ort), oder wenden Sie sich an den Händler, bei dem Sie das Produkt gekauft haben. Die Rückgabe ist kostenlos. Für die falsche Entsorgung dieser Abfälle können gemäß Ihren nationalen Rechtsvorschriften Strafen verhängt werden.

Informationen zur Entsorgung von Altbatterien



Dieses Symbol bedeutet, dass Batterien und Akkumulatoren am Ende ihrer Lebensdauer nicht mit unsortiertem Hausmüll vermischt werden dürfen. Ihre Teilnahme ist ein wichtiger Teil der Bemühungen, die Auswirkungen von Batterien und Akkumulatoren auf die Umwelt und die menschliche Gesundheit zu minimieren. Für ein ordnungsgemäßes Recycling können Sie dieses Produkt oder die darin enthaltenen Batterien oder Akkus an Ihren Lieferanten oder an eine dafür vorgesehene Sammelstelle zurücksenden, die kostenlos ist. Die korrekte Entsorgung dieses Produkts trägt dazu bei, wertvolle Ressourcen zu sparen und mögliche negative Auswirkungen auf die menschliche Gesundheit und die Umwelt zu vermeiden, die andernfalls durch unsachgemäße Abfallbehandlung entstehen könnten. Für die falsche Entsorgung dieser Abfälle können vorschriftsgemäße Strafen verhängt werden. Es gibt separate Sammelsysteme für gebrauchte Batterien und Akkus. Bitte entsorgen Sie Batterien und Akkus ordnungsgemäß in Ihrem örtlichen Abfallsammel/Recyclingzentrum.

Richtlinie zur Beschränkung der Verwendung bestimmter gefährlicher Stoffe (RoHS)

Ecovacs Home Service Robotics Co., Ltd. erklärt hiermit, dass das gesamte Produkt einschließlich der Teile (Kabel, Schnüre usw.) die Anforderungen der RoHS-Richtlinie 2011/65/EU und der Änderung der Delegierten Richtlinie (EU) der Kommission 2015/863 über die Beschränkung der Verwendung bestimmter gefährlicher Stoffe in elektrischen und elektronischen Geräten ("RoHS-Neufassung" oder "RoHS 2.0") erfüllt.

Funkanlagenrichtlinie

Ecovacs Home Service Robotics Co., Ltd. erklärt hiermit, dass das in diesem Abschnitt aufgeführte Produkt den grundlegenden Anforderungen und anderen relevanten Bestimmungen der Funkanlagenrichtlinie 2014/53/ EU entspricht.

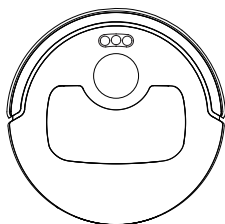
Bevollmächtigter Vertreter in Europa:

 ECOVACS Europe GmbH
Holzstraße 2 | 40221 Düsseldorf | Deutschland

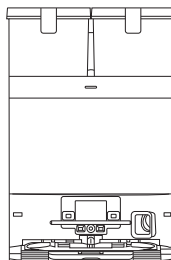
Ecovacs Home Service Robotics Co., Ltd. erklärt hiermit, dass das Produkt die grundlegenden Anforderungen und andere relevanten Bestimmungen der RoHS-Richtlinie 2011/65/EU und der Änderung der Delegierten Richtlinie (EU) der Kommission 2015/863, die Funkanlagenrichtlinie 2014/53/EU und die Maschinenrichtlinie 2006/42/EG erfüllt. Die Konformitätserklärung kann unter folgender Adresse eingesehen werden: <https://www.ecovacs.com/global/compliance>.

KOMPONENTEN IN DER PACKUNG

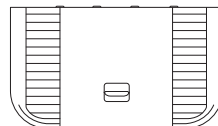
1 PACKUNGSIHALT



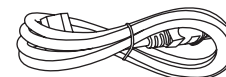
Roboter



OMNI-Station



Basis



Netzkabel



Seitenbürste

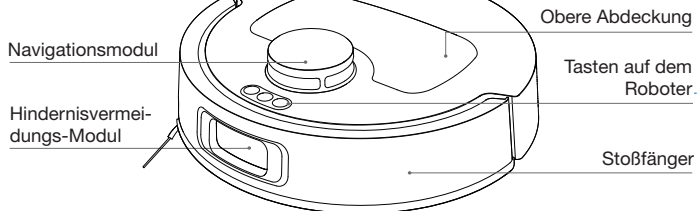


Betriebsanleitung

* Die Abbildungen in dieser Anleitung dienen nur als Referenz und können vom Gerät abweichen. Produktdesign und technische Daten können ohne Vorankündigung geändert werden.

2 PRODUKTDIAGRAMM

Roboter



Tasten

- Drücken: Rückkehr zur Station Gedrückt halten: Selbstreinigung (Roboter nicht in der Station)
- Drücken: Zwischen Start/Pause/ Fortsetzen umschalten Gedrückt halten: Einschalten/Ausschalten
- Drücken: Punktreinigung starten/beenden Gedrückt halten: Kindersicherung aktivieren/deaktivieren

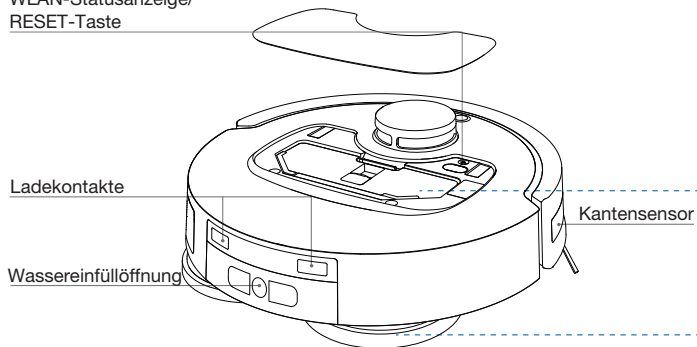
Innerhalb des Roboters (unter der oberen Abdeckung)

RESET-Taste

Netzwerkeinrichtung: Drücke die RESET-Taste. Danach hörst du die Sprachaufforderung, den Roboter mit der APP zu verbinden.

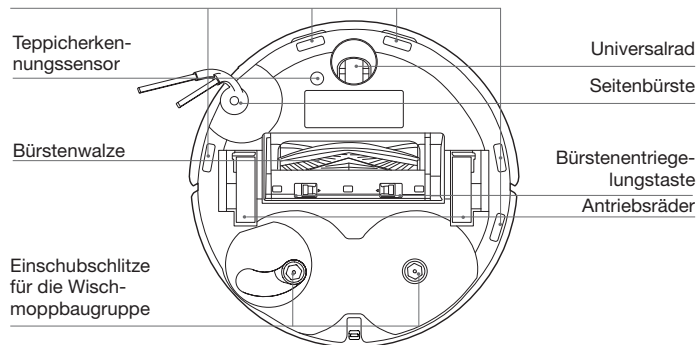
Auf Standardeinstellungen zurücksetzen: Halte die RESET-Taste 5 s lang gedrückt. Nachdem du die Sprachaufforderung gehört hast, wird die Startmusik abgespielt und der Roboter wird auf die Standardeinstellungen zurückgesetzt.

WLAN-Statusanzeige/
RESET-Taste



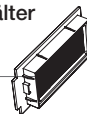
Untere Rückansicht

Absturzsensoren

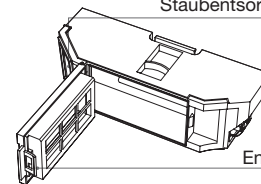


Staubbehälter

Filter



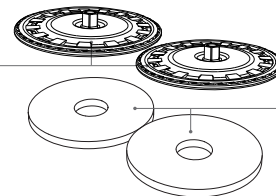
Staubentsorgungsanschluss



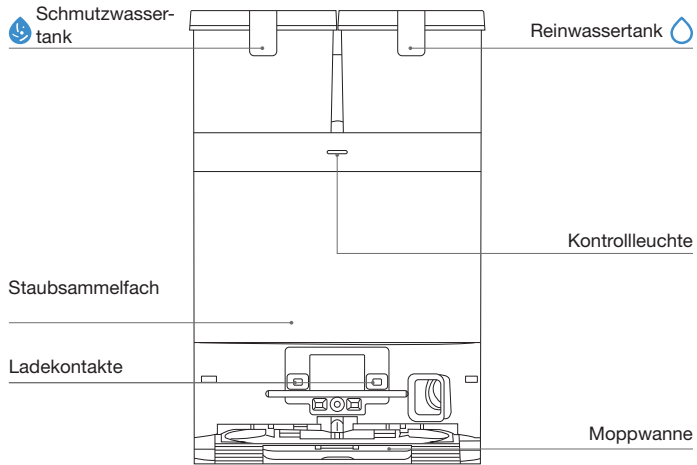
Entriegelungstaste

Wischarmopplplatte

Wischarmopplplatte



OMNI-Station

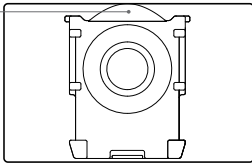


Hinweis:

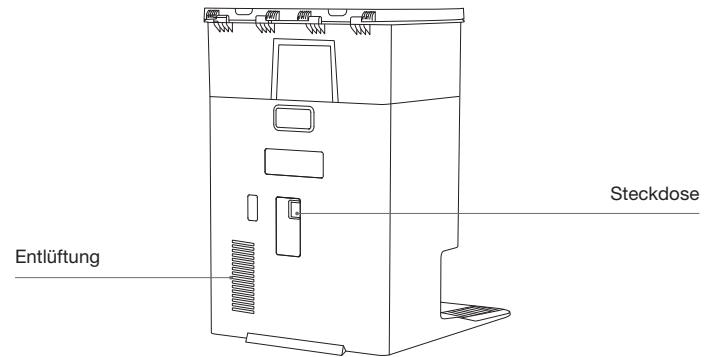
- Rot blinkend: Bitte überprüfe die ECOVACS HOME-App, um den Grund der Anzeige zu erfahren.
- Wenn der Roboter nicht aufgeladen werden kann, wische die Ladekontakte bitte mit einem sauberen und trockenen Tuch ab.

Staubbeutel

Staubbeutelgriff



OMNI-Station (Rückseite)



3 Kontrollleuchte

	Lichteffect	Status
Roboter	Pulsierend weiß	Wird aufgeladen
	Durchgehend weiß	Vollständig aufgeladen/In Betrieb
	Weißes Licht blinkt 1-mal	Netzschalter gedrückt, Aufgabe gestartet/unterbrochen/ fortgesetzt
	Durchgehend rot	Niedriger Akkustand
	Blinkend rot	Alarm
Station	Durchgehend weiß	Standby/In Betrieb
	Blinkend rot	Fehlfunktion
	Aus	Stromausfall/Tiefschlafmodus

4 Übersicht über Sensoren

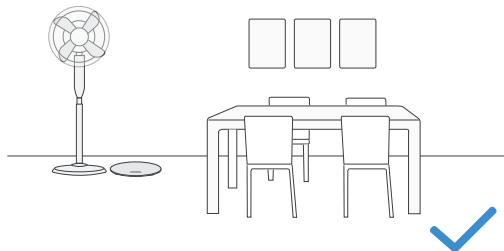
Name	Funktionsbeschreibung
Navigationsmodul	Die Laser-Abstandsmessung ermittelt den Abstand zwischen Roboter und umstehenden Objekten anhand der Lichtlaufzeit, so dass das Modul diese Objekte kartieren kann, während der Roboter fährt. Die Erfassungsreichweite beträgt 8 m.
Hindernisvermeidungs-Modul	Mittels Laser-Abstandsmessung und Triangulation wird der Abstand zwischen dem Roboter und umgebenden Hindernissen gemessen. Der Sensor sendet Laserstrahlen aus und empfängt das von vorausliegenden Hindernissen reflektierte Licht. Wenn ein Hindernis in der Nähe erkannt wird, dreht sich der Roboter automatisch, um ihm auszuweichen. Die Erfassungsreichweite beträgt 0,3 m.
Absturzsensoren	Mithilfe der Infrarot-Abstandsmessung wird der Abstand zwischen der Unterseite des Roboters und dem Boden durch die Infrarot-Sensoren an der Unterseite erkannt. Der Roboter bewegt sich nicht vorwärts, wenn sich vor ihm eine nach unten führende Treppe befindet (wenn die Höhe der weißen Oberfläche 55 mm oder mehr beträgt oder wenn die Höhe der schwarzen Oberfläche 30 mm oder mehr beträgt) und der erkannte Abstand den voreingestellten Abstand überschreitet, wodurch die Absturzsicherungsfunktion ermöglicht wird.
Teppicherkennungssensor	Der Sensor sendet Ultraschall mit 300 kHz aus, dessen Energie vom Teppich absorbiert wird, sodass die als Echo zurückgesendete Energie unter dem Schwellenwert liegt. Dadurch erkennt der Roboter das Vorhandensein eines Teppichs. Im ECOVACS-Labor wurden mehr als 50 auf dem Markt erhältliche Arten von Teppichen identifiziert.
Antikollisionssensor	Mithilfe des Optokopplerschalter-Prinzips kann der Roboter Hindernissen ausweichen, wenn eine Kollision bevorstehen würde.
Kantensensor	Mithilfe der Infrarot-Distanzmessung kann der Kantensensor den Abstand zwischen dem Roboter und Objekten auf der Seite erkennen. Wenn sich auf der rechten Seite eine Wand oder ein Hindernis befindet, führt der Roboter eine Kantenreinigung durch, um das Auslassen von Stellen sowie Kollisionen zu vermeiden.

ANFÄNGLICHE EINRICHTUNG UND VERWENDUNG

1 Hinweise vor der Reinigung

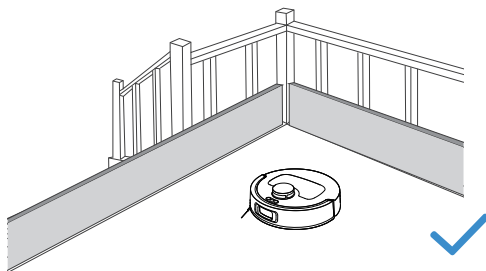
Räume den zu reinigenden Bereich auf

Um eine möglichst große Reinigungsfläche zu erhalten, musst du Möbel wie Tische, Stühle und Standventilatoren richtig platzieren und tief liegende Gegenstände wie Waagen wegräumen, bevor du den Roboter verwendest.



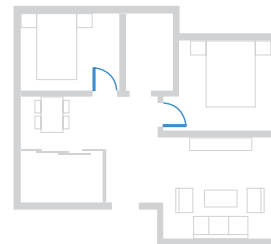
Verhindere, dass der Roboter herunterfällt

Platziere eine physische Barriere am Rand einer potenziellen Absturzstelle, beispielsweise einer Treppe oder Stufe, um zu verhindern, dass der Roboter über die Kante fällt.



Öffne Türen und unterstütze den Roboter beim Erkunden

Öffne alle Zimmertüren, damit der Roboter bei der ersten Reinigung dein Haus besser vollständig erkunden kann.



Um die Reinigungseffizienz zu optimieren, entferne Gegenstände wie Kabel, Kleidung und Hausschuhe vom Boden.



Bevor du das Produkt auf einem Teppich mit Fransenrändern verwendest, falte bitte die Fransen unter den Teppich.



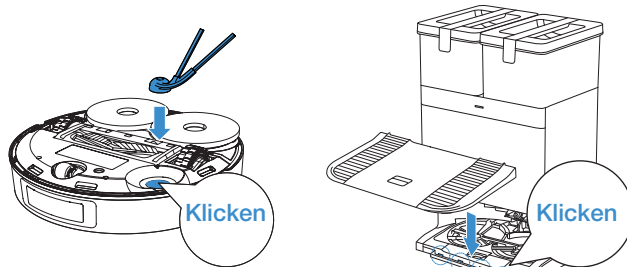
Bitte stehe nicht in engen Räumen wie etwa Fluren, um TrueMapping nicht zu blockieren.

2 Schnellstart

Entferne vor der Verwendung des Geräts sämtliche Schutzmaterialien.

1. Montage

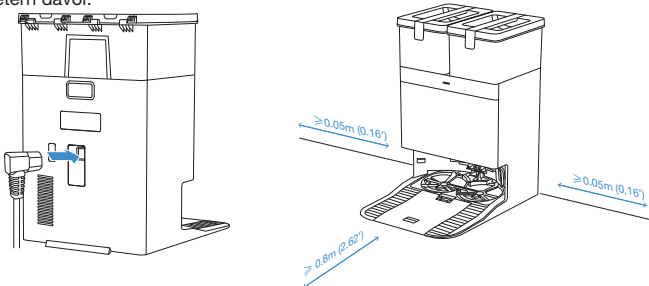
Das Klickgeräusch zeigt die ordnungsgemäße Installation an.



2. Zusammenbau und Aufstellung der Station

Stelle die OMNI-Station auf einer ebenen, harten Oberfläche an eine Wand.

Platziere keine Gegenstände im Umkreis von 0,05 Metern zu beiden Seiten und 0,8 Metern davor.

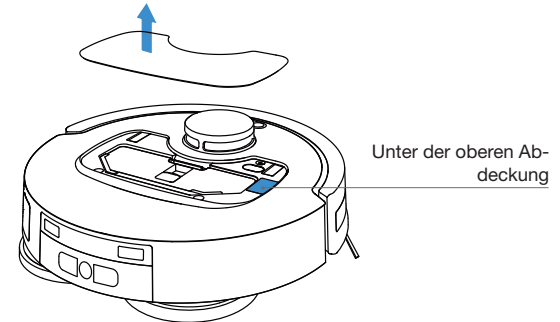


- Wenn sich in der Nähe der Station reflektierende Gegenstände wie Spiegel und reflektierende Sockelleisten befinden, sollten sie am Boden etwa 14 cm hoch abgedeckt werden.
- Setze die Station keinem direkten Sonnenlicht aus.
- Stelle die Station an einem Ort mit starkem WLAN-Signal auf, um die Benutzererfahrung zu verbessern.
- Verwende das Gerät nicht auf nassen Oberflächen oder Oberflächen mit stehendem Wasser.
- Wische den Roboter und die Station nicht mit einem feuchten Tuch ab und verwende auch keine Flüssigkeiten.

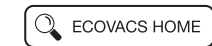
3 Herunterladen der ECOVACS HOME APP

Um alle verfügbaren Funktionen nutzen zu können, wird empfohlen, deinen Roboter über die App ECOVACS HOME zu steuern.

1. Scanne den QR-Code unter der oberen Abdeckung, um die App herunterzuladen.



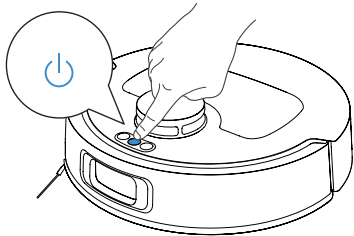
2. Suche im App Store oder bei Google Play nach „ECOVACS HOME“, um die App herunterzuladen.



Hinweis: Folge den Anweisungen in der App, um die Registrierung, Anmeldung und Verbindung abzuschließen.

4 Roboter einschalten

1. Schalte den Netzschalter ein und stelle den Roboter vor die am Stromnetz angeschlossene Station.



5 Verbinden des Roboters mit der APP

Name	Beschreibung
Infrarotschnittstelle	Die Infrarotschnittstelle ist standardmäßig deaktiviert und wird aktiviert, wenn sich der Roboter in der Ladestation befindet. Wenn sich der DEEBOT in der Ladestation befindet, kommuniziert er über die Infrarotschnittstelle mit der Ladestation.
WLAN*	Vermittelt die Datenübertragung zwischen App und Roboter, damit er über die App gesteuert werden kann.
ECOVACS HOME-App	ECOVACS-Produkte enthalten intelligente Funktionen wie Netzwerkeinrichtung, Kartierung und Auswahl des Reinigungsmodus (produktspezifisch). Sie setzen voraus, dass die offizielle App „ECOVACS Home“ heruntergeladen und installiert worden ist.

• Die Roboterstaubsauger der Roboterserie sind für die Reinigung im Privatbereich vorgesehen. Der Betrieb erfordert privates WLAN. Der DDoS-Schutz kann über die Routeneinstellungen konfiguriert werden.

WLAN-Netzwerkanforderungen:


- Verwendung eines 2,4-GHz- oder eines gemischten 2,4/5-GHz-Netzwerks.
- Der Router unterstützt das 802.11b/g/n- und IPv4-Protokoll.
- Kein VPN (Virtual Private Network) und keinen Proxy-Server verwenden.
- Kein verstecktes Netzwerk verwenden.
- Bei Verwendung eines Netzwerk-Extenders/Repeaters müssen der Netzwerkname (SSID) und das Passwort dieselben wie bei deinem primären Netzwerk sein.
- WPA2 muss auf dem Router aktiviert sein.

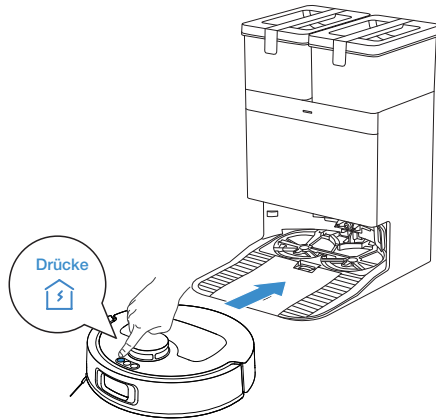
WLAN-Anzeigeleuchte

	Langsam blinkendes weißes Licht	Verbindung zum WLAN getrennt
	Schnell blinkendes weißes Licht	Verbindungsaufbau
	Durchgehend leuchtendes weißes Licht	Mit WLAN verbunden

Bitte beachte, dass die Realisierung intelligenter Funktionen wie Fernstart, Sprachinteraktion, 2D/3D-Kartenanzeige und Steuerungseinstellungen sowie personalisierte Reinigung (je nach Gerät) die ECOVACS HOME-App erfordert, die ständig aktualisiert wird. Du musst unserer Datenschutzrichtlinie und Benutzervereinbarung zustimmen, damit wir einige deiner wesentlichen und notwendigen Informationen verarbeiten können, bevor du bestimmte Funktionen der ECOVACS HOME-App zur Steuerung des Geräts nutzen kannst. Wenn du mit unserer Datenschutzrichtlinie und unserer Benutzervereinbarung nicht einverstanden bist, stehen dir diese Funktionen nicht zur Verfügung. Du kannst jedoch weiterhin die grundlegenden Funktionen dieses Geräts für die manuelle Bedienung nutzen.

6 Schalte den Roboter ein und lade ihn auf

Rufe den Roboter mit der ECOVACS HOME-App zurück oder drücke die  -Taste am Roboter, um ihn zum Aufladen anzudocken.

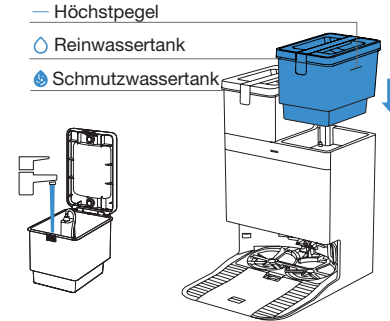


Hinweis:

- Wenn der Roboter nicht läuft, lasse ihn am besten eingeschaltet und lade ihn auf.
- Es wird empfohlen, dass der Roboter die Reinigung von der Station aus beginnt. Bewege die Station während der Reinigung nicht.

7 Befülle den Reinwassertank

Nimm den Reinwassertank heraus, öffne den Tankdeckel und befülle den Tank bis zum Höchstpegel mit Wasser. Schließe den Tankdeckel und setze den Reinwassertank wieder ein.

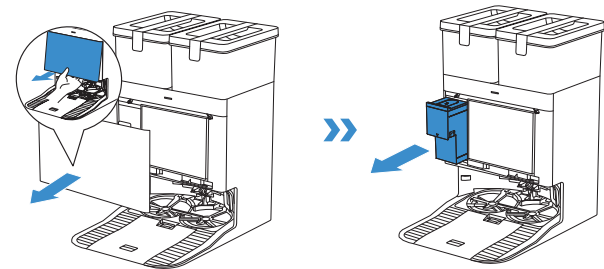


Hinweis:

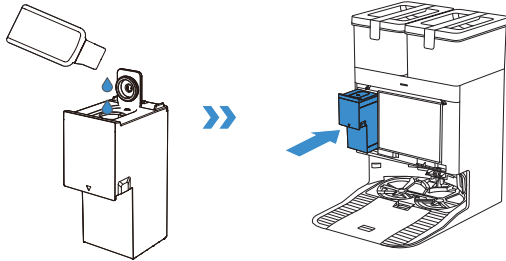
- Wische das Wasser mit einem sauberen, trockenen Tuch von der Oberfläche des Tanks ab, bevor du ihn einsetzt.
- Bitte denke daran, die oberen Abdeckungen beider Wassertanks vor Verwendung sicher zu verschließen.
- Eventuelle Wasserflecken in den Wassertanks stammen aus der Funktionsprüfung. Du musst dir bei der Verwendung keine Sorgen machen.

8 Zugabe von Reinigungslösung (separat erhältlich)

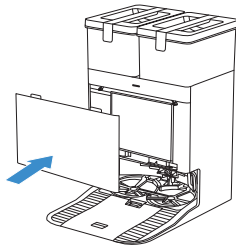
1. Nimm die Abdeckung des Staubsammelfachs ab, ziehe den Lösungsmitteltank heraus und stelle ihn auf eine ebene, harte Fläche.



2. Öffne den Tankdeckel und befülle ihn mit ECOVACS-Reinigungslösung (separat erhältlich). Setze den Deckel auf und bringe den Tank wieder an der Station an.



3. Setze die Passtücke an der oberen Kante der Abdeckung des Staubsammelfachs an und drücke den unteren Teil fest an.



Hinweis:

- Das Reinigungsmittel wird automatisch aus dem Lösungsmitteltank abgepumpt. Gib kein Reinigungsmittel in die Wassertanks.
- Zur Leistungssteigerung und Verlängerung der Haltbarkeit des Produkts verwende bitte nur das ECOVACS DEEBOT-Reinigungsmittel (separat erhältlich).
- Achte darauf, dass keine Fremdkörper in den Lösungsmitteltank fallen.

9 Roboter bedienen

1. Kartierung starten


Wenn du zum ersten Mal eine Karte erstellst, folge bitte dem Roboter, um einige kleinere Probleme zu beheben.

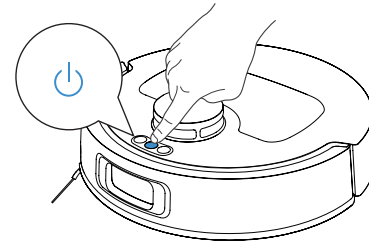
Er kann zum Beispiel unter den Möbeln stecken bleiben. Beachte die folgenden Abhilfemaßnahmen:

- ① Erhöhe tief hinabreichende Möbel, wenn möglich;
- ② Decke den Boden des Möbels ab;
- ③ Richte über die App eine virtuelle Begrenzung ein.

2. Beginn der Reinigung

- Der Wassertank des Roboters wird automatisch durch die Station aufgefüllt. Manuelles Nachfüllen ist nicht erforderlich.
- Beim Wischen erkennt der Roboter den Bodentyp und kann den Wischmopp automatisch anheben, wenn er auf Teppiche trifft. Benutze den Roboter nicht auf Zottel- oder Faserteppichen, die länger als 9 mm sind. Bei Zottelteppichen mit Fasern, die länger als 9 mm sind, ist es besser, wenn sie beim Reinigen zusammengelegt werden oder man den Bereich durch Einstellen der virtuellen Begrenzung auf der ECOVACS HOME-App als verboten definiert.


Bitte stelle sicher, dass sich der Roboter in der Station befindet und vollständig aufgeladen ist, bevor du zum ersten Mal reinigst. Zum Starten tippe auf dem Roboter auf . Du kannst zum Starten auch die ECOVACS HOME-App verwenden.




Hinweis:

- Die waschbaren Wischmopps sollten nicht häufig entfernt werden.
- Zerkratze die Wischmoppplatten nicht mit einem Lappen oder anderen Gegenständen.
- Wechsle die Wischmopps bei entsprechender Aufforderung durch die App rechtzeitig aus. Weiteres Zubehör findest du in der ECOVACS HOME App oder unter <https://www.ecovacs.com>.


3. Unterbrechen

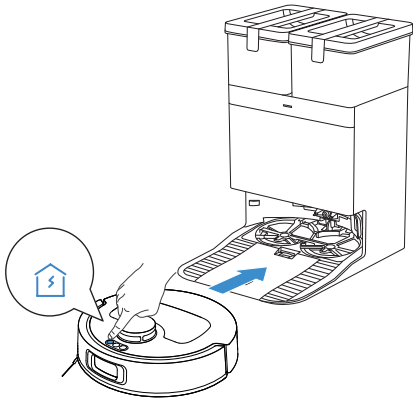
Tippe am Roboter auf , um ihn während der Arbeit anzuhalten. Du kannst zum Anhalten auch die ECOVACS HOME App verwenden.

4. Aufrufen

Nach einer kurzen Pause erlöschen alle Anzeigeleuchten am Roboter. Zum Aufwecken des Roboters drücke .

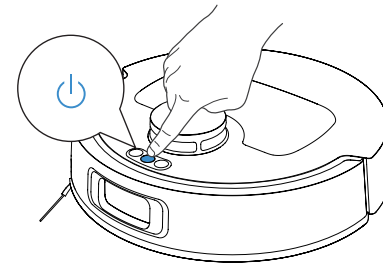
5. Zurück zur Ladestation

Rufe den Roboter mit der ECOVACS HOME-App zurück oder drücke die -Taste am Roboter, um den Roboter zum Aufladen anzudocken.



6. Tiefschlafmodus

Um den Akku zu schützen, wechselt der Roboter in den Tiefschlafmodus, wenn er sich etwa 10 Stunden außerhalb der Station befindet. Zum Aufwecken schalte den Roboter bitte aus und wieder ein.



TECHNISCHE SPEZIFIKATIONEN

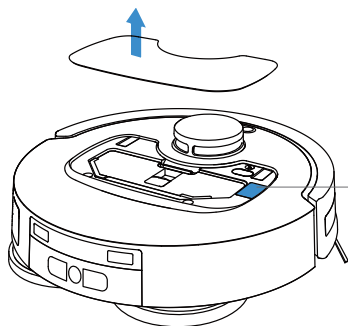
Modell	DLX71		
Nenneingang	20 V === 2 A	Ladezeit	ca. 4,5 h
Stationsmodell	CH2471		
Nenneingang	220-240 V ~ 50-60 Hz	Nennausgangsleistung	20 V === 2 A
Nenneingangsstrom (Ladevorgang)	0,5 A	Leistung (Entleerung)	650 W
Leistung (Wischmopp mit heißem Wasser)	1650 W		
Frequenzbänder	2400-2483.5 MHz		
Standby-Leistung bei Netzbetrieb	Höchstens 2,00 W		

Die Ausgangsleistung des kabellosen Moduls beträgt weniger als 100 mW.

Hinweis: Technische und gestalterische Spezifikationen können aufgrund kontinuierlicher Produktverbesserung geändert werden.

Weiteres Zubehör findest du unter <https://www.ecovacs.com>.

Aufgrund der Produkthanforderungen (Funktion und Benutzererfahrung) verwenden unsere Produkte keine ultra-niedrige Leistung Gerätearchitektur, daher gibt es keinen Ausschaltmodus und keinen Stand-by-Modus. Nachdem das Gerät vollständig aufgeladen ist, wird es innerhalb von 20 Minuten in den Netzwerkbereitschaftsmodus wechseln. Der Stromverbrauch im Netzwerkbereitschaftsmodus beträgt 1.5 W.



Bitte scanne den QR-Code mit der Handykamera und erhalte die Bedienungsanleitung.

CONSIGNES DE SÉCURITÉ IMPORTANTES

CONSIGNES DE SÉCURITÉ IMPORTANTES

Lors de l'utilisation d'un appareil électrique, des précautions de base doivent toujours être respectées, notamment les suivantes :

LISEZ TOUTES LES INSTRUCTIONS AVANT D'UTILISER CET APPAREIL CONSERVEZ CE MANUEL D'UTILISATION.

1. Cet appareil peut être utilisé par des enfants âgés de 8 ans et plus et par des personnes ayant des capacités physiques, sensorielles ou mentales réduites ou manquant d'expérience et de connaissances s'ils ont reçu une surveillance ou des instructions concernant l'utilisation de l'appareil de manière sûre et comprennent les dangers encourus. Les enfants ne doivent pas jouer avec l'appareil. Le nettoyage et l'entretien ne doivent pas être effectués par des enfants sans surveillance.
2. Dégagez la zone à nettoyer. Retirez les cordons d'alimentation et les petits objets du sol qui pourraient emmêler l'appareil.
3. Rentez les franges du tapis sous la base du tapis et soulevez les objets tels que les rideaux et les nappes du sol.
4. S'il y a une pente dans la zone de nettoyage en










raison d'une marche ou d'un escalier, vous devez utiliser l'appareil pour vous assurer qu'il peut détecter la marche sans tomber par-dessus bord. Il peut s'avérer nécessaire de placer une barrière physique sur le bord pour empêcher l'unité de tomber. Assurez-vous que la barrière physique ne constitue pas un risque de trébuchement.

5. Utiliser uniquement comme décrit dans ce manuel. Utilisez uniquement les accessoires recommandés ou vendus par le fabricant.
6. Pour usage domestique et en INTÉRIEUR UNIQUEMENT. N'utilisez pas l'appareil dans des environnements extérieurs, commerciaux ou industriels.
7. N'utilisez pas l'appareil sans bac à poussière et/ou filtres en place.
8. Éteignez l'interrupteur d'alimentation avant de retirer le bac à poussière.
9. N'utilisez pas l'appareil dans une zone où se trouvent des bougies allumées ou des objets fragiles.
10. Gardez les cheveux, les vêtements amples, les doigts et toutes les parties du corps éloignés des ouvertures et des pièces mobiles.
11. N'utilisez pas l'appareil dans une pièce où dort un nourrisson ou un enfant.
12. N'utilisez pas l'appareil sur des surfaces humides

- ou sur des surfaces contenant de l'eau stagnante.
13. Ne laissez pas l'appareil aspirer de gros objets tels que des pierres, de gros morceaux de papier ou tout autre objet susceptible d'obstruer l'appareil.
 14. N'utilisez pas l'appareil pour aspirer des matières inflammables ou combustibles telles que de l'essence, du toner d'imprimante ou de copieur, et ne l'utilisez pas dans des zones où ils peuvent être présents.
 15. N'utilisez pas l'appareil pour ramasser des objets qui brûlent ou qui fument, comme des cigarettes, des allumettes, des cendres chaudes ou tout ce qui pourrait provoquer un incendie.
 16. Ne placez pas d'objets dans la prise d'aspiration. Ne l'utilisez pas si la prise d'aspiration est obstruée. Gardez l'admission exempte de poussière, de peluches, de cheveux ou de tout ce qui pourrait réduire le flux d'air.
 17. Si le cordon d'alimentation est endommagé, il doit être remplacé par le fabricant ou son technicien pour éviter tout risque.
 18. Éteignez l'interrupteur d'alimentation avant de nettoyer ou d'entretenir l'appareil.
 19. Le type de batterie au lithium adapté au CH2471 est de 8 cellules max., tension nominale max. 14,4 V CC, capacité nominale 4 800 mAh. La batterie doit être retirée et jetée conformément aux lois et réglementations locales avant la mise au rebut de l'appareil.
 20. Veuillez éliminer les piles usagées conformément aux lois et réglementations locales.
 21. N'incinerez pas l'appareil même s'il est gravement endommagé. Les piles peuvent exploser en cas d'incendie.
 22. L'appareil doit être utilisé conformément aux instructions de ce manuel d'instructions. Ecovacs Home Service Robotics ne peut être tenu responsable des dommages ou blessures causés par une mauvaise utilisation.
 23. Le robot contient des batteries qui ne peuvent être remplacées que par des personnes qualifiées. Pour remplacer la batterie du robot, veuillez contacter le service client.
 24. Assurez-vous que la tension de votre source d'alimentation correspond à la tension d'alimentation indiquée sur la station OMNI.
 25. Utilisez uniquement la batterie rechargeable d'origine et la station OMNI fournies avec l'appareil par le fabricant. Les piles non rechargeables sont interdites.
 26. Veuillez à ne pas endommager le cordon d'alimentation. Ne tirez pas et ne transportez pas l'appareil ou la station OMNI par le cordon d'alimentation, n'utilisez pas le cordon

- d'alimentation comme poignée, ne fermez pas une porte sur le cordon d'alimentation et ne tirez pas le cordon d'alimentation autour d'arêtes ou de coins tranchants. Ne faites pas passer l'appareil sur le cordon d'alimentation. Gardez le cordon d'alimentation éloigné des surfaces chaudes.
27. N'utilisez pas la station OMNI si elle est endommagée. L'alimentation électrique ne doit pas être réparée et ne doit plus être utilisée si elle est endommagée ou défectueuse.
 28. Ne pas utiliser si le cordon d'alimentation ou la prise sont endommagés. N'utilisez pas l'appareil ou la station OMNI s'il ne fonctionne pas correctement, s'il est tombé, s'il est endommagé, s'il est laissé à l'extérieur ou s'il est entré en contact avec de l'eau. Il doit être réparé par le fabricant ou son agent de service afin d'éviter tout danger.
 29. La fiche doit être retirée de la prise avant de nettoyer ou d'entretenir la station OMNI.
 30. Retirez l'appareil de la station OMNI et éteignez l'interrupteur d'alimentation de l'appareil avant de retirer la batterie pour la mise au rebut de l'appareil.
 31. Lorsque vous n'utilisez pas la station OMNI pendant une longue période, veuillez la débrancher.
 32. Si le robot n'est pas utilisé pendant une longue période, éteignez-le pour le ranger et débranchez la station OMNI.
 33. **AVERTISSEMENT** - Ajoutez de l'eau propre uniquement dans le réservoir propre.
 34. **AVERTISSEMENT** : Pour recharger la batterie, utilisez uniquement l'unité d'alimentation amovible CH2471 fournie avec cet appareil.
- Pour satisfaire aux exigences d'exposition aux RF, une distance de séparation de 20 cm ou plus doit être maintenue entre cet appareil et les personnes pendant son fonctionnement.
- Pour garantir la conformité, les opérations à une distance inférieure à cette distance ne sont pas recommandées. L'antenne utilisée pour cet émetteur ne doit pas être colocalisée avec une autre antenne ou un autre émetteur.
- Mise à jour de l'appareil**
- En règle générale, certains appareils sont mis à jour tous les deux mois, mais ce n'est pas toujours aussi précis. Certains appareils, notamment ceux mis en vente il y a plus de trois ans, ne seront mis à jour que si une vulnérabilité critique est détectée et corrigée.
- Pour vérifier la version actuelle du logiciel et activer les mises à jour automatiques, accédez à Paramètres > Paramètres avancés du robot > À propos de votre robot > Mise à jour dans l'application. La version actuelle

s'affiche ; appuyez sur Mise à jour pour accéder à la page et sélectionnez Mise à jour automatique pour l'activer.

	Attention : surface chaude
	Transformateur d'isolement de sécurité résistant aux courts-circuits
	Alimentation à découpage
	Pour une utilisation en intérieur uniquement
	Courant continu
	Courant alternatif
	Avant de charger, lisez les instructions.
	Polarité du port de charge
	Fusible miniature temporisé

La surveillance à distance est destinée à un usage absolument privé dans des lieux privés non publics, destinés uniquement à l'autoprotection pure et au contrôle individuel. Veuillez tenir compte des obligations légales locales en matière de protection des données en cas d'utilisation. Aucune surveillance des lieux publics, notamment avec une intention clandestine et/ou de la part de l'employeur sans motifs justifiés. Une telle utilisation non justifiée relève uniquement des risques et de la responsabilité de l'utilisateur.

Déclaration de conformité de l'Union européenne

Informations sur la mise au rebut pour les utilisateurs de déchets d'équipements électriques et électroniques



Ce symbole figurant sur le produit ou son emballage indique que les produits électriques et électroniques usagés ne doivent pas être mélangés avec les déchets municipaux non triés. Pour assurer leur traitement adéquat, il vous incombe de mettre au rebut vos équipements usagés en les ramenant à des points de collecte désignés.

La mise au rebut correcte de ce produit permettra d'économiser des ressources précieuses et d'éviter tout effet négatif potentiel pour la santé humaine et l'environnement, qui pourrait survenir en cas de traitement inadapté des déchets. Pour rapporter votre appareil usagé, veuillez utiliser les systèmes de retour et de collecte ou contacter gratuitement le détaillant auprès duquel le produit a été acheté. Vous pouvez également contacter les autorités locales pour de plus amples informations sur le point de collecte le plus proche de chez vous. La mise au rebut incorrecte de ces déchets pourra entraîner des sanctions, conformément à votre réglementation nationale.

Informations sur la mise au rebut des batteries usagées pour les utilisateurs



Ce symbole indique que les batteries et accumulateurs en fin de vie ne doivent pas être mélangés aux déchets municipaux non triés. Vous jouez un rôle important dans l'effort visant à minimiser l'impact des batteries et accumulateurs sur l'environnement et la santé humaine. Pour un recyclage adapté, vous pouvez retourner ce produit ou les batteries et accumulateurs qu'il contient à votre fournisseur ou à un point de collecte désigné, gratuitement.

La mise au rebut correcte de ce produit permettra d'économiser des ressources précieuses et d'éviter tout effet négatif potentiel pour la santé humaine et l'environnement, qui pourrait survenir en cas de traitement inadapté des déchets.

La mise au rebut incorrecte de ces déchets pourra entraîner des sanctions, conformément à votre réglementation nationale.

Il existe des systèmes de collecte distincts pour les batteries et accumulateurs usagés.

Veuillez mettre au rebut les batteries et accumulateurs correctement dans votre centre de recyclage ou déchetterie locaux.

Directive relative à la limitation de l'utilisation de certaines substances dangereuses (RoHS)

Ecovacs Home Service Robotics Co., Ltd. déclare par la présente que l'ensemble du produit, y compris ses pièces (câbles, cordons, etc.) est conforme à la directive RoHS 2011/65/UE et à l'amendement de la Directive déléguée de la Commission (UE) 2015/863 relative à la limitation de l'utilisation de certaines substances dangereuses dans les équipements électriques et électroniques (« RoHS refondue » ou « RoHS 2.0 »).

Directive relative aux équipements radio

Ecovacs Home Service Robotics Co., Ltd. déclare par la présente que les produits répertoriés dans cette section sont conformes aux exigences essentielles et autres dispositions pertinentes de la Directive 2014/53/UE relative aux équipements radio.

Représentant autorisé en Europe :

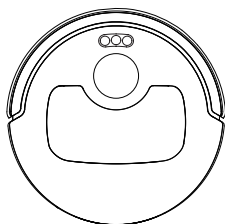


ECOVACS Europe GmbH
Holzstrasse 2 | D-40221 Düsseldorf | Allemagne

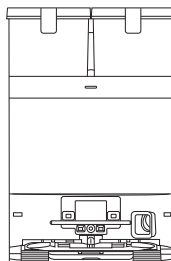
Ecovacs Home Service Robotics Co., Ltd. déclare par la présente que le produit est conforme aux exigences essentielles et autres dispositions pertinentes de la Directive RoHS 2011/65/UE et à l'amendement de la Directive déléguée de la Commission (UE) 2015/863, la Directive 2014/53/UE relative aux équipements radio et à la Directive 2006/42/CE relative aux machines. La déclaration de conformité est disponible à l'adresse suivante : <https://www.ecovacs.com/global/compliance>.

COMPOSANTS DU COLIS

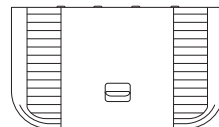
1 CONTENU DU COLIS



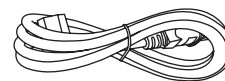
Robot



Station OMNI



Socle



Cordon d'alimentation



Brosse latérale



Manuel d'utilisation

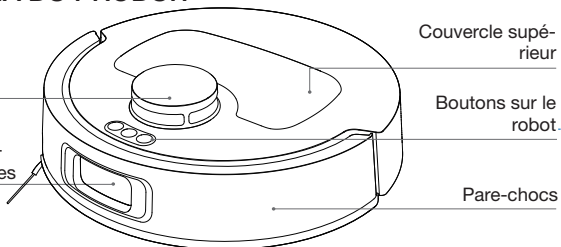
* Les figures de ce manuel sont fournies uniquement à titre indicatif et peuvent différer de l'appareil. La conception et les spécifications du produit sont susceptibles d'être modifiées sans préavis.

2 SCHÉMA DU PRODUIT

Robot

Module de navigation

Module d'évitement d'obstacles



Boutons



Appuyez sur : Retour à la station Appuyez et maintenez enfoncé : Nettoyage automatique (Le robot n'est pas dans la station)



Appuyez sur : Basculer entre Démarrer/ Pause/Continuer Appuyez et maintenez enfoncé : Allumer/Éteindre



Appuyez sur : Démarrer/Finir le nettoyage Appuyez et maintenez enfoncé : Activer/Désactiver le verrouillage enfant localisé

À l'intérieur du robot (sous le capot supérieur)

Bouton RÉINITIALISER

Configuration du réseau : Appuyez sur le bouton RÉINITIALISER et vous entendrez une invite vocale pour connecter le robot à l'application.

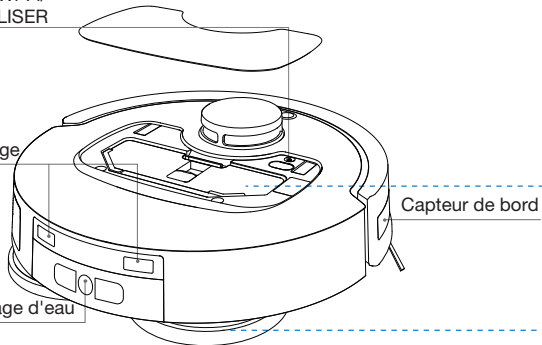
Restaurer les paramètres par défaut : Appuyez sur le bouton RÉINITIALISER et maintenez-le enfoncé pendant 5 s. Après avoir entendu l'invite vocale, la musique de démarrage est jouée et les paramètres par défaut du robot sont restaurés.

Indicateur d'état Wi-Fi/

Bouton RÉINITIALISER

Contacts de charge

Port de remplissage d'eau



Vue arrière de dessous

Capteurs anti-chute

Capteur de détection de tapis

brosse à rouleau

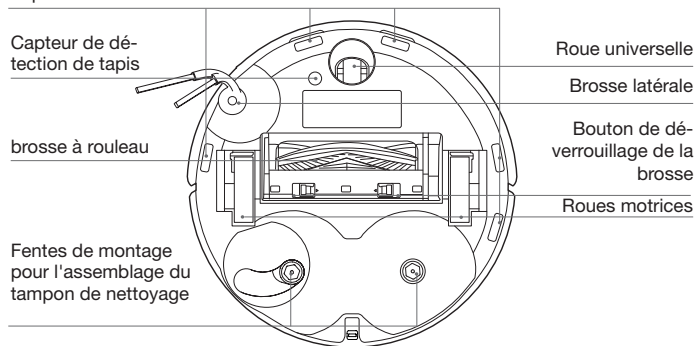
Fentes de montage pour l'assemblage du tampon de nettoyage

Roue universelle

Brosse latérale

Bouton de déverrouillage de la brosse

Roues motrices

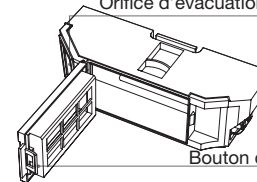


Bac à poussière

Filter



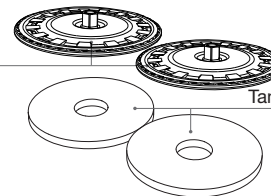
Orifice d'évacuation de la poussière



Bouton de déverrouillage

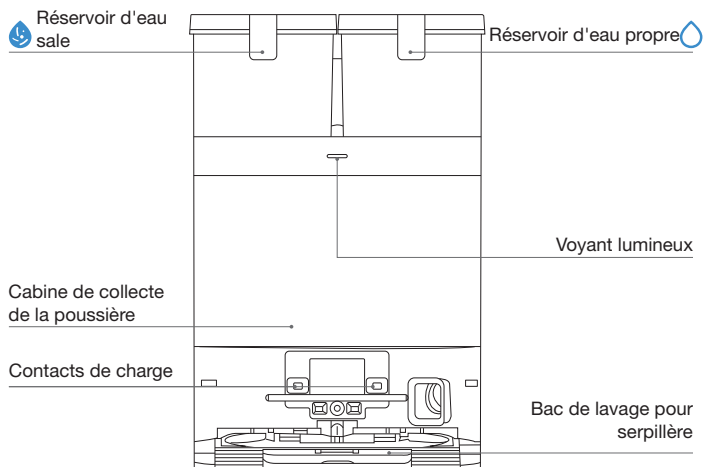
Ensemble de tampons de nettoyage

Plaques de tampons de nettoyage



Tampons de nettoyage lavables

Station OMNI

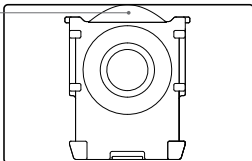


Remarque :

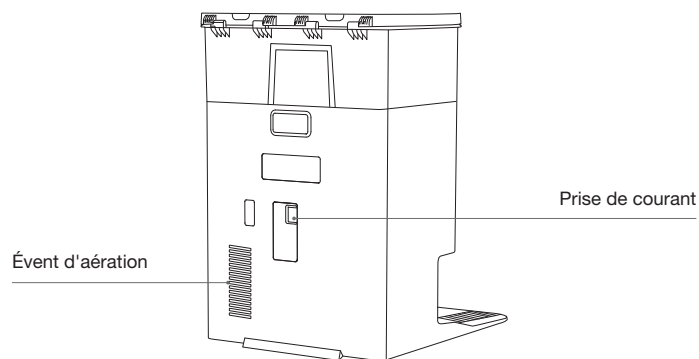
- Rouge clignotant : Veuillez consulter l'application ECOVACS HOME pour connaître la raison.
- Si le robot ne parvient pas à se charger, veuillez essuyer les contacts de charge à l'aide d'un chiffon propre et sec.

Sac à poussière

Poignée du sac à poussière



Station OMNI (arrière)



3 Voyant lumineux

	Effet de lumière	État
Robot	Respiration blanche	Chargement
	Blanc uni	Complètement chargé/En marche
	La lumière blanche clignote 1 fois	Bouton d'alimentation déclenché, la tâche démarre/s'arrête/continue
	Rouge solide	Batterie faible
	Rouge clignotant	Alarme
Station	Blanc uni	Veille/En marche
	Rouge clignotant	Panne
	Éteint	Panne de courant/Mode Veille prolongée

4 Présentation des capteurs

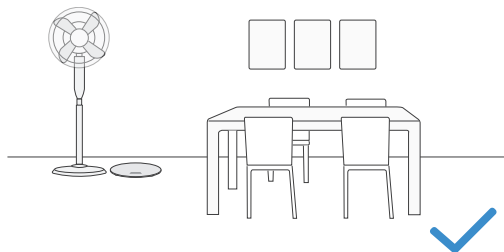
Nom	Description fonctionnelle
Module de navigation	La télémétrie laser est utilisée pour mesurer la distance entre le robot et les objets environnants en fonction de la différence de temps de réflexion. Elle permet au module de cartographier les objets environnants pendant que le robot se déplace. La portée de détection est de 8 m.
Module d'évitement d'obstacles	La télémétrie laser et la triangulation sont utilisées pour mesurer la distance entre le robot et les obstacles environnants. Le capteur émet des faisceaux laser et reçoit la lumière réfléchiée par les obstacles situés devant. Lorsqu'un obstacle est détecté à proximité, le robot se retourne automatiquement pour l'éviter. La portée de détection est de 0,3 m.
Capteurs anti-chute	Avec la télémétrie infrarouge, la distance entre le socle du robot et le sol est détectée par les capteurs infrarouges situés sur le socle. Le robot ne se déplacera pas vers l'avant lorsqu'il y a des escaliers devant (par exemple lorsque la hauteur de la surface blanche est de 55 mm ou plus, ou que la hauteur de la surface noire est de 30 mm ou plus) et que la valeur indiquée dépasse la valeur prédéfinie, ce qui permet d'activer la fonction antidérapage.
Capteur de détection de tapis	Le capteur émet des ultrasons de 300 kHz, dont l'énergie est absorbée par la moquette, ce qui fait que l'énergie réfléchiée est inférieure au seuil. Le robot détecte alors la présence du tapis. Dans le laboratoire ECOVACS, plus de 50 types de tapis disponibles sur le marché sont identifiés.
Capteur anti-collision	Grâce au principe du commutateur optocoupleur, le robot évite les obstacles lorsqu'ils sont sur le point d'entrer en collision.
Capteur de bord	Avec la télémétrie infrarouge, le capteur de bord détecte la distance entre le robot et les objets sur le côté. En cas de présence d'un mur ou des obstacles sur la droite, le robot effectue un nettoyage des bords afin de ne pas manquer d'endroits et d'éviter les collisions.

CONFIGURATION ET UTILISATION INITIALES

1 Remarques avant le nettoyage

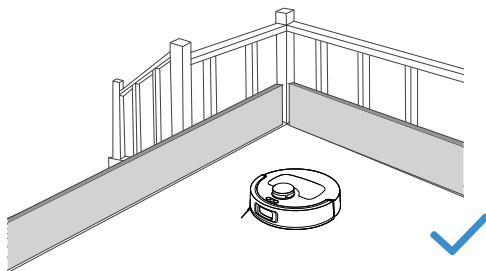
Ranger la zone à nettoyer

Pour obtenir la plus grande surface de nettoyage possible, avant d'utiliser le robot, veuillez placer les meubles, comme les tables, les chaises et les ventilateurs sur socle, à l'endroit approprié et ranger les articles de faible hauteur, comme les balances.



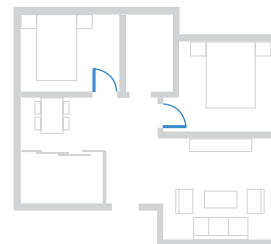
Empêcher le robot de tomber

Placez une barrière physique au bord d'une chute, comme les escaliers et les marches, pour empêcher le robot de tomber par-dessus le bord.



Ouvrir des portes et aider le robot à circuler

Ouvrez toutes les portes des pièces pour permettre à le robot de circuler librement dans votre maison lors du premier nettoyage.



Pour améliorer l'efficacité du nettoyage, veuillez retirer du plancher les objets, y compris les câbles, les vêtements et les pantoufles.



Avant d'utiliser le produit sur une moquette à bords gommés, veuillez replier les gommets sous la moquette.



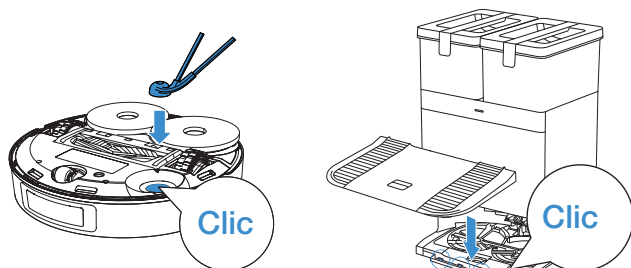
Veuillez ne pas vous tenir dans des espaces étroits, à l'instar des couloirs, afin d'éviter de bloquer TrueMapping.

2 Démarrage rapide

Retirez tous les matériaux de protection avant d'utiliser l'appareil.

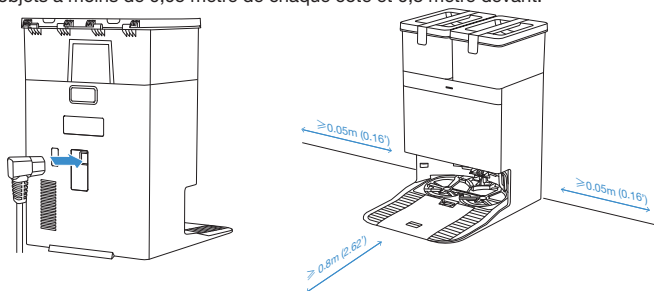
1. Installation

Le son du « clic » indique une installation correcte.



2. Assembler et placer la station

Placez la station OMNI contre le mur sur une surface plane et dure. Ne placez pas d'objets à moins de 0,05 mètre de chaque côté et 0,8 mètre devant.

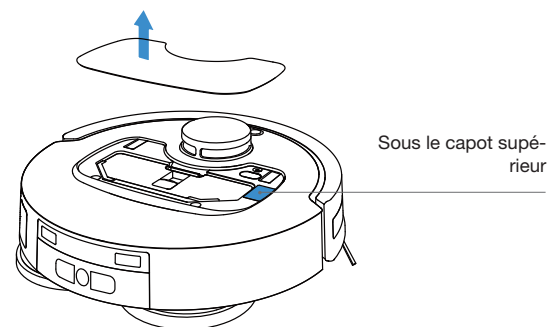


- Si des objets réfléchissants comme des miroirs ou des plinthes réfléchissantes se trouvent à proximité de la station, les 14 cm inférieurs de ces objets doivent être couverts.
- N'exposez pas la station au soleil.
- Placez la station dans un endroit où le signal Wi-Fi est fort pour une meilleure expérience utilisateur.
- N'utilisez pas l'appareil sur des surfaces humides ou sur des surfaces contenant de l'eau stagnante.
- N'essuyez pas le robot et la station avec un chiffon humide et n'utilisez aucun liquide.

3 Téléchargez l'application ECOVACS HOME

Pour profiter de toutes les fonctionnalités disponibles, il est recommandé de contrôler votre robot via l'application ECOVACS HOME.

1. Scannez le code QR sous le capot supérieur pour télécharger l'application.



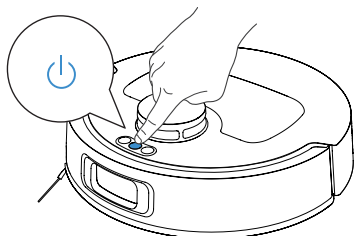
2. Recherchez « ECOVACS HOME » sur l'App Store ou Google Play pour télécharger l'application.



Remarque : Suivez les instructions de l'application pour terminer l'enregistrement, l'ouverture de session et la connexion.

4 Mettre le robot en marche

1. Allumez l'interrupteur et placez le robot devant la station connectée à l'alimentation électrique.



5 Connecter le robot à l'application


Nom	Description
Interface infrarouge	L'interface infrarouge est désactivée par défaut et s'active lorsque le robot est sur la station de charge. Lorsque le DEEBOT est sur la station de charge, il communique avec celle-ci via l'interface infrarouge.
Wi-Fi*	Faciliter le transfert de données entre l'application et le robot, ce qui permet de contrôler le robot via l'application.
Application ECOVACS HOME	Les produits ECOVACS offrent des fonctions intelligentes telles que la configuration du réseau, la cartographie et la sélection du mode de nettoyage (propre à chaque produit). Pour profiter de ces fonctionnalités, les utilisateurs doivent télécharger et utiliser l'application officielle ECOVACS Home.

• Les aspirateurs robotisés de la série du robot sont conçus pour les scénarios de nettoyage domestique. Un réseau Wi-Fi domestique est nécessaire pour le fonctionnement. De plus, la protection anti-DDoS peut être configurée par les utilisateurs via les paramètres d'itinéraire.

Configuration requise pour le réseau Wi-Fi :


- Vous utilisez un réseau 2,4 GHz ou 2,4/5 GHz mixte.
- Votre routeur prend en charge les protocoles 802.11b/g/n et Ipv4.
- N'utilisez pas de VPN (réseau privé virtuel) ou de serveur proxy.
- N'utilisez pas de réseau caché.
- WPA et WPA2 utilisant le cryptage TKIP, PSK et AES/CCMP.
- WEP EAP (Enterprise Authentication Protocol) n'est pas pris en charge.
- Utilisez les canaux Wi-Fi 1-11 en Amérique du Nord et 1-13 en dehors de l'Amérique du Nord (consultez l'organisme de réglementation local).
- Si vous utilisez un prolongateur/répéteur réseau, le nom du réseau (SSID) et le mot de passe sont les mêmes que ceux de votre réseau principal.
- Veuillez activer le WPA2 sur votre routeur.

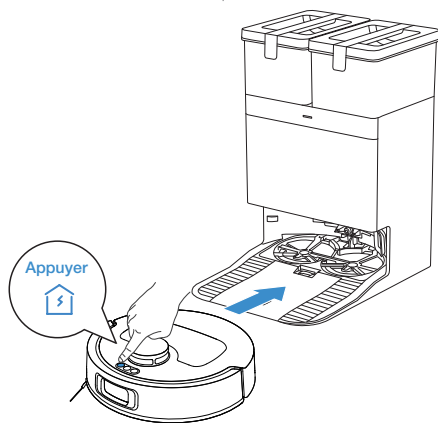
Voyant lumineux du Wi-Fi

	Lumière blanche clignotante lente	Déconnecté du Wi-Fi
	Lumière blanche clignotante rapide	Connexion en cours
	Lumière blanche constante	Connecté au Wi-Fi

Veillez noter que les fonctions intelligentes comme le démarrage à distance, l'interaction vocale, l'affichage de cartes 2D/3D et les paramètres de contrôle, ainsi que le nettoyage personnalisé (en fonction de l'appareil) nécessitent l'application ECOVACS HOME, qui est constamment mise à jour. Vous devez accepter notre Politique de confidentialité et notre Accord d'utilisation afin que nous puissions traiter certaines de vos informations essentielles et nécessaires avant que vous puissiez utiliser certaines fonctionnalités de l'application ECOVACS HOME pour contrôler l'appareil. Si vous n'êtes pas d'accord avec notre Politique de confidentialité et notre Accord d'utilisation, ces fonctions ne seront pas disponibles. Cependant, vous pouvez toujours utiliser les fonctions de base de cet appareil pour un fonctionnement manuel.

6 Allumer et charger le robot

Utilisez l'application ECOVACS HOME pour rappeler le robot ou appuyez sur  sur le robot pour lui permettre de s'arrimer pour le chargement.

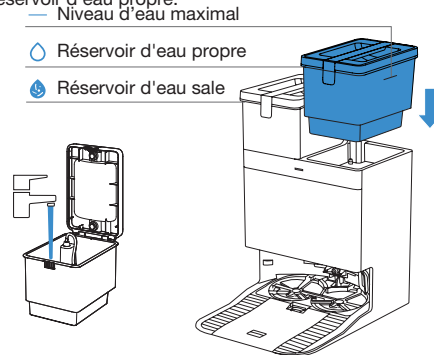


Remarque :

- Lorsque le robot n'est pas utilisé, laissez-le sous tension et en charge.
- Il est recommandé de commencer le nettoyage à partir de la station. Ne déplacez pas la station pendant le nettoyage.

7 Remplir le réservoir d'eau propre

Sortez le réservoir d'eau propre, ouvrez le couvercle du réservoir et remplissez le réservoir d'eau jusqu'au niveau maximum. Fermez le couvercle du réservoir et réinstallez le réservoir d'eau propre.

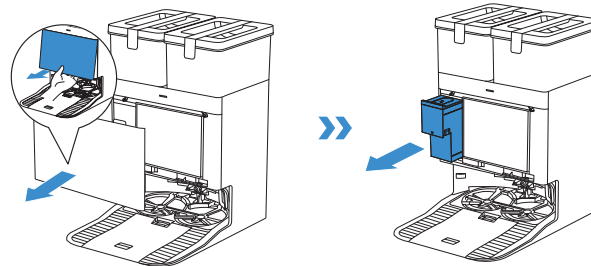


Remarque :

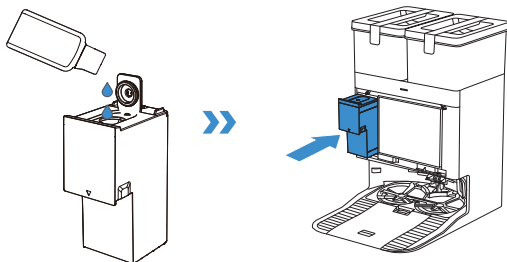
- Utilisez un chiffon propre et sec pour essuyer l'eau à la surface du réservoir avant de le mettre en place.
- Assurez-vous de verrouiller hermétiquement les couvercles supérieurs des deux réservoirs d'eau avant utilisation.
- Les éventuelles traces d'eau dans les réservoirs d'eau proviennent de tests de fonctionnement. Veuillez l'utiliser en toute confiance.

8 Ajouter une solution de nettoyage (vendue séparément)

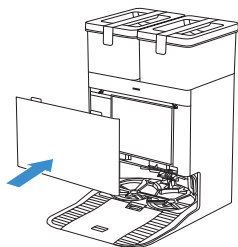
1. Retirez le couvercle de la cabine de collecte de poussière, retirez l'unité de solution de nettoyage et placez-la sur une surface plane et dure.



2. Ouvrez le couvercle de l'unité de solution de nettoyage et remplissez-la de solution de nettoyage ECOVACS (vendue séparément). Remettez le couvercle et remettez l'appareil à la station.



3. Placez les joints d'ajustement sur le bord supérieur du couvercle de la cabine à poussière et appuyez sur la partie inférieure de celui-ci pour l'installer correctement.



Remarque :

- La solution de nettoyage est pompée automatiquement à partir de l'unité de solution de nettoyage. N'ajoutez pas de solution de nettoyage dans les réservoirs d'eau.
- Pour de meilleures performances et une durée de vie plus longue du produit, veuillez utiliser la solution de nettoyage ECOVACS DEEBOT (vendue séparément).
- Assurez-vous qu'aucun objet étranger ne tombe dans l'unité de solution de nettoyage.

9 Mettre le robot en marche

1. Commencer la cartographie


Lorsque vous créez une carte pour la première fois, veuillez suivre le robot pour vous aider à résoudre certains problèmes mineurs.

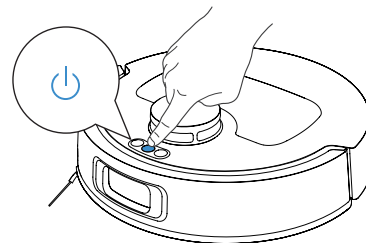
Par exemple, le robot peut rester coincé sous les meubles. Veuillez vous référer aux solutions suivantes :

- ① Si possible, surélevez les meubles bas ;
- ② Couvrez le bas du meuble ;
- ③ Configurez la limite virtuelle via l'application.

2. Commencer le nettoyage

- Le réservoir d'eau du robot est automatiquement rempli via la station. Le remplissage manuel n'est pas nécessaire.
- Lors du nettoyage, le robot reconnaît les types de sol et est capable de soulever automatiquement les balais lorsqu'il rencontre des tapis. N'utilisez pas le robot sur des tapis à poils longs ou des moquettes dont les fibres mesurent plus de 9 mm de long. Il est recommandé de replier les tapis à poils longs dont les fibres mesurent plus de 9 mm de long pendant le processus de nettoyage ou de définir la zone recouverte de moquette à poils longs comme zone interdite en définissant une limite virtuelle dans l'application ECOVACS HOME.


Assurez-vous que le robot se trouve dans la station et qu'il est complètement chargé avant de le nettoyer pour la première fois. Appuyez sur  sur le robot pour démarrer. Vous pouvez également utiliser l'application ECOVACS HOME pour démarrer.




Remarque :

- Ne retirez pas fréquemment les tampons de nettoyage lavables.
 - Ne rayez pas les plaques de nettoyage avec un chiffon ou d'autres objets.
 - Remplacez les tampons de nettoyage à temps comme indiqué par l'application.
- Découvrez plus d'accessoires dans l'application ECOVACS HOME ou sur <https://www.ecovacs.com>.


3. Pause

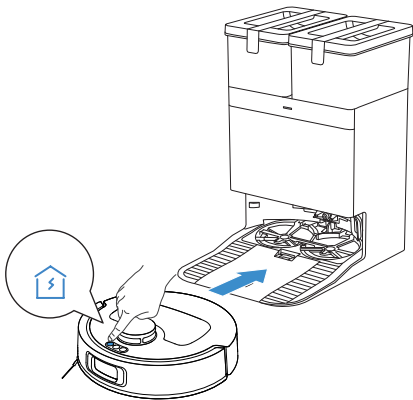
Appuyez sur  sur le robot pour le mettre en pause pendant qu'il travaille. Vous pouvez également utiliser l'application ECOVACS HOME pour mettre le robot en pause.

4. Désactiver le mode Veille

Après une pause d'un instant, tous les voyants du robot s'éteignent. Pour activer le robot, appuyez sur .

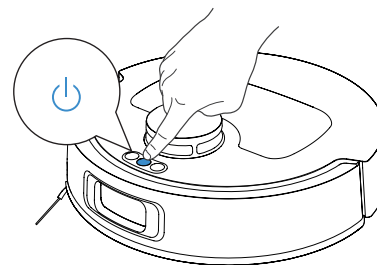
5. Retour à la station

Utilisez l'application ECOVACS HOME pour activer le robot, ou appuyez sur le bouton  sur le robot pour permettre au robot de s'amarrer et de se recharger.



6. Mode Veille profonde

Le robot passe en mode Veille prolongée s'il reste en dehors de la station pendant environ 10 heures afin de protéger la batterie. Veuillez éteindre et rallumer pour activer le robot.



CARACTÉRISTIQUES TECHNIQUES

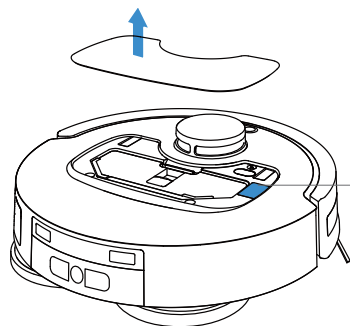
Modèle	DLX71		
Entrée nominale	20 V === 2 A	Temps de charge	environ 4,5 h
Modèle de station	CH2471		
Entrée nominale	220-240 V ~ 50-60 Hz	Puissance nominale	20 V === 2 A
Courant d'entrée nominal (Charge) :	0,5 A	Puissance (vidage)	650 W
Puissance (balai de lavage à l'eau chaude)	1650 W		
Bandes de fréquence	2 400-2 483,5 MHz		
Alimentation en veille en réseau	Moins de 2,00 W		

La puissance de sortie du module sans fil est inférieure à 100 mW.

Remarque : Les spécifications techniques et de conception peuvent être modifiées pour une amélioration continue du produit.

Découvrez plus d'accessoires sur <https://www.ecovacs.com>.

Conformément aux exigences produit (fonctionnalités et expérience utilisateur), nos produits utilisent une architecture non ultra basse consommation ; ils ne disposent donc ni de mode arrêt ni de mode veille. Une fois complètement chargé, l'appareil passe en mode veille réseau dans les 20 minutes. La consommation en mode veille réseau est de 1.5 W.



Veillez utiliser la caméra mobile pour scanner le code QR et obtenir le guide d'utilisation.

IMPORTANTI ISTRUZIONI DI SICUREZZA

IMPORTANTI ISTRUZIONI DI SICUREZZA

Quando si utilizza un apparecchio elettrico è necessario seguire sempre le precauzioni di base, tra cui le seguenti:

LEGGERE TUTTE LE ISTRUZIONI

PRIMA DI UTILIZZARE QUESTO

APPARECCHIO

CONSERVARE QUESTE ISTRUZIONI

1. Questo apparecchio può essere utilizzato da bambini di età pari o superiore a 8 anni e da persone con capacità fisiche, sensoriali o mentali ridotte o prive di esperienza e conoscenza, solo se supervisionati o istruiti sull'uso sicuro dell'apparecchio e se ne comprendono i pericoli connessi. I bambini non devono giocare con l'apparecchio. La pulizia e la manutenzione da parte dell'utente non devono essere eseguite da bambini senza supervisione.
2. Liberare l'area da pulire. Rimuovere dal pavimento cavi di alimentazione e piccoli oggetti che potrebbero impigliare l'apparecchio.
3. Infilare le frange del tappeto sotto la base del tappeto e sollevare dal pavimento oggetti come

tende e tovaglie.

4. Se esiste un dislivello nella zona di pulizia dovuto alla presenza di un gradino o di una scala, è necessario azionare l'apparecchio in modo che possa rilevare il gradino senza cadere dal bordo. Potrebbe essere necessario posizionare una barriera fisica sul bordo per impedire la caduta dell'unità. Assicurarsi che la barriera fisica non rappresenti un pericolo di inciampo.
5. Utilizzare solo come descritto nel presente manuale. Utilizzare solo gli accessori consigliati o venduti dal produttore.
6. SOLO per uso domestico INTERNO. Non utilizzare l'apparecchio in ambienti esterni, commerciali o industriali.
7. Non utilizzare senza contenitore della polvere e/o filtri installati.
8. Spegnerne l'interruttore di alimentazione prima di rimuovere il contenitore della polvere.
9. Non utilizzare l'apparecchio in aree in cui siano presenti candele accese o oggetti fragili.
10. Tenere capelli, abiti larghi, dita e tutte le parti del corpo lontani da aperture e parti mobili.
11. Non utilizzare l'apparecchio in una stanza in cui dormono neonati o bambini.
12. Non utilizzare l'apparecchio su superfici bagnate o con acqua stagnante.

13. Non lasciare che l'apparecchio aspiri oggetti di grandi dimensioni come pietre, grandi pezzi di carta o qualsiasi altro elemento che possa ostruire l'apparecchio.
14. Non utilizzare l'apparecchio per aspirare materiali infiammabili o combustibili quali benzina, toner per stampanti o fotocopiatrici, né utilizzarlo in aree in cui tali oggetti potrebbero essere presenti.
15. Non utilizzare l'apparecchio per aspirare oggetti che bruciano o fumano, come sigarette, fiammiferi, cenere calda o qualsiasi cosa che potrebbe causare un incendio.
16. Non inserire oggetti nella presa d'aspirazione. Non utilizzare se la presa d'aspirazione è ostruita. Mantenere la presa d'aspirazione libera da polvere, lanugine, capelli o qualsiasi cosa che possa ridurre il flusso d'aria.
17. Per evitare rischi, qualora il cavo di alimentazione sia danneggiato, deve essere sostituito dal produttore, dal suo agente di assistenza o da persone analogamente qualificate.
18. Spegnerne l'interruttore di alimentazione prima di pulire o effettuare la manutenzione dell'apparecchio.
19. Il tipo di batteria al litio adatta per il CH2471 è max. 8 celle, max. tensione CC nominale 14,4 V, capacità nominale 4.800 mAh. La batteria deve essere rimossa e smaltita secondo le leggi e le normative locali prima di smaltire l'apparecchio.
20. Smaltire le batterie usate in conformità alle leggi e alle normative locali.
21. Non incendiare l'apparecchio anche se gravemente danneggiato. In caso di incendio, le batterie possono esplodere.
22. L'apparecchio deve essere utilizzato secondo le istruzioni riportate nel presente Manuale di istruzioni. Ecovacs Home Service Robotics non può essere ritenuta responsabile per eventuali danni o lesioni causati da un uso improprio.
23. Il robot contiene batterie che possono essere sostituite solo da personale qualificato. Per sostituire la batteria del robot, contattare il Servizio Clienti.
24. Accertarsi che la tensione della fonte di alimentazione corrisponda alla tensione di alimentazione indicata sulla stazione OMNI.
25. Utilizzare esclusivamente la batteria ricaricabile originale e la stazione OMNI fornite insieme all'apparecchio dal produttore. Sono vietate le batterie non ricaricabili.
26. Fare attenzione a non danneggiare il cavo di alimentazione. Non tirare o trasportare l'apparecchio o la stazione OMNI tenendoli per il cavo di alimentazione, non utilizzare il cavo di alimentazione come maniglia, non chiudere una

- porta sul cavo di alimentazione e non tendere il cavo di alimentazione attorno a spigoli o angoli taglienti. Non far passare l'apparecchio sopra il cavo di alimentazione. Tenere il cavo di alimentazione lontano da superfici calde.
27. Non utilizzare la stazione OMNI se danneggiata. L'alimentatore non deve essere riparato né più utilizzato se danneggiato o difettoso.
 28. Non utilizzare con un cavo di alimentazione o una presa danneggiati. Non utilizzare l'apparecchio o la stazione OMNI se non funzionano correttamente, sono caduti, sono danneggiati, sono stati lasciati all'aperto o sono entrati in contatto con l'acqua. Per evitare pericoli, la riparazione deve essere effettuata dal produttore o dal suo agente di assistenza.
 29. Prima di pulire o effettuare la manutenzione della stazione OMNI, è necessario rimuovere la spina dalla presa.
 30. Rimuovere l'apparecchio dalla stazione OMNI e spegnere l'interruttore di alimentazione dell'apparecchio prima di rimuovere la batteria per smaltirlo.
 31. Se non si utilizza la stazione OMNI per un lungo periodo di tempo, scollegarla dall'alimentazione.
 32. Se il robot non verrà utilizzato per un lungo periodo, spegnerlo per riporlo e scollegare la

stazione OMNI.

33. **AVVERTENZA:** aggiungere acqua pulita solo nel serbatoio dell'acqua pulita.
34. **AVVERTENZA:** per ricaricare la batteria, utilizzare esclusivamente l'alimentatore rimovibile fornito con questo apparecchio (CH2471).

Per soddisfare i requisiti di esposizione alle radiofrequenze, durante il funzionamento del dispositivo è necessario mantenere una distanza di separazione di almeno 20 cm dalle persone.










Per garantire la conformità, si sconsiglia l'utilizzo a una distanza inferiore a questa. L'antenna utilizzata per questo trasmettitore non deve essere posizionata insieme ad altre antenne o trasmettitori.

Aggiornamento del dispositivo

Normalmente alcuni dispositivi vengono aggiornati ogni due mesi, ma non sempre in modo così specifico.

Alcuni dispositivi, in particolare quelli immessi sul mercato da più di tre anni, verranno aggiornati solo se verrà individuata e risolta una vulnerabilità critica. Per verificare la versione attuale del software e abilitare gli aggiornamenti automatici, vai su Impostazioni > Impostazioni avanzate del robot > Informazioni sul robot > Aggiornamento nell'app. La versione attuale viene visualizzata lì; tocca

Aggiornamento per accedere alla pagina e seleziona
Aggiornamento automatico per attivarlo.

	Attenzione: superficie calda
	Trasformatore con isolamento di sicurezza a prova di cortocircuito
	Alimentatore switching
	Solo per uso in interno
	Corrente continua
	Corrente alternata
	Prima di ricaricare, leggere le istruzioni.
	Polarità della porta di ricarica
	Fusibile in miniatura a ritardo temporale

La sorveglianza a distanza è destinata all'uso assolutamente privato di luoghi privati e non pubblici, esclusivamente a scopo di autodifesa e per il solo controllo individuale. In caso di utilizzo, prestare attenzione agli obblighi legali locali in materia di protezione dei dati. Divieto di sorveglianza di luoghi pubblici, in particolare con intento clandestino e/o da parte del datore di lavoro senza giustificati motivi. Tale utilizzo non giustificato avviene esclusivamente a rischio e responsabilità dell'utente.

Dichiarazione di conformità per l'Unione europea

Informazioni sullo smaltimento per gli utenti dei rifiuti di apparecchiature elettriche ed elettroniche



Questo simbolo sul prodotto o sulla sua confezione indica che i prodotti elettrici ed elettronici usati non devono essere smaltiti con i rifiuti urbani indifferenziati. Per garantire un trattamento adeguato, è responsabilità dell'utilizzatore smaltire le apparecchiature usate restituendole ai punti di raccolta designati.

Il corretto smaltimento di questo prodotto consentirà di risparmiare risorse preziose e di prevenire potenziali effetti negativi sulla salute umana e sull'ambiente, che potrebbero altrimenti derivare da una gestione inappropriata dei rifiuti.

Per restituire il dispositivo usato utilizzare i sistemi di restituzione e ritiro o contattare il rivenditore presso il quale è stato acquistato il prodotto, che provvederà gratuitamente al ritiro. Contattare l'autorità locale per ulteriori dettagli sul punto di raccolta designato più vicino.

Per lo smaltimento non corretto di questi rifiuti potrebbero essere applicate delle sanzioni, in conformità con la legislazione nazionale.

Informazioni sullo smaltimento per gli utenti delle batterie usate



Questo simbolo significa che le batterie e gli accumulatori, a fine vita, non devono essere smaltiti con i rifiuti urbani indifferenziati. La vostra collaborazione è una parte importante dello sforzo per ridurre al minimo l'impatto di batterie e accumulatori sull'ambiente e sulla salute umana. Per un corretto riciclo, è possibile restituire questo prodotto o le batterie o gli accumulatori in esso contenuti al fornitore o a un punto di raccolta designato, a titolo gratuito.

Il corretto smaltimento di questo prodotto consentirà di risparmiare risorse preziose e di prevenire potenziali effetti negativi sulla salute umana e sull'ambiente, che potrebbero altrimenti derivare da una gestione inappropriata dei rifiuti. Per lo smaltimento non corretto di questi rifiuti potrebbero essere applicate delle sanzioni, in conformità con la legislazione nazionale. Esistono sistemi di raccolta differenziata per batterie e accumulatori usati. Smaltire correttamente le batterie e gli accumulatori presso il centro di raccolta/riciclaggio dei rifiuti della comunità locale.

Direttiva sulla restrizione dell'uso di determinate sostanze pericolose (RoHS)

Ecovacs Home Service Robotics Co., Ltd. dichiara con la presente che l'intero prodotto, comprese le parti (fili, cavi, ecc.) soddisfa i requisiti della Direttiva RoHS 2011/65/UE e della modifica della Direttiva delegata della Commissione (UE) 2015/863 sulla restrizione dell'uso di determinate sostanze pericolose nelle apparecchiature elettriche ed elettroniche ("RoHS recast" o "RoHS 2.0").

Direttiva sulle apparecchiature radio

Ecovacs Home Service Robotics Co., Ltd. dichiara con la presente che il prodotto elencato in questa sezione è conforme ai requisiti essenziali e ad altre disposizioni pertinenti della Direttiva sulle apparecchiature radio 2014/53/UE.

Rappresentante autorizzato in Europa:

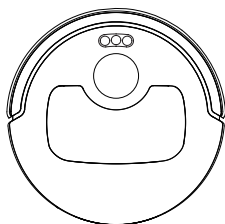


ECOVACS Europe GmbH
Holzstrasse 2 | D-40221 Düsseldorf | Germania

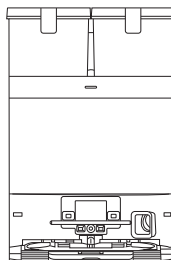
Ecovacs Home Service Robotics Co., Ltd. dichiara con la presente che il prodotto è conforme ai requisiti essenziali e ad altre disposizioni pertinenti della Direttiva RoHS 2011/65/UE e alla modifica della Direttiva delegata della Commissione (UE) 2015/863 e alla Direttiva sulle apparecchiature radio 2014/53/UE. La dichiarazione di conformità può essere consultata al seguente indirizzo: <https://www.ecovacs.com/global/compliance>.

COMPONENTI DELLA CONFEZIONE

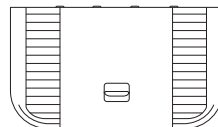
1 CONTENUTO DELLA CONFEZIONE



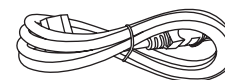
Robot



Stazione OMNI



Base



Cavo di alimentazione



Spazzola laterale



Manuale di istruzioni

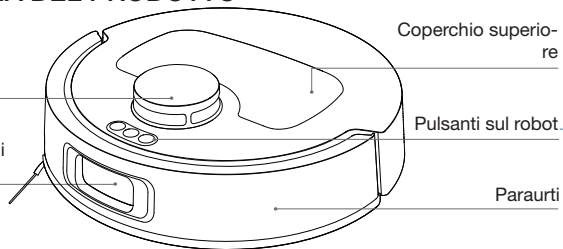
* Le figure contenute nel presente manuale hanno esclusivamente scopo di riferimento e potrebbero differire dall'apparecchio reale. Il design e le specifiche del prodotto sono soggetti a modifiche senza preavviso.

2 SCHEMA DEL PRODOTTO

Robot

Modulo di navigazione

Modulo di aggiramento degli ostacoli



Pulsanti



Premere: ritorno alla stazione Premere e tenere premuto: pulizia automatica (Il robot non è nella stazione)



Premere: commuta Avvio/Pausa/Continu Premere e tenere premuto: Accensione/Spengimento



Premere: Avvio/fine pulizia spot Premere e tenere premuto: attiva/disattiva blocco bambini

Parte interna del robot (sotto il coperchio superiore)

Pulsante RESET

Configurazione di rete: premendo il pulsante RESET, un messaggio vocale chiederà di connettere il robot all'APP.

Ripristino delle impostazioni predefinite: premere il pulsante RESET e tenerlo premuto per 5 secondi. Dopo l'emissione del messaggio vocale verrà riprodotta la musica di avvio e il robot verrà ripristinato alle impostazioni predefinite.

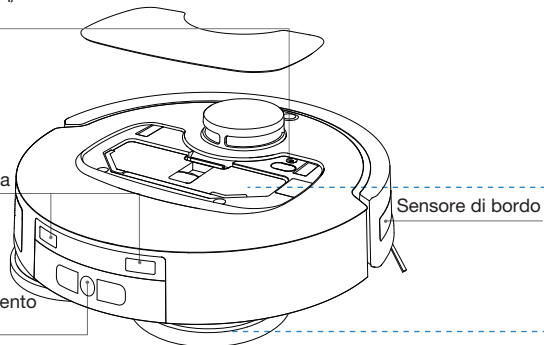
Spia di stato Wi-Fi/

Pulsante RESET

Contatti di ricarica

Sensore di bordo

Porta di riempimento dell'acqua



Vista posteriore dal basso

Sensori anti-caduta

Sensore di rilevamento tappeto

Spazzola a rullo

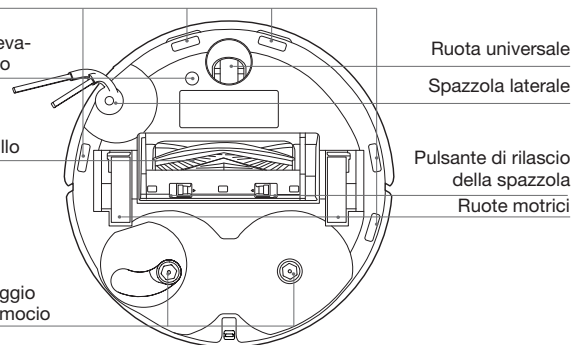
Slot di montaggio per il gruppo mocio

Ruota universale

Spazzola laterale

Pulsante di rilascio della spazzola

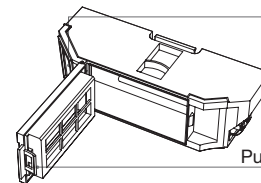
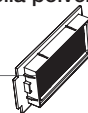
Ruote motrici



Cestino della polvere

Filtro

Porta di smaltimento della polvere

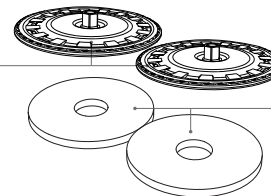


Pulsante di rilascio

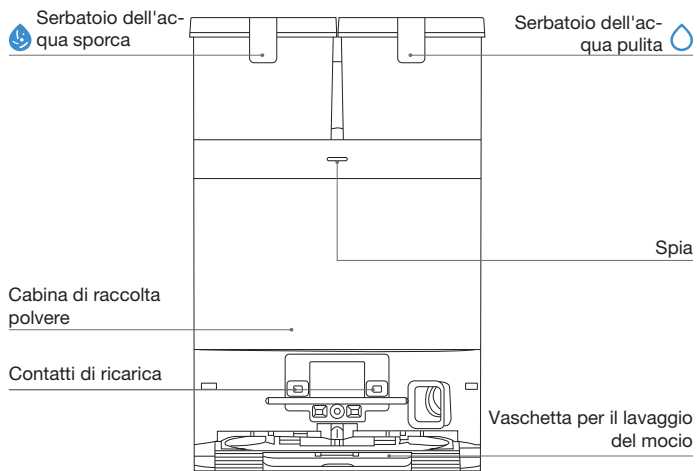
Gruppo mocio

Piastre del mocio

Mocio lavabili



Stazione OMNI

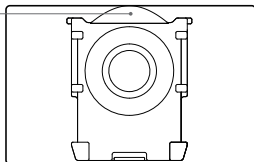


Nota:

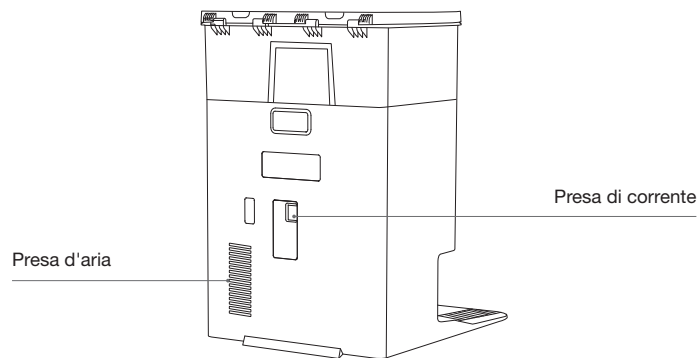
- Rosso lampeggiante: Consultare l'app ECOVACS HOME per conoscere il motivo.
- Se il robot non si carica, pulire i contatti di ricarica con un panno pulito e asciutto.

Sacchetto della polvere

Maniglia del sacchetto della polvere



Stazione OMNI (retro)



3 Spia

	Effetto luce	Stato
Robot	Bianco pulsante	Ricarica incorso
	Bianco fisso	Completamente carico/In funzione
	La luce bianca lampeggia 1 volta	Pulsante di accensione attivato, l'attività si avvia/si mette in pausa/ prosegue
	Rosso fisso	Batteria scarica
	Rosso lampeggiante	Allarme
Stazione	Bianco fisso	Standby/In funzione
	Rosso lampeggiante	Malfunzionamento
	Spegnimento	Interruzione di corrente/Modalità di sospensione profonda

4 Panoramica dei sensori

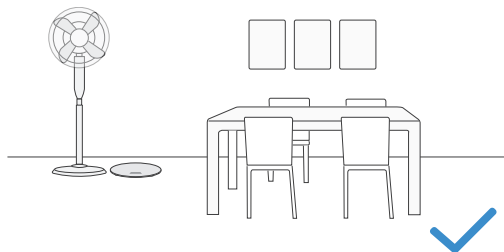
Nome	Descrizione funzionale
Modulo di navigazione	La misurazione laser viene utilizzata per misurare la distanza tra il robot e gli oggetti circostanti in base alla differenza di tempo di riflessione, consentendo al modulo di effettuare la mappatura degli oggetti circostanti mentre il robot è in movimento. Il raggio di rilevamento è di 8 metri.
Modulo di aggiramento degli ostacoli	Per misurare la distanza tra il robot e gli ostacoli circostanti si utilizzano la misurazione laser e la triangolazione. Il sensore emette raggi laser e riceve la luce riflessa dagli ostacoli antistanti. Quando viene rilevato un ostacolo a distanza ravvicinata, il robot svolta automaticamente per evitarlo. Il raggio di rilevamento è di 0,3 metri.
Sensori anti-caduta	Grazie alla funzione di misurazione a infrarossi, la distanza tra la parte inferiore del robot e il terreno viene rilevata dai sensori a infrarossi posti nella parte inferiore. Il robot non avanzerà quando vi sono scale poste di fronte (ad esempio quando l'altezza della superficie bianca è di 55 mm o più, o l'altezza della superficie nera è di 30 mm o più) e la distanza identificata supera quella preimpostata, attivando la funzione Anti-caduta.
Sensore di rilevamento tappeto	Il sensore emette ultrasuoni a 300 kHz, la cui energia verrà assorbita dal tappeto, facendo sì che l'energia riflessa sia inferiore alla soglia. Il robot rileva così la presenza del tappeto. Nel laboratorio ECOVACS sono stati identificati più di 50 tipi di tappeti disponibili sul mercato.
Sensore anticollisione	Grazie al principio dell'interruttore optoaccoppiatore, il robot eviterà gli ostacoli quando sia imminente una collisione.
Sensore di bordo	Grazie alla funzione di misurazione a infrarossi, il sensore di bordo è in grado di rilevare la distanza tra il robot e gli oggetti che si trovano sul lato. Se sul lato destro è presente un muro o un ostacolo, il robot pulirà il bordo per evitare di trascurare punti o di incorrere in collisioni.

CONFIGURAZIONE INIZIALE E UTILIZZO

1 Note prima della pulizia

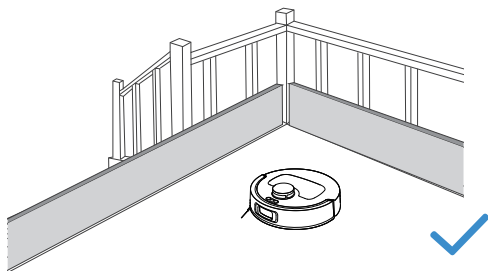
Riordinare l'area da pulire

Per pulire la superficie più ampia possibile, prima di usare il robot sistemare i mobili, come tavoli, sedie e ventilatori a piantana, in luoghi adeguati e rimuovere gli oggetti bassi, come le bilance.



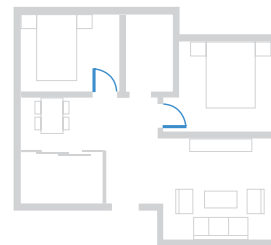
Impedire al robot di cadere

Posizionare una barriera fisica sul bordo di dislivelli, come scale o gradini, per impedire al robot di cadere.



Aprire le porte e aiutare robot a esplorare

Per consentire al robot di esplorare a fondo la casa durante la prima pulizia, aprire le porte di tutte le stanze.



Per migliorare l'efficienza della pulizia, rimuovere dal pavimento oggetti come cavi, vestiti e pantofole.



Prima di utilizzare il prodotto su un tappeto con bordi a nappe, piegare le nappe sotto il tappeto.



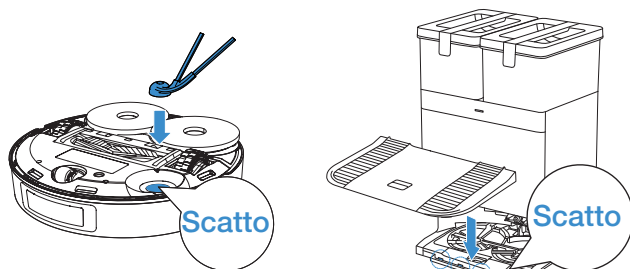
Non sostare in spazi stretti, come i corridoi, per evitare di bloccare il TrueMapping.

2 Avvio rapido

Prima di utilizzare l'apparecchio, rimuovere tutti i materiali protettivi.

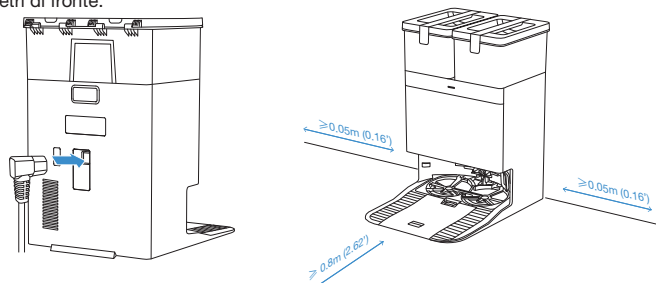
1. Installazione

Il suono dello scatto indica la corretta installazione.



2. Montare e posizionare la stazione

Posizionare la stazione OMNI contro una parete su una superficie piana e dura. Non posizionare oggetti a meno di 0,05 metri su entrambi i lati e a meno di 0,8 metri di fronte.

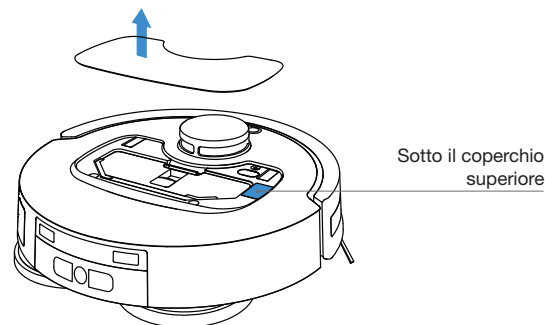


- Se vicino alla stazione sono presenti oggetti riflettenti come specchi e battiscopa, è necessario coprirne i 14 cm inferiori.
- Non posizionare la stazione sotto la luce diretta del sole.
- Per una migliore esperienza di utilizzo, posizionare la stazione in un luogo con un segnale Wi-Fi forte.
- Non utilizzare l'apparecchio su superfici bagnate o con acqua stagnante.
- Non pulire il robot e la stazione con un panno umido, né utilizzare liquidi.

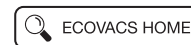
3 Download dell'app ECOVACS HOME

Per sfruttare tutte le funzionalità disponibili, si consiglia di guidare il robot tramite l'app ECOVACS HOME.

1. Scansionare il codice QR sotto il coperchio superiore per scaricare l'app.



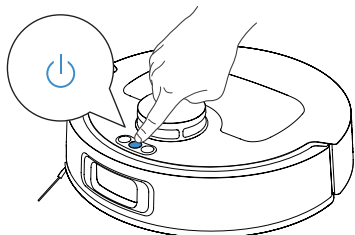
2. Cercare "ECOVACS HOME" nell'App Store o su Google Play per scaricare l'app.



Nota: Seguire le istruzioni nell'app per completare la registrazione, l'accesso e la connessione.

4 Accendere il robot

1. Accendere l'interruttore di alimentazione e posizionare il robot davanti alla stazione collegata all'alimentazione elettrica.



5 Connettere il robot con l'app

Nome	Descrizione
Interfaccia a infrarossi	L'interfaccia a infrarossi è disattivata per impostazione predefinita e si attiva quando il robot è nella stazione di ricarica. Quando il DEEBOT è nella stazione di ricarica, comunica con essa tramite l'interfaccia a infrarossi.
WI-FI*	Abilita il Bluetooth per connettere il robot alla rete durante il processo di configurazione. Il Bluetooth utilizza i servizi GAP1800, GATT1801 e 8888 per una configurazione e interazione sicura dei dati.
App ECOVACS HOME	I prodotti ECOVACS offrono funzioni intelligenti come la configurazione di rete, la mappatura e la selezione della modalità di pulizia (specifica per ciascun prodotto). Per utilizzare queste funzionalità occorre scaricare e utilizzare l'app ufficiale ECOVACS Home.

• I robot aspirapolvere sono pensati per le pulizie domestiche. Per il funzionamento è necessaria una rete Wi-Fi domestica; la protezione anti-DDoS può essere configurata dagli utenti tramite le impostazioni del router.

Requisiti della rete Wi-Fi:


- Si sta utilizzando una rete a 2,4 GHz o mista a 2,4/5 GHz.
- Il router supporta i protocolli 802.11b/g/n e IPv4.
- Non utilizzare una VPN (rete privata virtuale) o un server proxy.
- Non utilizzare una rete nascosta.
- WPA e WPA2 utilizzano la crittografia TKIP, PSK, AES/CCMP.
- WEP EAP (Enterprise Authentication Protocol) non è supportato.
- Utilizzare i canali Wi-Fi 1-11 in Nord America e i canali 1-13 al di fuori del Nord America (fare riferimento all'agenzia di regolamentazione locale).
- Se si utilizza un extender/ripetitore di rete, il nome della rete (SSID) e la password sono gli stessi della rete primaria.
- Abilitare WPA2 sul router.

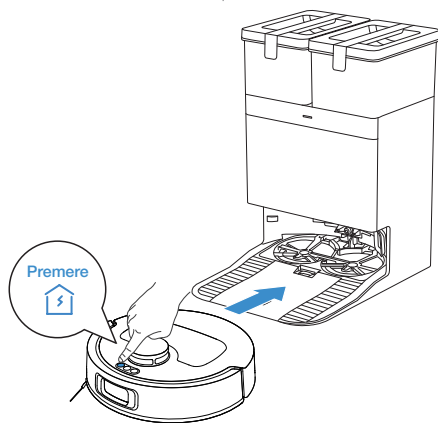
Spia Wi-Fi

	Luce bianca lampeggiante lenta	Scollegato dal Wi-Fi
	Luce bianca lampeggiante veloce	Connessione in corso
	Luce bianca fissa	Connesso al Wi-Fi

Si osservi che le funzionalità intelligenti come l'avvio remoto, l'interazione vocale, la visualizzazione e le impostazioni di controllo delle mappe 2D/3D e la pulizia personalizzata (a seconda dell'apparecchio) richiedono l'App ECOVACS HOME, che viene costantemente aggiornata. È necessario accettare la nostra Politica sulla privacy e il Contratto con l'utente per consentirci di elaborare alcune delle tue informazioni essenziali e necessarie prima di poter utilizzare determinate funzionalità dell'app ECOVACS HOME per controllare l'apparecchio. Qualora non si accettino la nostra Politica sulla privacy e il Contratto con l'utente, tali funzionalità non saranno disponibili. Tuttavia, sarà comunque possibile utilizzare le funzionalità di base di questo apparecchio per il funzionamento manuale.

6 Accendere e caricare il robot

Utilizzare l'app ECOVACS HOME per richiamare il robot oppure premere  sul robot per consentire al robot di agganciarsi per la ricarica.



Nota:

- Quando il robot non è in funzione, mantenerlo acceso e in carica.
- Si consiglia di avviare la pulizia dalla stazione. Non spostare la stazione durante la pulizia.

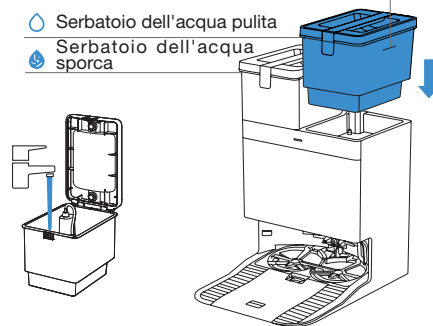
7 Riempimento del serbatoio dell'acqua pulita

Estrarre il serbatoio dell'acqua pulita, aprire il coperchio del serbatoio e riempirlo d'acqua fino al livello massimo. Chiudere il coperchio del serbatoio e reinserire il serbatoio dell'acqua pulita.

— Livello massimo dell'acqua

 Serbatoio dell'acqua pulita

 Serbatoio dell'acqua sporca

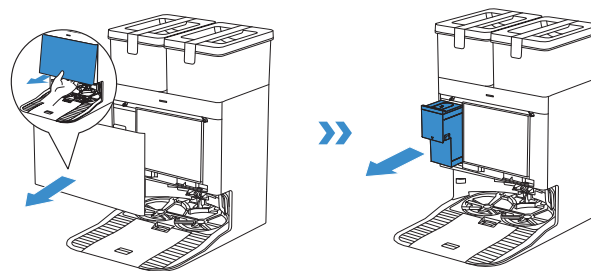


Nota:

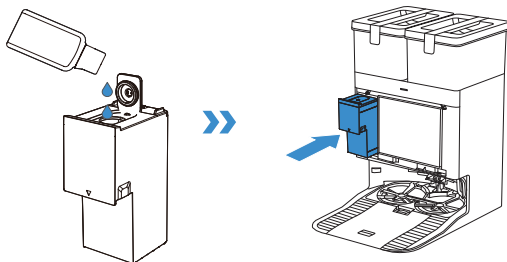
- Utilizzare un panno pulito e asciutto per asciugare l'eventuale acqua sulla superficie del serbatoio prima di posizionarlo.
- Prima dell'uso, chiudere bene i coperchi superiori di entrambi i serbatoi dell'acqua.
- Eventuali segni d'acqua nei serbatoi dell'acqua derivano dal test di funzionamento. È possibile utilizzare il robot con fiducia.

8 Aggiungere la soluzione detergente (venduta separatamente)

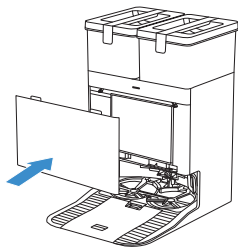
1. Togliere il coperchio dell'alloggiamento di raccolta della polvere, estrarre l'unità della soluzione detergente e posizionarla su una superficie piana e dura.



2. Aprire il coperchio dell'unità della soluzione detergente e riempirlo con la soluzione detergente ECOVACS (venduta separatamente). Rimettere il coperchio sull'unità e questa nella stazione.



3. Posizionare i giunti di accoppiamento sul bordo superiore del coperchio dell'alloggiamento e premere la parte inferiore per installarlo correttamente.



Nota:

- La soluzione detergente viene pompata automaticamente dall'unità della soluzione detergente. Non aggiungere la soluzione detergente nei serbatoi dell'acqua.
- Per migliori prestazioni e una maggiore durata del prodotto, utilizzare la soluzione detergente ECOVACS DEEBOT (venduta separatamente).
- Assicurarsi che nessun oggetto estraneo cada nell'unità della soluzione detergente.

9 Utilizzo del robot

1. Avvio della mappatura


Quando si crea una mappa per la prima volta è consigliabile seguire il robot per risolvere alcuni piccoli problemi.

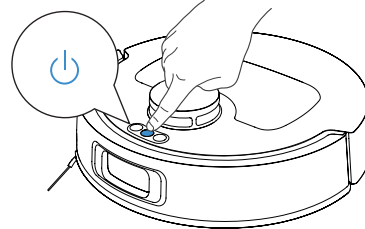
Ad esempio, il robot potrebbe rimanere incastrato sotto i mobili. Fare riferimento alle seguenti soluzioni:

- ① Se possibile, sollevare i mobili bassi.
- ② Coprire la parte inferiore dei mobili.
- ③ Impostare un confine virtuale tramite l'app.

2. Avvio della pulizia

- Il serbatoio dell'acqua del robot viene riempito automaticamente tramite la stazione. Non è necessario il riempimento manuale.
- Durante la pulizia, il robot riconosce i tipi di pavimento ed è in grado di sollevare automaticamente il mocio quando incontra dei tappeti. Si raccomanda di non utilizzare il robot su tappeti pelosi o con fibre più lunghe di 9 mm. Si consiglia di piegare i tappeti pelosi con fibre più lunghe di 9 mm durante il processo di pulizia o di impostare le aree con tappeti pelosi come zone vietate impostando un confine virtuale nell'app ECOVACS HOME.


Prima di effettuare la prima pulizia, assicurarsi che il robot sia nella stazione e completamente carico. Toccare  sul robot per avviarlo. Per avviare, è anche possibile utilizzare l'app ECOVACS HOME.



Nota:

- Non rimuovere frequentemente i mocio lavabili.
- Non graffiare le piastre dei mocio con stracci o altri oggetti.
- Sostituire i mocio tempestivamente, come richiesto dall'app. altri accessori sono descritti nell'app ECOVACS HOME o su <https://www.ecovacs.com>.


3. Pausa

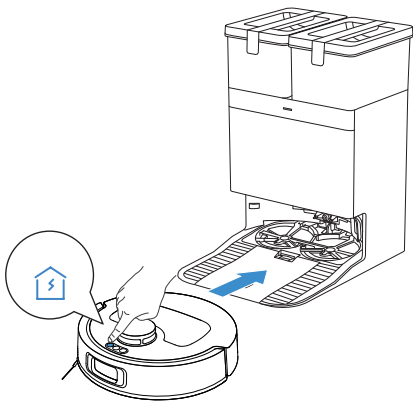
Toccare  sul robot per metterlo in pausa mentre è in funzione. Per mettere in pausa il robot è anche possibile utilizzare l'app ECOVACS HOME.

4. Riattivazione

Dopo una breve messa in pausa, tutte le spie del robot si spegneranno. Premere  per riattivare il robot.

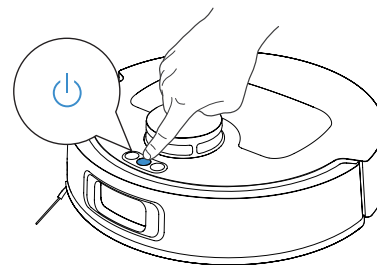
5. Ritorno alla stazione

Utilizzare l'app ECOVACS HOME per richiamare il robot oppure premere il pulsante  sul robot per consentire al robot di agganciarsi per la ricarica.



6. Modalità di sospensione profonda

Per proteggere la batteria, il robot entrerà in modalità Sospensione profonda se rimane fuori dalla stazione per circa 10 ore. Premere su OFF e ON per riattivare il robot.



SPECIFICHE TECNICHE

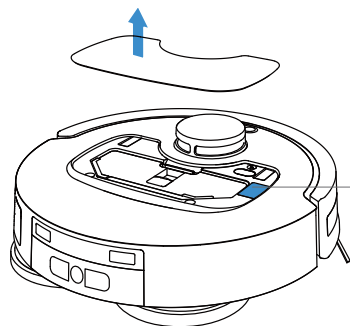
Modello	DLX71		
Ingresso nominale	20 V === 2 A	Tempo di ricarica	circa 4,5 ore
Modello di stazione	CH2471		
Ingresso nominale	220-240 V ~ 50-60 Hz	Uscita nominale	20 V === 2 A
Corrente di ingresso nominale (ricarica)	0,5 A	Potenza (Svuotamento)	650 W
Potenza (lavaggio con acqua calda)	1650 W		
Bande di frequenza	2400-2483,5 MHz		
Alimentazione di standby in rete	Meno di 2,00 W		

La potenza di uscita del modulo wireless è inferiore a 100 mW.

Nota: le specifiche tecniche e di progettazione potrebbero subire modifiche per il miglioramento continuo del prodotto.

Scopri altri accessori su <https://www.ecovacs.com>.

In base ai requisiti del prodotto (funzionalità ed esperienza utente), i nostri prodotti utilizzano un'architettura per elettrodomestici a consumo energetico non ultra-ridotto, quindi non dispongono né di una modalità di spegnimento né di una modalità standby. Dopo una ricarica completa, il dispositivo entrerà in modalità standby di rete entro 20 minuti. La potenza in modalità standby in rete è 1.5 W.



Utilizzare la fotocamera del cellulare per scansionare il codice QR e ottenere la guida per l'utente.

VIKTIGA SÄKERHETSINSTRUKTIONER

VIKTIGA SÄKERHETSINSTRUKTIONER

När du använder en elektrisk apparat ska du alltid följa grundläggande försiktighetsåtgärder, inklusive följande:

LÄS ALLA INSTRUKTIONER INNAN DU ANVÄNDER DENNA APPARAT SPARA DESSA INSTRUKTIONER

1. Den här apparaten får användas av barn från 8 år och uppåt och personer med nedsatt fysisk, sensorisk eller mental förmåga eller brist på erfarenhet och kunskap om de har fått handledning eller anvisningar om hur apparaten används på ett säkert sätt och förstår farorna. Barn får inte leka med apparaten. Rengöring och användarunderhåll får inte utföras av barn utan tillsyn.
2. Städa upp området som ska rengöras. Ta bort sladdar och små föremål från golvet som kan trassla in sig i apparaten.
3. Stoppa in mattfransar under mattan och lyft upp föremål som gardiner och dukar från golvet.
4. Om en nivåskillnad förekommer i rengöringsområdet på grund av ett trappsteg eller en trappa ska du använda apparaten så att det kan säkerställas att den upptäcker trappsteget utan att falla över kanten. Det kan vara nödvändigt att placera en fysisk barriär vid kanten för att förhindra att enheten faller. Se till att den fysiska barriären inte utgör en snubbelrisk.
5. Använd endast i enlighet med beskrivningen i denna manual. Använd endast tillbehör som rekommenderas eller säljs av tillverkaren.
6. ENDAST för hushållsbruk INOMHUS. Använd inte apparaten utomhus eller i kommersiella eller industriella miljöer.
7. Använd inte utan att dammbehållare och/eller filter sitter på plats.
8. Stäng AV strömbrytaren innan du tar bort dammbehållaren.
9. Använd inte apparaten på plats det finns tända ljus eller ömtåliga föremål.
10. Håll hår, löst sittande kläder, fingrar och alla kroppsdelar borta från öppningar och rörliga delar.
11. Använd inte apparaten i ett rum där ett

- spädbarn eller barn sover.
12. Använd inte apparaten på våta ytor eller ytor med stående vatten.
 13. Låt inte apparaten plocka upp stora föremål såsom stenar, stora pappersbitar eller andra föremål som kan täppa igen apparaten.
 14. Använd inte apparaten för att ta upp lättantändliga eller brännbara material såsom bensin eller toner för skrivare eller kopieringsmaskiner, och använd inte i områden där sådana material kan finnas.
 15. Använd inte apparaten för att ta upp något som brinner eller ryker, t.ex. cigaretter, tändstickor, het aska eller annat som kan orsaka brand.
 16. Placera inga föremål i sugintaget. Använd inte om sugintaget är blockerat. Håll intaget rent från damm, ludd, hår och annat som kan minska luftflödet.
 17. Om nätsladden är skadad måste den bytas ut av tillverkaren, dess serviceagent för att undvika fara.
 18. Stäng AV strömbrytaren innan du rengör eller underhåller apparaten.
 19. Den typ av litiumbatteri som är lämplig för










- CH2471 har max. 8 celler, max. nominell spänning på DC 14,4 V och nominell kapacitet på 4 800 mAh. Batteriet måste avlägsnas och kasseras i enlighet med lokala lagar och förordningar innan apparaten kasseras.
20. Kassera använda batterier i enlighet med lokala lagar och förordningar.
 21. Bränn inte apparaten även om den är allvarligt skadad. Batterierna kan explodera i en brand.
 22. Apparaten måste användas i enlighet med anvisningarna i denna användarmanual. Ecovacs Home Service Robotics kan inte hållas ansvarigt eller ansvarigt för skadestånd eller skador som orsakats av felaktig användning.
 23. Roboten innehåller batterier som endast kan bytas av utbildad personal. Kontakta kundtjänst för att byta batteri i roboten.
 24. Se till att strömkällans spänning matchar den strömspänning som anges på OMNI-stationen.
 25. Använd endast det laddningsbara originalbatteriet och OMNI-stationen som medföljer apparaten från tillverkaren. Ej uppladdningsbara batterier är förbjudna.

26. Se till att inte skada nätsladden. Dra eller bär inte apparaten eller OMNI-stationen i sladden, använd inte sladden som handtag, stäng inte en dörr på sladden och dra inte sladden runt vassa kanter eller hörn. Kör inte apparaten över sladden. Håll sladden borta från heta ytor.
27. Använd inte OMNI-stationen om den är skadad. Strömförsörjningen ska inte repareras eller användas längre om den är skadad eller defekt.
28. Använd inte med en skadad nätsladd eller skadat uttag. Använd inte apparaten eller OMNI-stationen om den inte fungerar som den ska, har tappats, skadats, lämnats utomhus eller varit i kontakt med vatten. Den måste repareras av tillverkaren eller dess servicerepresentant för att undvika fara.
29. Kontakten måste dras ut ur uttaget före rengöring eller underhåll av OMNI-stationen.
30. Ta bort apparaten från OMNI-stationen och stäng AV apparatens strömbrytare innan du tar bort batteriet för att kassera apparaten.
31. Om du inte använder OMNI-stationen under en längre tid, koppla ur den.
32. Om roboten inte ska användas under en längre tid, stäng AV den för förvaring och koppla ur OMNI-stationen.
33. **WARNING** – Tillsätt endast rent vatten i den rena tanken.
34. **WARNING:** Batteriet ska endast laddas med den löstagbara enhet, CH2471, som medföljer apparaten.
För att uppfylla kraven för RF-exponering ska ett avstånd på 20 cm eller mer upprätthållas mellan denna enhet och personer när enheten används.
För att säkerställa regelöverensstämmelse rekommenderas inte drift på kortare avstånd än detta. Antennen som används för denna sändare får inte placeras tillsammans med annan antenn eller sändare.

Uppdatering av enheten

Vanligtvis uppdateras vissa enheter varannan månad, men det är inte alltid så exakt. Vissa enheter, särskilt de som såldes för mer än tre år sedan, uppdateras bara om en kritisk sårbarhet hittas och åtgärdas. För att kontrollera den aktuella programvaruversionen och aktivera automatiska uppdateringar, gå till Inställningar > Avancerade

inställningar för roboten > Om din robot > Uppdatering i appen. Den aktuella versionen visas där; tryck på Uppdatering för att öppna sidan och välj Automatisk uppdatering för att aktivera den.

	Varning: het yta
	Kortslutningssäker säkerhetsisoleringstransformator
	Omkopplingsläge för strömförsörjning
	Endast för inomhusbruk
	Likström
	Växelström
	Läs instruktionerna innan du laddar.
	Polaritet för laddningsporten
	Tidsfördröjd miniatyrsäkringsslänk

Fjärrövervakningen är avsedd för absolut privat användning av icke-offentliga, privatägda platser för rent självskydd och endast för en enda kontroll. Var medveten om de lokala dataskyddsbaserade juridiska skyldigheterna vid användning. Ingen övervakning av offentliga platser, särskilt med hemliga avsikter och/eller från arbetsgivarens sida utan motiverade skäl. Sådan omotiverad användning sker endast på användarens risk och ansvar.

Redogörelse för EU-överensstämmelse

Information om bortskaffande för användare av avfall som utgörs av elektrisk och elektronisk utrustning



Den här symbolen på produkten eller dess förpackning visar att begagnade elektriska och elektroniska produkter inte får blandas med osorterat kommunalt avfall. För en korrekt hantering är det ditt ansvar att kassera din maskin genom att lämna in den på ett avsett insamlingsställe.

Om du gör dig av med denna produkt på rätt sätt sparar du värdefulla resurser och förebygger eventuella negativa effekter på människors hälsa och miljön som annars skulle kunna uppstå till följd av olämplig avfallshantering. Om du vill lämna tillbaka din använda enhet kan du använda retur- och insamlingsssystemen eller kontakta återförsäljaren där produkten köptes, vilket är kostnadsfritt. Kontakta din lokala myndighet för mer information om närmaste avsedda insamlingsplats. Påföljder kan tillämpas för felaktigt bortskaffande av detta avfall, i enlighet med nationell lagstiftning.

Information om avfallshantering för användare av begagnade batterier



Den här symbolen anger att batterier och ackumulatorer som är uttjänta inte får blandas med osorterat kommunalt avfall. Ditt deltagande är en viktig del av arbetet med att minimera batteriers och ackumulatorers inverkan på miljön och människors hälsa. För korrekt återvinning kan du återlämna denna produkt eller de batterier eller ackumulatorer som den innehåller till din leverantör eller till en avsedd insamlingsplats, vilket är kostnadsfritt. Om du gör dig av med denna produkt på rätt sätt sparar du värdefulla resurser och förebygger eventuella negativa effekter på människors hälsa och miljön som annars skulle kunna uppstå till följd av olämplig avfallshantering. Påföljder kan tillämpas för felaktigt bortskaffande av detta avfall i enlighet med nationell lagstiftning. Det finns separata insamlingssystem för förbrukade batterier och ackumulatorer. Kassera batterier och ackumulatorer på rätt sätt på din lokala avfallsinsamlings-/återvinningscentral.

Direktivet om begränsning av användningen av vissa farliga ämnen (RoHS)

Ecovacs Home Service Robotics Co., Ltd. försäkrar härmed att hela produkten inklusive delar (kablar, sladdar och så vidare) uppfyller kraven i RoHS-direktivet 2011/65/EU och ändringen kommissionens delegerade direktiv (EU) 2015/863 om begränsning av användningen av vissa farliga ämnen i elektriska och elektroniska produkter ("RoHS-omarbetningen" eller "RoHS 2.0").

Direktiv om radioutrustning

Ecovacs Home Service Robotics Co., Ltd. försäkrar härmed att den produkt som anges i detta avsnitt uppfyller de grundläggande kraven och andra relevanta bestämmelser i direktivet om radioutrustning 2014/53/EU.

Auktoriserad europeisk representant:



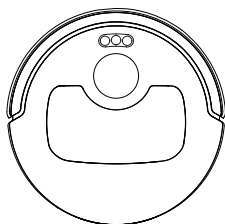
ECOVACS Europe GmbH
Holzstrasse 2 | D-40221 Düsseldorf | Germany

Ecovacs Home Service Robotics Co., Ltd. försäkrar härmed att produkten uppfyller de grundläggande kraven och andra relevanta bestämmelser i RoHS-direktivet 2011/65/EU och ändringen kommissionens delegerade direktiv (EU) 2015/863, direktivet om radioutrustning 2014/53/EU.

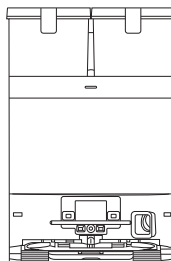
Förklaringen om överensstämmelse kan läsas på följande adress: <https://www.ecovacs.com/global/compliance>.

PAKETKOMPONENTER

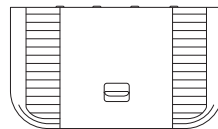
1 FÖRPACKNINGENS INNEHÅLL



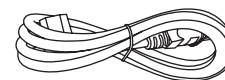
Robot



OMNI-station



Bas



Strömladd



Sidoborste



Bruksanvisning

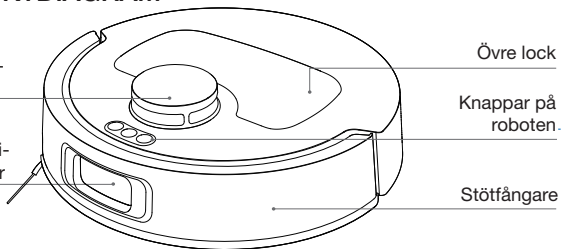
* Siffrorna i den här bruksanvisningen är endast för referens och kan skilja sig från apparaten. Produktens design och specifikationer kan ändras utan föregående meddelande.

2 PRODUKTDIAGRAM

Robot

Navigationssmodul

Modul för undvikande av hinder



Knappar



Tryck: Återgå till stationen Tryck och håll ned: Självrengörande (Roboten befinner sig inte i stationen)



Tryck: Växla Start/Paus/Fortsätt Tryck och håll ner: Ström på/Ström av



Tryck: Starta/avsluta punktrengöring Tryck och håll ned: Aktivera/avaktivera barnlåset

Inuti roboten (Under det övre locket)

Knapp för ÅTERSTÄLLNING

Nätverksinställningar: Tryck på knappen för ÅTERSTÄLLNING så kommer du att höra en röstupmaning om att ansluta roboten till appen.

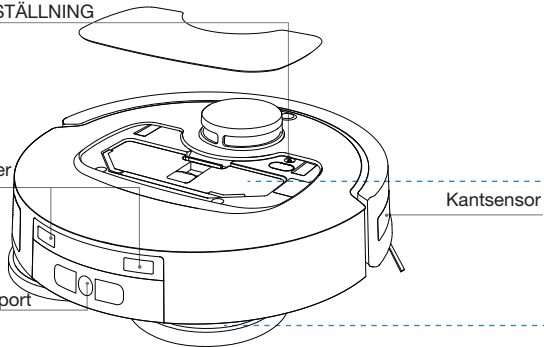
Återställ standardinställningar: Tryck och håll ned knappen för ÅTERSTÄLLNING i 5 sek. När du hör röstupmaningen spelas startmusiken och roboten återställs till standardinställningarna.

Wifi-statusindikator/
Knapp för ÅTERSTÄLLNING

Laddningskontakter

Kantsensor

Vattenpåfyllningsport



Vy bakifrån av undersidan

Trappsensorer

Mattavkännings-sensor

Rullborste

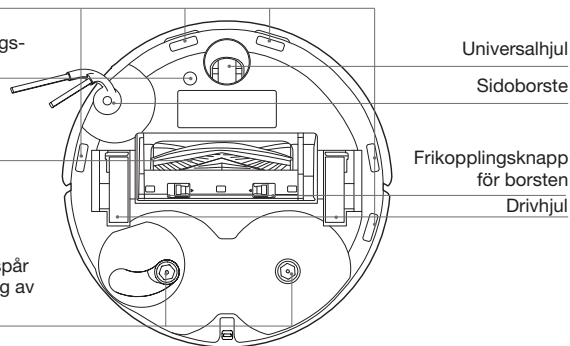
Monteringsspår för montering av moppdynor

Universalhjul

Sidoborste

Frikopplingsknapp för borsten

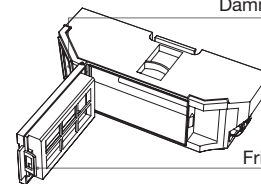
Drivhjul



Dammbehållare

Filter

Dammkasseringsport

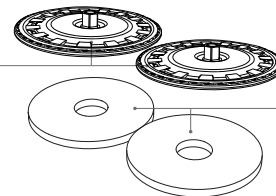


Frikopplingsknapp

Moppdynan

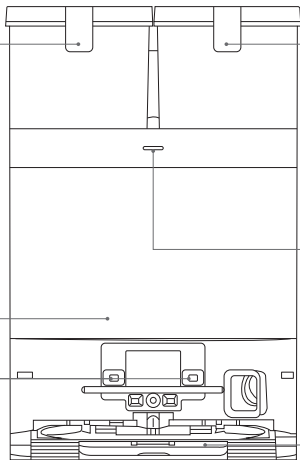
Fästplattor för moppdynorna

Tvättbara moppdynor



OMNI-station

Tank för smuts-
vatten



Tank för rent
vatten



Indikatorlampa

Dammbehållare

Laddningskontakter

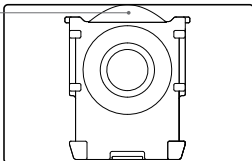
Mopptvättbricka

Observera:

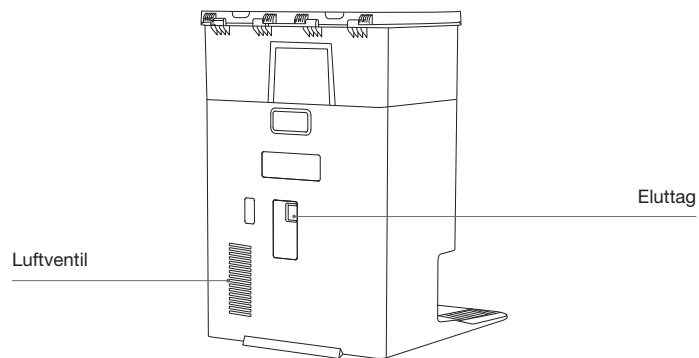
- Blinkar rött: Se anledningen i ECOVACS HOME-appen.
- Om roboten inte laddas ska du torka av laddningskontakterna med en ren och torr trasa.

Dampåse

Handtag för dampåse



OMNI-station (bakifrån)



3 Indikatorlampa

	Ljusindikatorer	Status
Robot	Andas vitt	Laddar
	Fast vitt sken	Fulladdad/Kör
	Blinkar vitt 1 gång	Strömknappen trycks, uppgift startas/pausas/fortsätter
	Fast röd	Låg batterinivå
	Blinkande röd	Larm
Station	Fast vitt sken	Standby/kör
	Blinkande röd	Problem
	Slocknar	Strömavbrott/Djupt viloläge

4 Sensoröversikt

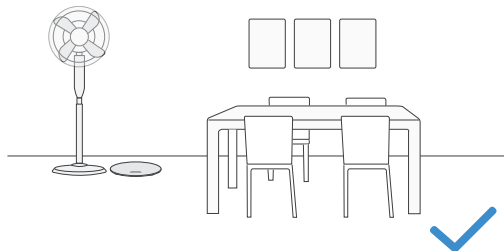
Namn	Funktionsbeskrivning
Navigationsmodul	Laseravståndsmätning används för att mäta avståndet mellan roboten och omgivande föremål baserat på tidsskillnaden i reflektionen, vilket gör att modulens plats kan kartläggas gentemot de omgivande föremålen när roboten förflyttar sig. Detektionsområdet är 8 m.
Modul för undvikande av hinder	Laseravståndsmätning och triangulering används för att mäta avståndet mellan roboten och omgivande hinder. Sensorn sänder ut laserstrålar och tar emot det reflekterade ljuset från hinder framför. När ett hinder upptäcks i närheten vänder roboten automatiskt för att undvika det. Detektionsområdet är 0,3 m.
Trappsensorer	Med infraröd avståndsmätning mäter de infraröda sensorerna på robotens undersida avståndet mellan dess undersida och marken. Roboten rör sig inte framåt när det finns trappor framför den (t.ex. när höjden till den vita ytan är 55 mm eller mer, eller när höjden till den svarta ytan är 30 mm eller mer), och det identifierade avståndet överstiger det förinställda avståndet vilket aktiverar funktionen för att förhindra fall.
Mattavkänningsensor	Sensorn avger ett ultraljud på 300 kHz vars energi absorberas av mattor, vilket får den reflekterade energin att bli lägre än tröskelvärdet. På så vis upptäcker roboten mattor. I ECOVACS-laboratoriet identifieras mer än 50 typer av matta som finns på marknaden.
Krocksensor	Med Optocoupler Switch-principen undviker roboten hinder när den är på väg att krocka.
Kantsensor	Med infraröd mätning kan kantsensorn upptäcka avståndet mellan roboten och föremål vid sidan om den. När det finns en vägg eller ett hinder på höger sida utför roboten kantstädning för att inte missa något område och för att förhindra kollisioner.

FÖRSTA INSTÄLLNING OCH ANVÄNDNING

1 Kom ihåg före rengöring

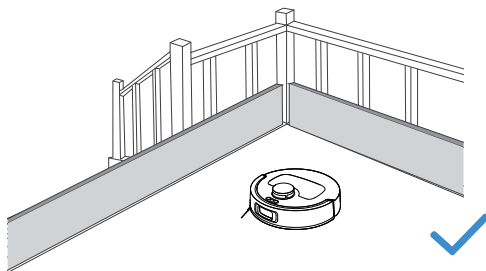
Städa upp området som ska städas

För att städa så stor yta som möjligt ska du placera möbler såsom bord, stolar och golvläktar på sin rätta plats innan du använder roboten. Ställ även undan låga föremål, t.ex. vågar, innan du använder roboten.



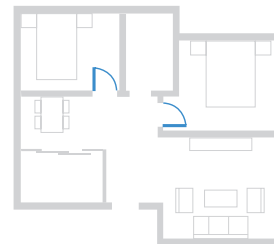
Förhindra att roboten faller

Placera en fysisk barriär vid kanten av en nivåskillnad, t.ex. trappor och trappsteg, för att förhindra att roboten faller över kanten.



Öppna dörrar och hjälp roboten att utforska

Öppna alla rumsdörrar för att hjälpa roboten utforska ditt hem fullt ut under den första städningen.



Plocka upp föremål såsom sladdar, kläder och tofflor från golvet för att förbättra städeffektiviteten.



Innan du använder produkten på en matta med fransar i kanterna, stoppa in fransarna under mattan.



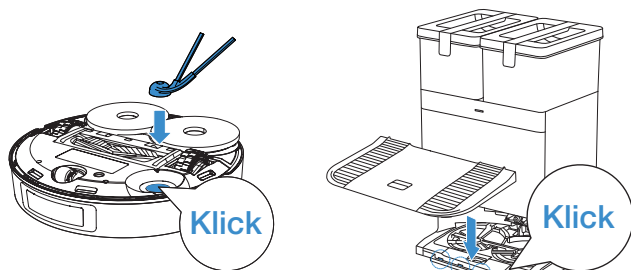
Stå inte i trånga utrymmen, t.ex. korridorer, för att undvika att blockera TrueMapping.

2 Snabbstart

Ta bort allt skyddsmaterial innan du använder apparaten.

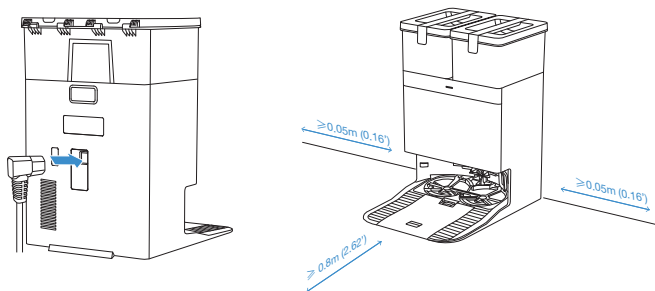
1. Installation

Klickljudet indikerar korrekt installation.



2. Montering och placering av stationen

Placera OMNI-stationen mot en vägg på en jämn, hård yta. Placera inga föremål inom 0,05 m på vardera sidan och 0,8 m framför.

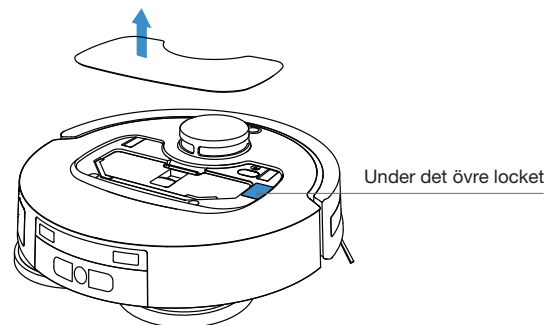


- Om det finns reflekterande föremål såsom speglar och golvlister nära stationen bör de nedre 14 cm av föremålen täckas.
- Placera inte stationen i direkt solljus.
- Placera stationen på en plats med en stark Wi-Fi-signal för en bättre användarupplevelse.
- Använd inte apparaten på våta ytor eller ytor med stående vatten.
- Torka inte av roboten eller stationen med en fuktig trasa och använd inga vätskor.

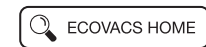
3 Ladda ner ECOVACS HOME-appen

För att få tillgång till alla tillgängliga funktioner rekommenderas det att du styr din robot via ECOVACS HOME-appen.

1. Ladda ner appen genom att skanna QR-koden under det övre locket.



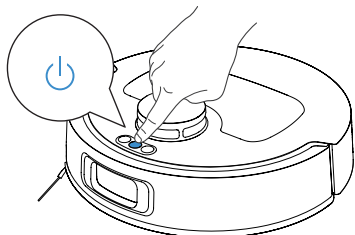
2. Sök efter "ECOVACS HOME" i App Store eller Google Play för att ladda ner appen.



Observera: Följ anvisningarna i appen för att slutföra registrering, inloggning och anslutning.

4 Starta roboten

1. Slå på strömbrytaren och placera roboten framför stationen som är ansluten till elnätet.



5 Anslut roboten till appen


Namn	Beskrivning
Infrarött gränssnitt	Det infraröda gränssnittet är inaktiverat som standard och aktiveras när roboten är i laddstationen. När DEEBOT är i laddstationen kommunicerar den med laddstationen via det infraröda gränssnittet.
Wifi*	Underlätta överföringen av data mellan appen och roboten och göra det möjligt att styra roboten via appen.
ECOVACS HOME-appen	ECOVACS-produkter erbjuder smarta funktioner såsom nätverksinstallation, kartläggning och val av rengöringsläge (specifikt för varje produkt). För att kunna använda de här funktionerna måste du ladda ner och använda den officiella ECOVACS Home-appen.

• Robotdammsugarna i robotserien är avsedda för städning i hemmet. Ett Wi-Fi-nätverk där du kan konfigurera DDoS-skydd under routerinställningarna krävs för drift i hemmet.

Wi-Fi-nätverkskrav:


- Du använder ett 2,4 GHz eller 2,4/5 GHz blandat nätverk.
- Din router stöder 802.11b/g/n och IPv4-protokollet.
- Använd inte VPN (virtuellt privat nätverk) eller en proxyserver.
- Använd inte ett dolt nätverk.
- WPA och WPA2 med TKIP-, PSK- och AES/CCMP-kryptering.
- WEP EAP (Enterprise Authentication Protocol) stöds inte.
- Använd wifi-kanal 1–11 i Nordamerika och kanal 1–13 utanför Nordamerika (se lokala tillsynsmyndigheter).
- Om du använder en nätverksförlängare/repeater är nätverksnamnet (SSID) och lösenordet detsamma som för ditt primära nätverk.
- Aktivera WPA2 på din router.

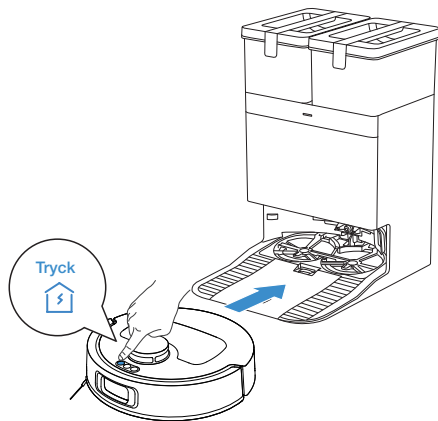
Wi-Fi-indikatorlampa

	Långsamt blinkande vitt ljus	Bortkopplad från Wi-Fi
	Snabbt blinkande vitt ljus	Ansluter
	Fast vitt ljus	Ansluten till Wi-Fi

Tänk på att intelligenta funktioner som fjärrstart, röstinteraktion, 2D/3D-kartvisning och kontrollinställningar samt anpassad rengöring (beroende på apparaten) kräver ECOVACS HOME-appen, som uppdateras ständigt. Du måste godkänna vår integritetspolicy och vårt användaravtal så att vi kan behandla vissa av dina väsentliga och nödvändiga uppgifter innan du kan använda vissa funktioner i ECOVACS HOME-appen för att styra enheten. Om du inte samtycker till vår integritetspolicy och vårt användaravtal är sådana funktioner inte tillgängliga. Du kan dock fortfarande använda apparatens grundläggande funktioner för manuell drift.

6 Slå på och ladda roboten

Använd ECOVACS HOME-appen för att återkalla roboten eller tryck på  på roboten för att låta den docka för laddning.

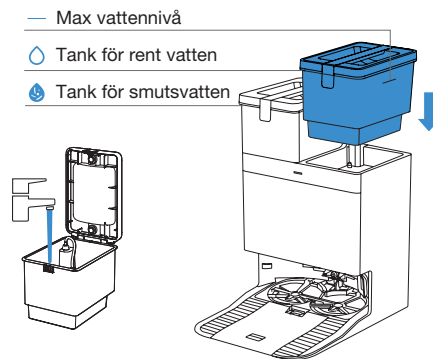


Observera:

- När roboten inte används bör den vara påslagen och laddas.
- Det rekommenderas att påbörja städning från stationen. Flytta inte stationen under pågående städning.

7 Påfyllning av tanken för rent vatten

Ta ut tanken för rent vatten, öppna tanklocket och fyll tanken med vatten upp till den maximala vattennivån. Stäng tanklocket och sätt tillbaka tanken för rent vatten.

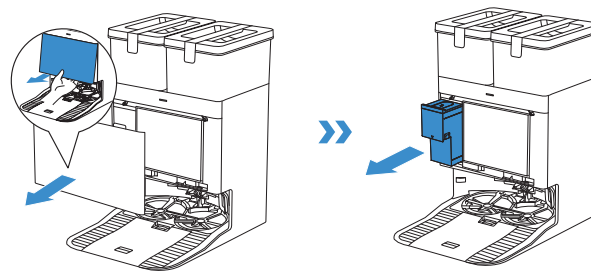


Observera:

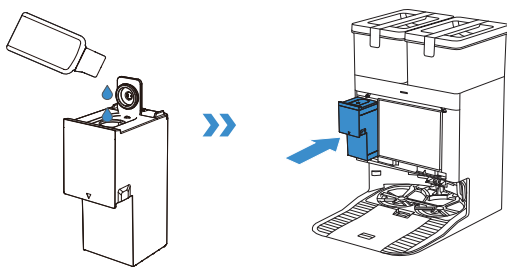
- Använd en ren, torr trasa för att torka bort vattnet på tankens yta innan du sätter den på plats.
- Se till att låsa de övre locken på båda vattentankarna ordentligt före användning.
- Eventuella vattenmärken i vattentankarna är från funktionstester. Använd det med tillförsikt.

8 Lägg till rengöringslösning (säljs separat)

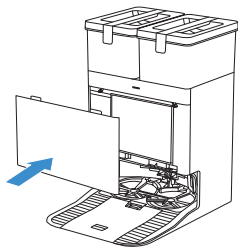
1. Ta av dammbehållarens lock, dra ut enheten för rengöringslösningen och placera den på en jämn, hård yta.



2. Ta av locket på enheten för rengöringslösningen och fyll den med ECOVACS rengöringslösning (säljs separat). Sätt på locket och sätt tillbaka enheten i stationen.



3. Placera passningsfogarna i den övre kanten av dammbehållarens lock och tryck på dess nedre del för att installera den ordentligt.



Observera:

- Rengöringsmedlet pumpas automatiskt från rengöringsmedelsheten. Tillsätt inte rengöringsmedel i vattentankarna.
- Förbättra produktens prestanda och förläng dess livslängd genom att använda ECOVACS DEEBOT rengöringsmedel (säljs separat).
- Se till att inga främmande föremål kommer in i rengöringsmedelsheten.

9 Drift av roboten

1. Starta kartläggning


När du skapar en karta för första gången, följ roboten för att hjälpa till att lösa mindre problem.

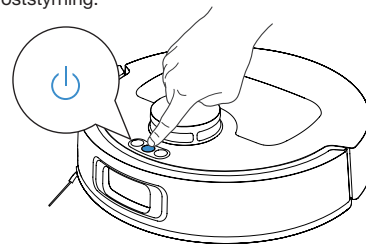
Roboten kan till exempel fastna under möbler. Se följande lösningar:

- ① Höj lägre möbler om möjligt;
- ② Täck möbelns nederdel;
- ③ Ställ in en virtuell gräns via appen.

2. Påbörja städning

- Robotens vattentank fylls automatiskt på via stationen. Manuell påfyllning behövs inte.
- Vid moppning känner roboten igen olika golvtypen och lyfter mopparna automatiskt när den stöter på mattor. Använd inte roboten på lurviga mattor eller mattor med fibrer längre än 9 mm. Det rekommenderas att lurviga mattor med fibrer längre än 9 mm viks ihop under rengöringen, eller ställ in områden med lurviga mattor som spårzoner genom att ställa in virtuella gränser i ECOVACS HOME-appen.


Se till att roboten är i stationen och är fulladdad före första städningen. Tryck på  på roboten för att starta. Du kan också starta den från ECOVACS HOME-appen eller med röststyrning.




Observera:

- Ta inte bort de tvättbara moppdynorna ofta.
- Repa inte moppdynornas fästplattor med en trasa eller andra föremål.
- Byt ut moppdynorna i tid enligt anvisningarna från appen. Utforska fler tillbehör i ECOVACS HOME-appen eller på <https://www.ecovacs.com>.


3. Pausa

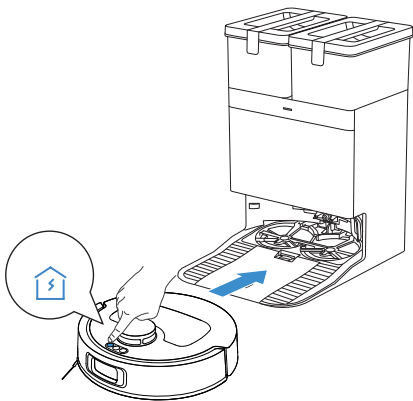
Tryck på  på roboten för att pausa den när används. Du kan också använda ECOVACS HOME-appen för att pausa roboten.

4. Aktivering

Efter att ha pausat en stund slocknar alla indikatorlampor på roboten. Aktivera roboten genom att trycka på .

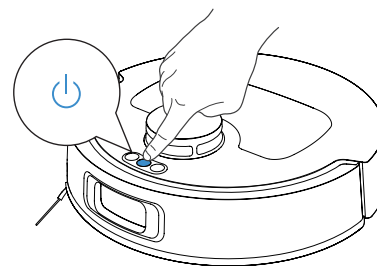
5. Tillbaka till stationen

Använd ECOVACS HOME-appen för att återkalla roboten eller tryck på  -knappen på roboten för att låta roboten docka för laddning.



6. Djupt viloläge

Roboten försätts i djupt viloläge om den stannar utanför stationen i cirka 10 timmar för att skydda batteriet. Tryck AV och PÅ för att väcka roboten.



TEKNISKA SPECIFIKATIONER

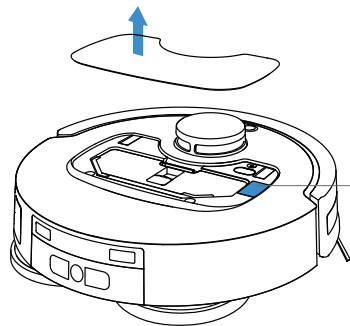
Modell	DLX71		
Nominell ingångseffekt	20 V === 2 A	Laddningstid	ca 4,5 h
Stationsmodell	CH2471		
Nominell ingångseffekt	220–240 V – 50–60 Hz	Nominell utgångseffekt	20 V === 2 A
Ingångsström (laddning)	0,5 A	Ström (tömning)	650 W
Ström (mopp för varmvattentvätt)	1 650 W		
Frekvensband	2400–2483,5 MHz		
Nätverksansluten standby-ström	Mindre än 2,00 W		

Utteffekten för den trådlösa modulen är mindre än 100 mW.

Observera: Tekniska specifikationer och designspecifikationer kan komma att ändras för kontinuerlig produktförbättring.

Se fler tillbehör på <https://www.ecovacs.com>.

Baserat på produktkrav (funktionalitet och användarupplevelse) använder våra produkter en enhetsarkitektur som inte har ultralåg effekt, så det finns inget av-läge och inget standby-läge. Efter att maskinen är fulladdad går den in i nätverkets standby-läge inom 20 minuter. Nätverksanslutet standby-läges effekt är 1.5 W.



Använd mobilkameran för att skanna QR-koden och få bruksanvisningen.

VIKTIGE SIKKERHETSINSTRUKSJONER

VIKTIGE SIKKERHETSINSTRUKSJONER

Når du bruker et elektrisk apparat, bør grunnleggende forholdsregler alltid følges, inkludert følgende:

LES ALLE INSTRUKSJONER FØR DU BRUKER DETTE APPARATET LAGRE DISSE INSTRUKSJONENE

1. Dette apparatet kan brukes av barn fra åtte år og oppover og personer med reduserte fysiske, sensoriske eller mentale evner eller mangel på erfaring og kunnskap hvis de har fått tilsyn eller instruksjoner om bruk av apparatet på en sikker måte og forstår farene. involvert. Barn skal ikke leke med apparatet. Rengjøring og brukervedlikehold skal ikke utføres av barn uten tilsyn.
2. Rydd området som skal rengjøres. Fjern strømledninger og små gjenstander fra gulvet som kan vikle seg inn i apparatet.
3. Stikk teppefrynser under teppebunnen, og løft gjenstander som gardiner og duker opp fra gulvet.
4. Hvis det faller av i rengjøringsområdet på grunn av et trinn eller en trapp, bør du bruke apparatet for å sikre at det kan oppdage trinnet uten å falle over kanten. Det kan bli nødvendig å plassere en fysisk barriere ved kanten for å forhindre at enheten faller. Sørg for at den fysiske barrieren ikke er en snublefare.
5. Bruk kun som beskrevet i denne håndboken. Bruk kun tilbehør som er anbefalt eller solgt av produsenten.
6. KUN for INNENDØRS husholdningsbruk. Ikke bruk apparatet utendørs, i kommersielle eller i industrielle miljøer.
7. Ikke bruk uten støvbeholder og/eller filtre på plass.
8. Slå AV strømbryteren før du fjerner støvbeholderen.
9. Ikke bruk apparatet i et område der det er tente stearinlys eller skjøre gjenstander.
10. Hold hår, løse klær, fingre og alle kroppsdeler unna åpninger og bevegelige deler.
11. Ikke bruk apparatet i et rom der et spedbarn eller barn sover.
12. Ikke bruk apparatet på våte overflater eller

- overflater med stående vann.
13. Ikke la apparatet plukke opp store gjenstander som steiner, store papirbiter eller gjenstander som kan tette apparatet.
 14. Ikke bruk apparatet til å plukke opp brennbare materialer som bensin, skriver- eller kopimaskintoner. Bruk ikke apparatet i områder der disse kan være tilstede.
 15. Ikke bruk apparatet til å plukke opp noe som brenner eller ryker, for eksempel sigaretter, fyrstikker, varm aske eller annet som kan forårsake brann.
 16. Ikke stikk gjenstander inn i sugeinntaket. Må ikke brukes hvis sugeinntaket er blokkert. Hold inntaket fri for støv, lo, hår eller annet som kan redusere luftstrømmen.
 17. Hvis strømledningen er skadet, må den skiftes ut av produsenten eller servicerepresentanten for å unngå fare.
 18. Slå AV strømbryteren før du rengjør eller vedlikeholder apparatet.
 19. Litiumbatteritypen som passer for CH2471 er maks. 8 celler, maks. nominell spenning DC 14,4V, nominell kapasitet 4 800 mAh. Batteriet må fjernes og kasseres i henhold til lokale lover og forskrifter før apparatet kastes.
 20. Kast brukte batterier i henhold til lokale lover og forskrifter.
 21. Ikke brenn apparatet selv om det er alvorlig skadet. Batteriene kan eksplodere i brann.
 22. Apparatet må brukes i samsvar med instruksjonene i denne bruksanvisningen. Ecovacs Home Service Robotics kan ikke holdes ansvarlig eller ansvarlig for skader forårsaket av feil bruk.
 23. Roboten inneholder batterier som kun kan skiftes ut av fagfolk. For å bytte ut robotens batteri, må du kontakte kundeservice.
 24. Sørg for at spenningen på strømkilden samsvarer med strømspenningen merket på OMNI-stasjonen.
 25. Bruk kun det originale oppladbare batteriet og OMNI-stasjonen som følger med apparatet fra produsenten. Ikke-oppladbare batterier er forbudt.
 26. Pass på at du ikke skader strømledningen. Ikke trekk i eller bær apparatet eller OMNI-stasjonen i strømledningen, bruk strømledningen som håndtak, lukk en dør på strømledningen, eller trekk strømledningen

- rundt skarpe kanter eller hjørner. Ikke kjør apparatet over strømledningen. Hold strømledningen unna varme overflater.
27. Ikke bruk OMNI-stasjonen hvis den er skadet. Strømforsyningen skal ikke repareres og skal ikke brukes lenger hvis den er skadet eller defekt.
 28. Ikke bruk med en skadet strømledning eller stikkontakt. Ikke bruk apparatet eller OMNI-stasjonen hvis det ikke fungerer som det skal, den har blitt mistet, skadet, forlatt utendørs eller kommet i kontakt med vann. Den må repareres av produsenten eller servicerepresentanten for å unngå fare.
 29. Støpselet må tas ut av stikkontakten før rengjøring eller vedlikehold av OMNI-stasjonen.
 30. Fjern apparatet fra OMNI-stasjonen, og slå AV strømbryteren til apparatet før du tar ut batteriet for avhending av apparatet.
 31. Når du ikke bruker OMNI-stasjonen over en lengre periode, må du koble fra den.
 32. Hvis roboten ikke skal brukes på lang tid, slår du AV roboten for lagring og kobler fra OMNI-stasjonen.

33. ADVARSEL – Tilsett kun rent vann i den rene tanken.

34. **ADVARSEL:** For å lade opp batteriet, bruk kun den avtagbare forsyningsenheten CH2471 som følger med denne enheten.

For å tilfredsstille kravene til RF-eksponering, bør det opprettholdes en avstand på 20 cm eller mer mellom denne enheten og personer under drift av enheten.

For å sikre samsvar anbefales ikke drift nærmere enn denne avstanden. Antennen som brukes til denne senderen må ikke plasseres sammen med noen annen antenne eller sender.

Enhetsoppdatering

Noen enheter oppdateres vanligvis hver annen måned, men ikke alltid så spesifikt.

Noen enheter, spesielt de som ble solgt for mer enn tre år siden, vil bare bli oppdatert hvis en kritisk sårbarhet blir funnet og fikset.

For å sjekke den gjeldende programvareversjonen og aktivere automatiske oppdateringer, gå til Innstillinger > Avanserte robotinnstillinger > Om roboten din > Oppdatering i appen. Den gjeldende versjonen vises der; trykk på Oppdatering for å gå til siden og velg Automatisk oppdatering for å aktivere den.

	Forsiktig: varm overflate
	Kortslutningssikker sikkerhetsisolerende transformator
	Svitsjet strømforsyning
	Kun for innendørs bruk
	Likestrøm
	Vekselstrøm
	Les instruksjonene før du lader.
	Ladeportens polaritet
	Tidsforsinket miniatyrsikringslenke

Fjernovervåkingen er kun for absolutt privat bruk av ikke-offentlige, privateide steder, utelukkende for selvbeskyttelse og tiltenkt enkeltkontroll. Vær oppmerksom på de lokale databeskyttelsesbaserte juridiske forpliktelsene i tilfelle bruk. Ingen overvåking av offentlige steder, spesielt med hemmelig hensikt og/eller fra arbeidsgivers side uten berettiget grunn. Slik ikke berettiget bruk er kun på brukerens risiko og ansvar.

EU-samsvarserklæring

Informasjon for brukere om avhending og avfall fra elektrisk og elektronisk utstyr



Dette symbolet på produktet eller på emballasjen angir at brukte elektriske og elektroniske produkter ikke skal blandes med usortert kommunalt avfall. For riktig behandling er det ditt ansvar å avhende utstyrsavfallet ved å returnere det til anviste innsamlingssteder.

Riktig avhending av dette produktet vil bidra til å spare verdifulle ressurser og forhindre potensielle negative effekter på menneskers helse og miljøet, noe som kan oppstå ved feil avfallshåndtering. For å returnere din brukte enhet, bruk retur- og innsamlingssystemene eller kontakt forhandleren der produktet ble kjøpt, som er gratis. Kontakt din lokale myndighet for mer informasjon om innsamlingspunktet nærmest deg. Feil avhending av dette avfallet kan medføre sanksjoner i samsvar med den gjeldende nasjonale lovgivningen.

Informasjon om avhending for brukere av brukte batterier



Dette symbolet betyr at utgåtte batterier og akkumulatører ikke skal blandes med usortert kommunalt avfall. Din deltakelse er en viktig del av arbeidet med å minimere påvirkningen av batterier og akkumulatører på miljøet og menneskers helse. For riktig resirkulering kan du returnere dette produktet eller batteriene eller akkumulatorene det inneholder til leverandøren eller til et angitt innsamlingspunkt, hvilket er gratis.

Riktig avhending av dette produktet vil bidra til å spare verdifulle ressurser og forhindre potensielle negative effekter på menneskers helse og miljøet, noe som kan oppstå ved feil avfallshåndtering. Feil avhending av dette avfallet kan medføre sanksjoner i samsvar med den gjeldende nasjonale lovgivningen.

Det finnes egne innsamlingssystemer for brukte batterier og akkumulatører.

Avhend batterier og akkumulatører på riktig måte ved ditt lokale avfallsinnsamlings-/gjenvinningspunkt.

Direktiv om bruksbegrensning for visse farlige stoffer (RoHS)

Ecovacs Home Service Robotics Co., Ltd. erklærer herved at hele produktet, inkludert deler (kabler, ledninger og så videre), oppfyller kravene i RoHS-direktiv 2011/65/EU og endringer av delegert kommisjonsdirektiv (EU) 2015/863 om begrensning av bruken av visse farlige stoffer i elektrisk og elektronisk utstyr («RoHS recast» eller «RoHS 2.0»).

Radioutstyrsdirektiv

Ecovacs Home Service Robotics Co., Ltd. erklærer herved at produktet som er oppført i denne delen, samsvarer med de grunnleggende kravene og andre relevante bestemmelser i radioutstyrsdirektivet 2014/53/EU.

Autorisert Europarepresentant:



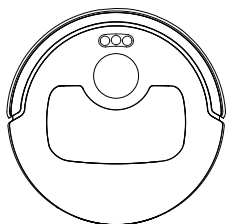
ECOVACS Europe GmbH
Holzstrasse 2 | D-40221 Düsseldorf | Tyskland

Ecovacs Home Service Robotics Co., Ltd. erklærer herved at produktet overholder de grunnleggende kravene og andre relevante bestemmelser i RoHS-direktivet 2011/65/EU og kommisjonens delegerte direktiv (EU) 2015/863, radioutstyrsdirektivet 2014/53/EU.

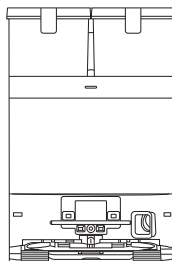
Samsvarserklæringen kan ses på følgende adresse:
<https://www.ecovacs.com/global/compliance>.

PAKKEKOMPONENTER

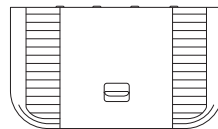
1 PAKKENS INNHOLD



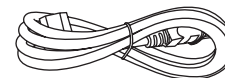
Robot



OMNI-stasjon



Base



Strømledning



Sidebørste



Bruksanvisning

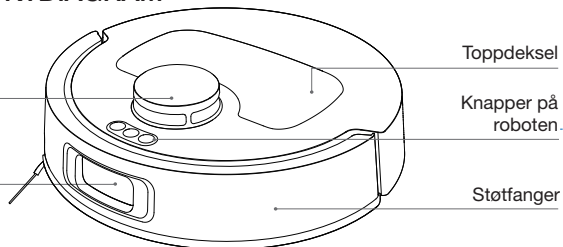
* Figurene i denne håndboken er bare for referanse og kan avvike fra apparatet. Produktdesign og spesifikasjoner kan endres uten varsel.

2 PRODUKTDIAGRAM

Robot

Navigasjonsmodul

Hindringsunngåelsesmodul



Toppeksel

Knapper på roboten

Støtfanger

Knapper



Trykk på: gå tilbake til stasjonen (robot ikke på stasjonen)

Trykk og hold: Selvrrensende



Trykk på: Veksle start/pause/fortsett

Trykk og hold: Slå på/av



Trykk på: Start/avslutt flekkrengjøring

Trykk og hold: Aktiver/deaktiver barnlås

Inne i roboten (under toppekselet)

TILBAKESTILL-knapp

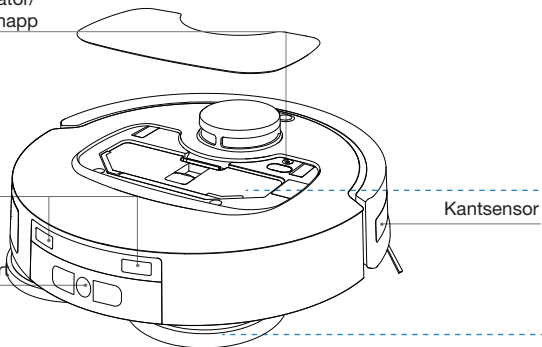
Nettverksoppsett: Trykk på TILBAKESTILL-knappen, og du vil høre en talemelding om å koble roboten til appen.

Gjenopprett standardinnstillinger: Trykk på TILBAKESTILL-knappen og hold i 5 sekunder. Etter at du hører talemeldingen, spilles oppstartsmusikken og roboten gjenopprettes til standardinnstillingene.

Wi-Fi-statusindikator/
TILBAKESTILL-knapp

Ladekontakter

Vannpåfyllingsport



Kantsensor

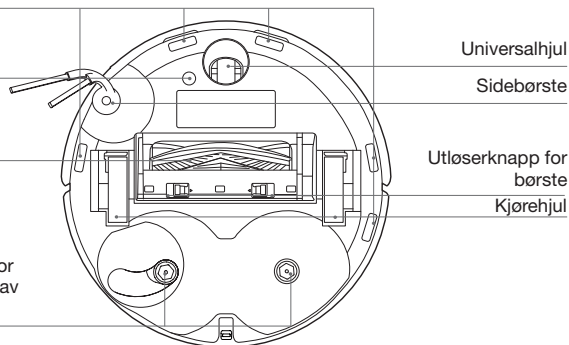
Sett nedenfra bakfra

Anti-fallsensorer

Teppedeteksjonssensor

rullebørste

Monteringsspor for montering av moppepute



Universalhjul

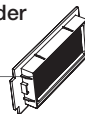
Sidebørste

Utløserknapp for børste

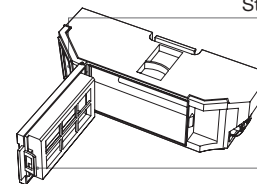
Kjørehjul

Støvbeholder

Filter



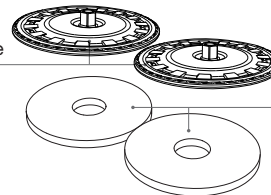
Støvtømmingsport



Utløserknapp

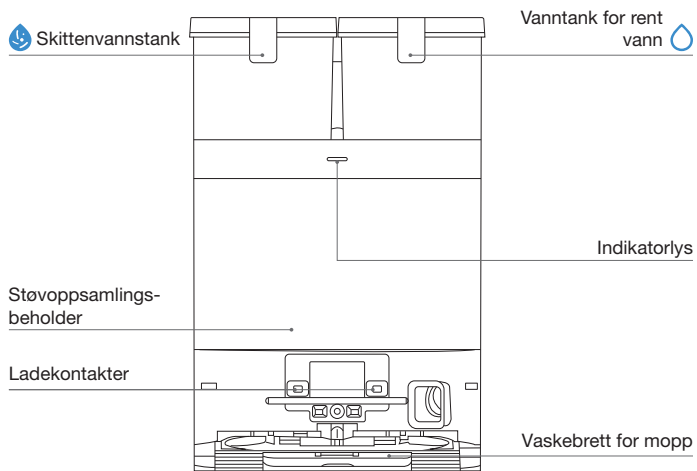
Montering av moppepute

Plater for moppepute



Vaskbare moppeputer

OMNI-stasjon

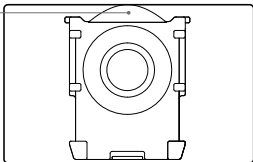


Merk:

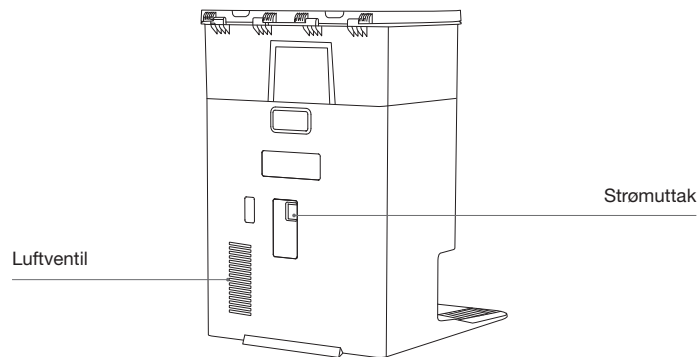
- Blinker rødt: Sjekk ECOVACS HOME-appen for årsaken.
- Hvis roboten ikke lar seg lade, tørker du ladekontaktene med en ren og tørr klut.

Støvpose

Håndtak for støvpose



OMNI-stasjon (sett bakfra)



3 Indikatorlys

	Lyseffekt	Tilstand
Robot	Puster Hvitt	Lader
	Konstant Hvit	Fulladet/Kjører
	Hvitt lys blinker 1 gang	Strømknappen utløst, oppgave starter/pauser/fortsetter
	Konstant rødt	Lavt Batteri
	Blinker Rødt	Alarm
Stasjon	Konstant Hvit	Standby/Kjører
	Blinker Rødt	Feil
	Går ut:	Strømbrudd/dvalemodus

4 Oversikt over sensorer

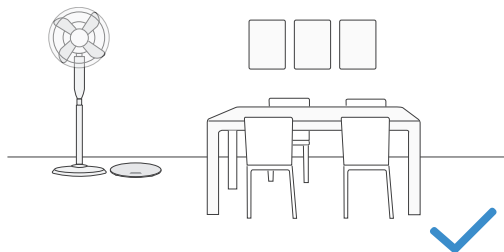
Navn	Beskrivelse av funksjon
Navigasjonsmodul	Laseravstandsmåling brukes for å måle avstanden mellom roboten og omkringliggende objekter basert på tidsforskjellen til refleksjon, slik at modulen kan kartlegges mot objektene rundt mens roboten beveger seg. Måleområdet er 8 m.
Hindringsunngåelsesmodul	Laseravstandsmåling og triangulering brukes til å måle avstanden mellom roboten og omkringliggende hindringer. Sensoren sender ut laserstråler og mottar det reflekterte lyset fra hindringer foran. Når en hindring oppdages innenfor nært hold, snur roboten automatisk for å unngå det. Deteksjonsområdet er 0,3 m.
Anti-fallsensorer	Med infrarød måling blir avstanden mellom bunnen av roboten og bakken oppdaget av de infrarøde sensorene nederst. Roboten vil ikke bevege seg fremover når det er trapp foran (for eksempel hvis høyden til en hvit overflate er 55 mm eller mer, eller høyden til en svart overflate er 30 mm eller mer), og den oppdagede høyden overstiger den forhåndsinnstilte grensen, og aktiverer anti-fallfunksjonen.
Teppeteteksjonssensor	Sensoren sender ut 300 kHz ultralyd. Denne energien vil bli absorbert av teppet, noe som fører til at ekkoen blir lavere enn terskelen. Roboten oppdager dermed teppets tilstedeværelse. I ECOVACS-laboratoriet identifiseres mer enn 50 typer tepper som er tilgjengelige på markedet.
Antikollisjonssensor	Med prinsippet til Optocoupler Switch vil roboten unngå hindringer når de er i ferd med å kollidere.
Kantsensor	Med infrarød måling registrerer kantsensoren avstanden mellom roboten og objekter på siden. Når det er en vegg eller hindringer på høyre side, utfører roboten kantrens for å unngå å gå glipp av noen flekker og forhindre kollisjoner.

FØRSTE OPPSETT OG BRUK

1 Merknader før rengjøring

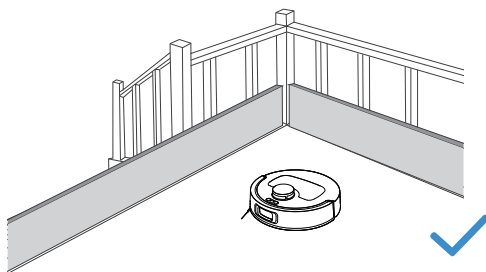
Rydd opp i området som skal rengjøres

For maksimalt mulig rengjøringsområde, må du plassere møbler, som bord, stoler og pidestallvifter, på riktig plass og legge bort lavtliggende gjenstander, som vektvekter, før du bruker roboten.



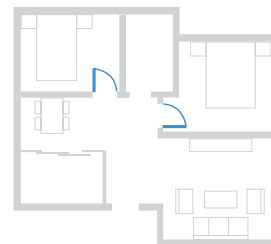
Forhindre at roboten faller

Plasser en fysisk barriere ved kanten av et fall, for eksempel trapper og trinn, for å hindre roboten fra å falle over kanten.



Åpne dører og hjelp roboten med å utforske

Åpne alle dører til rom for å hjelpe roboten å utforske huset ditt helt nederst i første gangs rengjøring.



Fjern gjenstander, inkludert kabler, klær og tøfler, fra gulvet for å forbedre rengjørings effektiviteten.



Før du bruker produktet på et teppe med duskanter, må du brette teppet og stikke duskene under teppet.



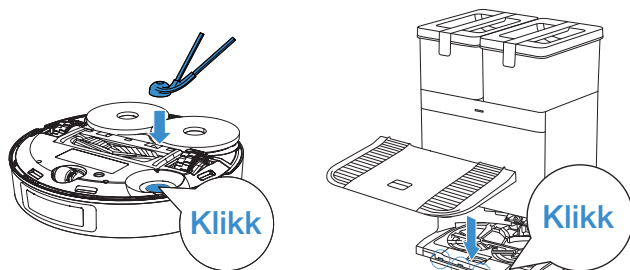
Skikk stå i trange rom, for eksempel ganger, for å unngå å blokkere TrueMapping.

2 Hurtigstart

Fjern alt beskyttelsesmateriale før du bruker apparatet.

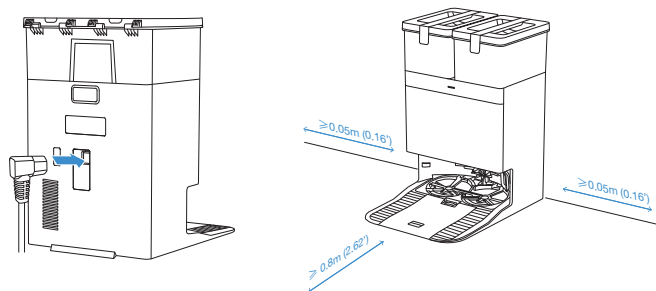
1. Installasjon

Klikkelyden indikerer riktig installasjon.



2. Sett sammen og plasser stasjonen

Plasser OMNI-stasjonen mot en vegg på et flatt, hardt underlag. Ikke plasser gjenstander innenfor 0,05 meter på hver side og 0,8 meter foran.

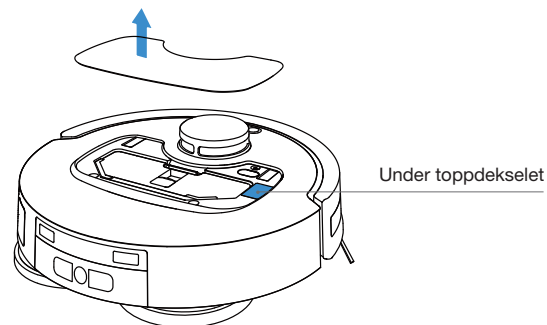


- Hvis det er reflekterende gjenstander som speil og reflekterende gulvlister i nærheten av stasjonen, bør de nederste 14 cm av objektene dekkes.
- Ikke plasser stasjonen i direkte sollys.
- Plasser stasjonen på et sted med et sterkt Wi-Fi-signal for bedre brukeropplevelse. Ikke bruk apparatet på våte overflater eller overflater med stående vann.
- Ikke tørk av roboten og stasjonen med en fuktig klut eller bruk væske.

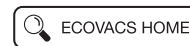
3 Laste ned ECOVACS HOME-APPEN

For å nyte alle tilgjengelige funksjoner, anbefales det at du kontrollerer roboten via ECOVACS HOME-appen.

1. Skann QR-koden under toppdekelet for å laste ned appen.



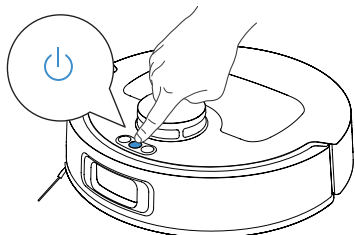
2. Søk på «ECOVACS HOME» på App Store eller Google Play for å laste ned appen.



Merk: Følg instruksjonene på appen for å fullføre registreringen, påloggingen og tilkoblingen.

4 Slå på roboten

1. Slå på strømbryteren og plasser roboten foran stasjonen som er koblet til strømforsyningen.



5 Koble roboten til appen


Navn	Beskrivelse
Infrarød grensesnitt	Det infrarøde grensesnittet er deaktivert som standard og aktiveres når roboten er i ladestasjonen. Når DEEBOT er i ladestasjonen, kommuniserer den med ladestasjonen via det infrarøde grensesnittet.
Wi-Fi*	Forenkler dataoverføring mellom appen og roboten, slik at du kan kontrollere roboten gjennom appen.
ECOVACS HOME-appen	ECOVACS-produkter tilbyr smarte funksjoner som nettverksoppsett, kartlegging og valg av rengjøringsmodus (spesifikt for hvert produkt). For å bruke disse funksjonene må brukere laste ned og bruke den offisielle ECOVACS Home-appen.

• Robotstøvsugere i robot-serien er designet for rengjørings-scenarier i hjemmet. Et Wi-Fi-hjemmenettverk er nødvendig for drift, og anti-DDoS-beskyttelse kan konfigureres av brukere gjennom ruterinnstillinger.

Krav til Wi-Fi-nettverk:

- Du bruker et 2,4 GHz- eller 2,4/5 GHz-blandet nettverk.
- Ruterens din støtter 802.11b/g/n og IPv4-protokollen.
- Ikke bruk en VPN (Virtual Private Network) eller proxy-server.
- Ikke bruk et skjult nettverk.
- WPA og WPA2 bruker TKIP-, PSK-, AES/CCMP-kryptering.
- WEP EAP (Enterprise Authentication Protocol) støttes ikke.
- Bruk Wi-Fi-kanalene 1–11 i Nord-Amerika og 1–13 utenfor Nord-Amerika (se lokale tilsynsmyndigheter).
- Hvis du bruker en nettverksutvider/repeater, er nettverksnavnet (SSID) og passordet det samme som ditt primære nettverk.
- Aktiver WPA2 på ruterens.


Indikatorlys for Wi-Fi

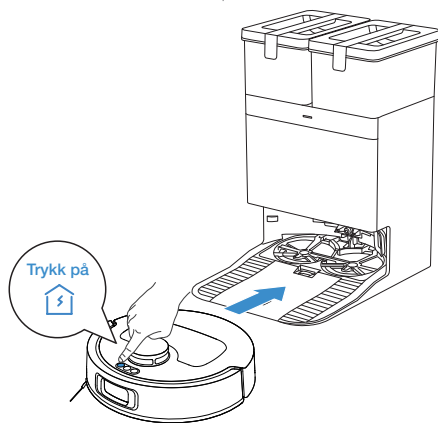
	Sakte blinkende hvitt lys	Koblet fra Wi-Fi
	Raskt blinkende hvitt lys	Tilkobler
	Konstant hvitt lys	Koblet til Wi-Fi

Vær oppmerksom på at intelligente funksjoner som fjernoppstart, stemmeinteraksjon, 2D/3D kartvisning og kontrollinnstillinger, og personlig rengjøring (avhengig av enheten) krever ECOVACS HOME-appen, som oppdateres kontinuerlig. Du må godta personvernerklæringen og brukervilkårene slik at vi kan behandle noe av den essensielle og nødvendige informasjonen din før du kan bruke visse funksjoner i ECOVACS HOME-appen til å kontrollere enheten. Hvis du er uenig i personvernerklæringen og brukervilkårene, vil slike funksjoner være utilgjengelige. Du kan imidlertid fortsatt bruke de grunnleggende funksjonene til dette apparatet for manuell betjening.

6 Slå på og lade roboten

Bruk ECOVACS HOME-appen for å hente frem roboten, eller trykk og hold inne

 på roboten for å la roboten dokke for lading.

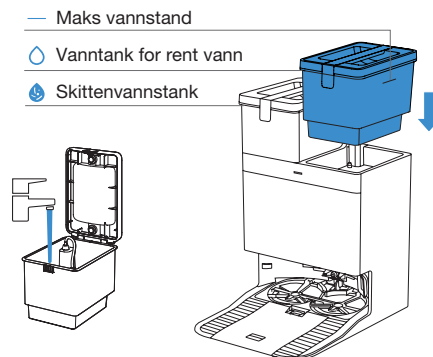


Merk:

- Når roboten ikke er i bruk, holder du den slått på og i laderen.
- Det anbefales at roboten begynner å rengjøre fra stasjonen. Ikke flytt stasjonen under rengjøring.

7 Fyllerentvannstanken

Ta ut den rentvannstanken, åpne tankdekelet, og fyll tanken med vann opp til maksimalt vannnivå. Lukk tankdekelet og installer rentvannstanken på nytt.

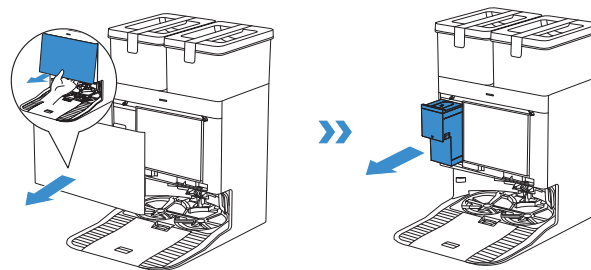


Merk:

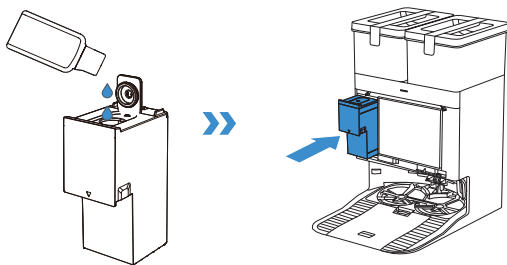
- Bruk en ren, tørr klut til å tørke av eventuell vann på overflaten av tanken før du setter den i posisjonen.
- Sørg for å låse toppdekslene på begge vanntankene godt før bruk.
- Eventuelle vannmerker i vanntankene er fra funksjonstesting. Bruk den med selvtillit.

8 Legg til rengjøringsmiddel (selges separat)

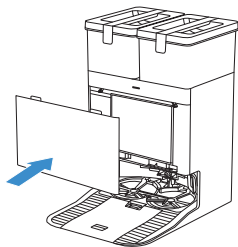
1. Ta av dekelet til støvoppsamlingsbeholderen, trekk ut rengjøringsmiddel og plasser den på en jevn, hard overflate.



2. Løsne enheten for rengjøringsmiddelet og fyll den med ECOVACS rengjøringsmiddel (selges separat). Sett på lokket og plasser enheten tilbake til stasjonen.



3. Plasser tilpasningsleddene i den øvre kanten av dekselet til støvoppsamlingsbeholdere og trykk på den nedre delen av det for å installere det riktig.



Merk:

- Rengjøringsmiddel pumpes automatisk fra enheten for rengjøringsmiddel. Ikke tilsett rengjøringsmiddel i vanntankene.
- For bedre ytelse og lengre levetid for produktet, bruker du ECOVACS DEEBOT rengjøringsmiddel (selges separat).
- Pass på at ingen fremmedlegemer faller inn i rengjøringsløsningseenheten.

9 Betjen roboten

1. Start kartlegging

Når du oppretter et kart for første gang, må du følge roboten for å hjelpe med å løse mindre problemer.


Roboten kan for eksempel sette seg fast under møblene. Referer til følgende løsninger:

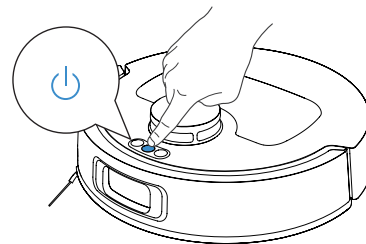
- ① Hev de lave sittemøblene hvis mulig.
- ② Dekk bunnen av møblene.
- ③ Sett opp en virtuell grense via appen.

2. Start rengjøring

- Robotens vanntank fylles automatisk på nytt gjennom stasjonen. Manuell påfylling er ikke nødvendig.
- Ved mopping vil roboten gjenkjenne gulvtyper og er i stand til å løfte mopper automatisk når den møter tepper. Ikke bruk roboten på tepper med fryns eller tepper med fibre lengre enn 9 mm. Det anbefales å brette opp de frynsete teppene med fibre som er lengre enn 9 mm under rengjøringsprosessen, eller sette området for det frynsete teppet som en inngangsfri sone ved å angi virtuell grense i ECOVACS HOME-appen.

Sørg for at roboten er i stasjonen og er fulladet før rengjøring for første gang.


Trykk på  på roboten for å starte. Du kan også bruke ECOVACS HOME-appen for å starte.




Merk:

- Ikke fjern vaskbare moppeputer ofte.
- Ikke rip opp moppeplatene med en fille eller andre gjenstande.
- Bytt ut moppeputene i tide som bedt om i appen. Utforsk mer tilbehør i ECOVACS HOME-appen eller på <https://www.ecovacs.com>.


3. Pause

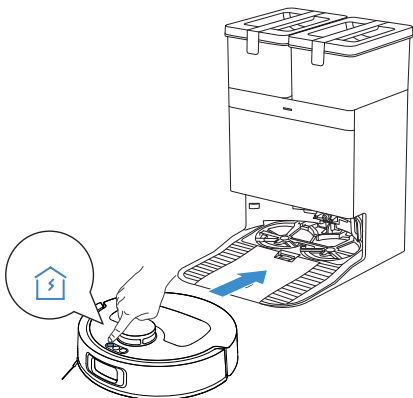
Trykk på  på roboten for å sette den på pause mens den jobber. Du kan også bruke ECOVACS HOME-appen for å sette roboten på pause.

4. Vekking

Etter en liten pause vil alle indikatorlampene på roboten slukke. For å vekke roboten, trykker du på .

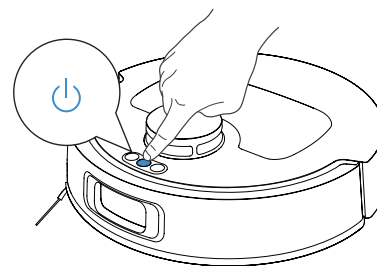
5. Tilbake til stasjonen

Bruk ECOVACS HOME-appen for å hente frem roboten, eller trykk og hold inne -knappen på roboten for å la roboten dokke for lading.



6. Dvalemodus

Roboten vil gå inn i dvalemodus hvis den forblir utenfor stasjonen i ca. 10 timer for å beskytte batteriet. Slå av og på for å vekke roboten.



TEKNISKE SPESIFIKASJONER

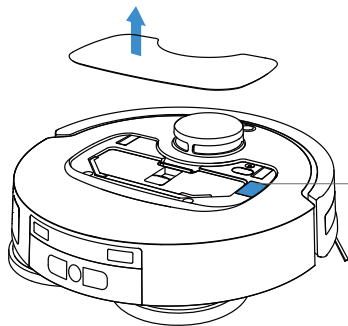
Modell	DLX71		
Nominell inngang	20V === 2A	Ladetid	ca 4,5 timer
Stasjonsmodell	CH2471		
Nominell inngang	220–240V ~ 50–60Hz	Nominell utgang	20V === 2A
Nominell inngangsstrøm (lading)	0,5A	Strøm (tømming)	650W
Strøm (vaskemopp med varmt vann)	1650W		
Frekvensbånd	2400–2483,5 MHz		
Nettverkstilkoblet standbystrom	Mindre enn 2,00W		

Utgangseffekten til den trådløse modulen er mindre enn 100mW.

Merk: Tekniske spesifikasjoner og designspesifikasjoner kan endres for kontinuerlig produktforbedring.

Utforsk mer tilbehør på <https://www.ecovacs.com>.

Basert på produktkrav (funksjonalitet og brukeropplevelse), bruker produktene våre en enhetsarkitektur som ikke har ultralav strøm, så det er ingen av-modus og ingen standby-modus. Etter at maskinen er fulladet, går den inn i nettverksstandby-modus innen 20 minutter. Nettverkstilkoblet standby-modus er strøm på 1.5 W.



Bruk mobilkameraet til å skanne QR-koden og få brukerveiledningen.

VIGTIGE SIKKERHEDSINSTRUKTIONER

VIGTIGE SIKKERHEDSINSTRUKTIONER

Når du bruger et elektrisk apparat, skal du altid følge de grundlæggende forholdsregler, herunder følgende:

LÆS ALLE INSTRUKTIONER, FØR DU BRUGER DETTE APPARAT GEM DENNE BRUGSANVISNING

1. Dette apparat må bruges af børn fra 8 år og opefter og af personer med nedsatte fysiske, sensoriske eller mentale evner eller manglende erfaring og viden, hvis de er under opsyn eller er blevet instrueret i at bruge apparatet på en sikker måde og forstår de farer, der er forbundne med brugen heraf. Børn må ikke lege med apparatet. Rengøring og brugervedligeholdelse må ikke foretages af børn uden opsyn.
2. Ryd det område, der skal rengøres. Fjern netledninger og små genstande fra gulvet, som kan vikle sig ind i apparatet.
3. Fold tæppefrynser under tæppebunden, og løft ting som gardiner og duge op fra gulvet.
4. Hvis der er et fald i rengøringsområdet på grund af et trin eller en trappe, skal du betjene apparatet på en sådan måde, at det med sikkerhed kan registrere trinnet uden at falde ud over kanten. Det kan blive nødvendigt at placere en fysisk barriere ved kanten for at forhindre enheden i at falde ned. Sørg for, at den fysiske barriere ikke udgør en snublefare.
5. Må kun bruges som beskrevet i denne brugsanvisning. Brug kun tilbehør, der anbefales eller sælges af producenten.
6. KUN til INDENDØRS husholdningsbrug. Brug ikke apparatet i udendørs, kommercielle eller industrielle miljøer.
7. Må ikke bruges uden støvbeholder og/eller filtre på plads.
8. Sluk for afbryderen, før du fjerner støvbeholderen.
9. Brug ikke apparatet i et område, hvor der er tændte stearinlys eller skrøbelige genstande.
10. Hold hår, løstsiddende tøj, fingre og alle dele af kroppen væk fra åbninger og bevægelige dele.
11. Brug ikke apparatet i et rum, hvor et spædbarn eller et barn sover.

12. Brug ikke apparatet på våde overflader eller overflader med stående vand.
13. Lad ikke apparatet opsamle store genstande som sten, store stykker papir eller andet, der kan tilstoppe apparatet.
14. Brug ikke apparatet til at opsamle brandfarlige eller brændbare materialer som f.eks. benzin, printer- eller kopitoner, og brug det ikke i områder, hvor de kan være til stede.
15. Brug ikke apparatet til at samle noget op, der brænder eller ryger, som f.eks. cigaretter, tændstikker, varm aske eller andet, der kan forårsage brand.
16. Kom ikke genstande ind i sugeindtaget. Må ikke bruges, hvis indsugningen er blokeret. Hold indsugningen fri for støv, fnug, hår eller andet, der kan reducere luftgennemstrømningen.
17. Hvis forsyningskablet er beskadiget, skal det udskiftes af producenten, dennes serviceagent for at undgå fare.
18. Sluk for afbryderen, før du rengør eller vedligeholder apparatet.
19. Den litiumbatteritype, der passer til CH2471, er maks. 8 celler, maks. nominel spænding DC 14,4 V, nominel kapacitet 4.800 mAh. Batteriet skal fjernes og kasseres i henhold til lokale love og regler, før apparatet bortskaffes.
20. Bortskaf brugte batterier i henhold til lokale love og regler.
21. Apparatet må ikke brændes, selv hvis det er alvorligt beskadiget. Batterierne kan eksplodere i en brand.
22. Apparatet skal bruges i overensstemmelse med anvisningerne i denne brugsanvisning. Ecovacs Home Service Robotics kan ikke holdes ansvarlig for skader, der er forårsaget af forkert brug.
23. Robotten indeholder batterier, som kun må udskiftes af fagpersoner. Kontakt kundeservice for at få udskiftet robotens batteri.
24. Sørg for, at spændingen i din strømforsyning stemmer overens med den spænding, der er angivet på OMNI-stationen.
25. Brug kun det originale genopladelige batteri og OMNI-stationen, der følger med apparatet fra producenten. Ikke-genopladelige batterier er forbudt.
26. Pas på ikke at beskadige netledningen. Træk

- ikke i eller bær apparatet eller OMNI-stationen i netledningen. Brug ikke netledningen som håndtag, luk ikke en dør med netledningen, og træk ikke netledningen rundt om skarpe kanter eller hjørner. Lad ikke apparatet køre hen over netledningen. Hold netledningen væk fra varme overflader.
27. Brug ikke OMNI-stationen, hvis den er beskadiget. Du må ikke selv reparere strømforsyningen, og den må ikke længere bruges, hvis den er beskadiget eller defekt.
 28. Brug ikke apparatet med en beskadiget netledning eller stikkontakt. Brug ikke apparatet eller OMNI-stationen, hvis det ikke fungerer korrekt, er blevet tabt, beskadiget, efterladt udendørs eller er kommet i kontakt med vand. Det skal repareres af producenten eller dennes serviceagent for at undgå fare.
 29. Stikket skal tages ud af stikkontakten før rengøring eller vedligeholdelse af OMNI-stationen.
 30. Fjern apparatet fra OMNI-stationen, og sluk for stikkontakten til apparatet, før du fjerner batteriet til bortskaffelse af apparatet.
 31. Når du ikke bruger OMNI-stationen i længere

tid, skal du trække stikket ud.

32. Hvis robotten ikke skal bruges i længere tid, skal du slukke for robotten til opbevaring og tage stikket til OMNI-stationen ud.
33. ADVARSEL - Fyld kun rent vand rentvandstanken.
34. **ADVARSEL:** Til opladning af batteriet må du kun bruge den aftagelige strømforsyningsenhed CH2471, der følger med apparatet.

For at opfylde kravene til RF-eksponering skal der holdes en afstand på 20 cm eller mere mellem denne enhed og personer under brug af enheden.

For at sikre overholdelse anbefales det ikke at arbejde tættere på end denne afstand. Den antenne, der bruges til denne sender, må ikke placeres sammen med nogen anden antenne eller sender.

Opdatering af enhed

Nogle enheder opdateres typisk hver anden måned, men det er ikke altid så specifikt.

Nogle enheder, især dem, der blev sat til salg for mere end tre år siden, vil kun blive opdateret, hvis der findes en kritisk sårbarhed, som er blevet rettet.

For at kontrollere den aktuelle softwareversion og aktivere automatiske opdateringer, gå til Indstillinger > Avancerede robotindstillinger > Om din robot > Opdatering i appen. Den aktuelle version vises der; tryk på Opdatering for at åbne siden og vælg Automatisk opdatering for at aktivere den.

	Forsigtig: varm overflade
	Kortslutningssikker sikkerhedstransformator
	Strømforsyning med afbryder
	Kun til indendørs brug
	Jævnstrøm
	Vekselstrøm
	Læs instruktionerne før opladning.
	Polaritet for opladningsporten
	Tidsforsinkende finsikring

Fjernovervågningen er til absolut privat brug af ikke-offentlige, privatejede steder til ren selvbeskyttelse og enkeltkontrol. Vær opmærksom på de lokale databeskyttelsesbaserede juridiske forpligtelser i tilfælde af brug. Ingen overvågning af offentlige steder, især ikke med hemmelige hensigter og/eller fra arbejdsgiverens side uden berettiget begrundelse. En sådan uberettiget brug sker udelukkende på brugerens eget ansvar og risiko.

EU-overensstemmelseserklæring

Oplysninger om bortskaffelse for brugere af affald af elektrisk og elektronisk udstyr



Dette symbol på produktet eller på dets emballage angiver, at brugte elektriske og elektroniske produkter ikke må blandes med usorteret kommunalt affald. For at sikre en korrekt behandling er det dit ansvar at bortskaffe dit affaldsudstyr ved at sørge for, at det afleveres på de udpegede indsamlingssteder. Hvis du bortskaffer dette produkt korrekt, vil du hjælpe med at spare værdifulde ressourcer og forhindre potentielle negative virkninger på menneskers sundhed og miljøet, som ellers kunne opstå som følge af u hensigtsmæssig affaldshåndtering. Hvis du vil returnere din brugte enhed, skal du bruge returnerings- og indsamlingssystemerne eller kontakte den forhandler, hvor produktet blev købt, hvilket er gratis. Kontakt din lokale myndighed for yderligere oplysninger om dit nærmeste udpegede indsamlingssted. Der kan pålægges bøder for ukorrekt bortskaffelse af dette affald i overensstemmelse med den nationale lovgivning.

Oplysninger om bortskaffelse for brugere af brugte batterier



Dette symbol betyder, at batterier og akkumulatører, når de er udtjente, ikke må blandes med usorteret husholdningsaffald. Din deltagelse er en vigtig del af indsatsen for at minimere batterier og akkumulatørers indvirkning på miljøet og menneskers sundhed. For korrekt genbrug kan du returnere dette produkt eller de batterier eller akkumulatører, som det indeholder, til din leverandør eller til et udpeget indsamlingssted, hvilket er gratis. Hvis du bortskaffer dette produkt korrekt, vil du hjælpe med at spare værdifulde ressourcer og forhindre potentielle negative virkninger på menneskers sundhed og miljøet, som ellers kunne opstå som følge af u hensigtsmæssig affaldshåndtering.

Der kan pålægges bøder for ukorrekt bortskaffelse af dette affald i overensstemmelse med den nationale lovgivning.

Der findes særskilte indsamlingssystemer for brugte batterier og akkumulatører.

Bortskaf batterier og akkumulatører korrekt på dit lokale affaldsindsamlings-/genbrugscenter.

Direktivet om begrænsning af anvendelsen af visse farlige stoffer (RoHS)

Ecovacs Home Service Robotics Co., Ltd. erklærer hermed, at hele produktet, herunder dele (kabler, ledninger, osv.), opfylder kravene i RoHS-direktivet 2011/65/EU og ændring af Kommissionens delegerede direktiv (EU) 2015/863 om begrænsning af anvendelsen af visse farlige stoffer i elektrisk og elektronisk udstyr ("RoHS omarbejdning" eller "RoHS 2.0").

Direktiv om radioudstyr

Ecovacs Home Service Robotics Co., Ltd. erklærer hermed, at det produkt, der er anført i dette afsnit, opfylder de væsentlige krav og andre relevante bestemmelser i Direktivet om radioudstyr 2014/53/EU.

Europæisk autoriseret repræsentant:



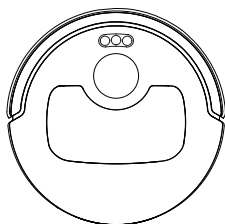
ECOVACS Europe GmbH
Holzstrasse 2 | D-40221 Düsseldorf | Tyskland

Ecovacs Home Service Robotics Co., Ltd. erklærer hermed, at produktet opfylder de væsentlige krav og andre relevante bestemmelser i RoHS-direktivet 2011/65/EU og ændring af Kommissionens delegerede direktiv (EU) 2015/863, Direktivet om radioudstyr 2014/53/EU.

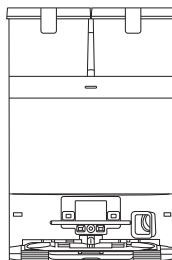
Overensstemmelseserklæringen kan ses på følgende adresse: <https://www.ecovacs.com/global/compliance>.

PAKKENS KOMPONENTER

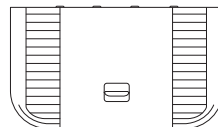
1 PAKKENS INDHOLD



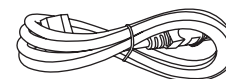
Robot



OMNI-station



Base



Strømledning



Sidebørste



Brugsanvisning

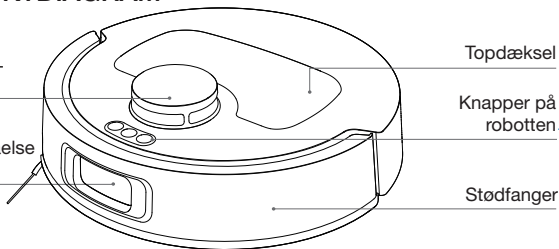
* Tallene i denne brugsanvisning er kun til reference og kan afvige fra apparatet. Produktdesign og specifikationer kan ændres uden varsel.

2 PRODUKTDIAGRAM

Robot

Navigationssmodul

Modul til undgåelse af forhindringer



Knapper



Tryk på: vend tilbage til stationen (Robot ikke i stationen)

Tryk og hold nede: Selvrensende



Tryk på: Skift Start/Pause/Fortsæt

Tryk og hold nede: Tænd/Sluk



Tryk på: Start/afslut plet rengøring

Tryk og hold nede: Aktiver/deaktiver børnesikringen

Inde i robotten (under topdækslet)

RESET-knap

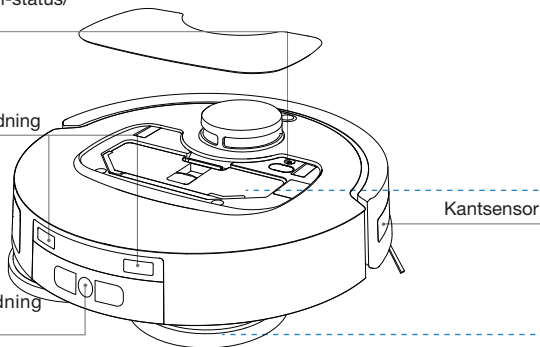
Opsætning af netværk: Tryk på RESET-knappen, og du vil høre en stemme, der beder dig om at forbinde robotten med appen.

Gendan standardindstillinger: Tryk på RESET-knappen og hold den nede i 5 sek. Når du har hørt stemmemeddelelsen, afspilles opstartsmusikken, og robotten gendannes til standardindstillingerne.

Indikator for Wi-Fi-status/
RESET-knap

Kontakter til opladning

Åbning til påfyldning af vand



Bunden set bag fra

Faldsensorer

Sensor til registrering af tæpper

rullebørste

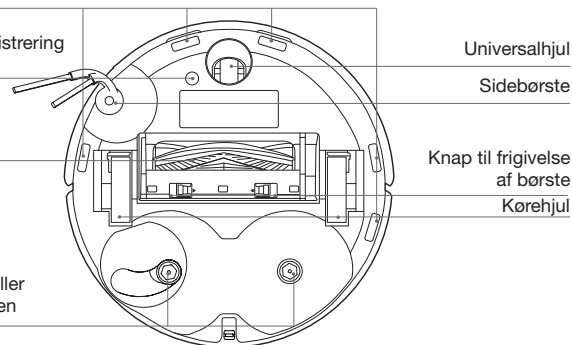
Monteringshuller til moppepuden

Universalhjul

Sidebørste

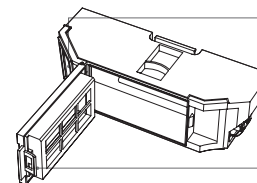
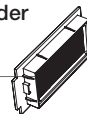
Knap til frigivelse af børste

Kørehjul



Støvbeholder

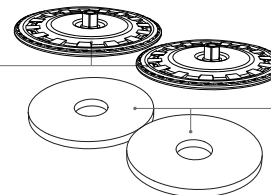
Filter



Udløserknap

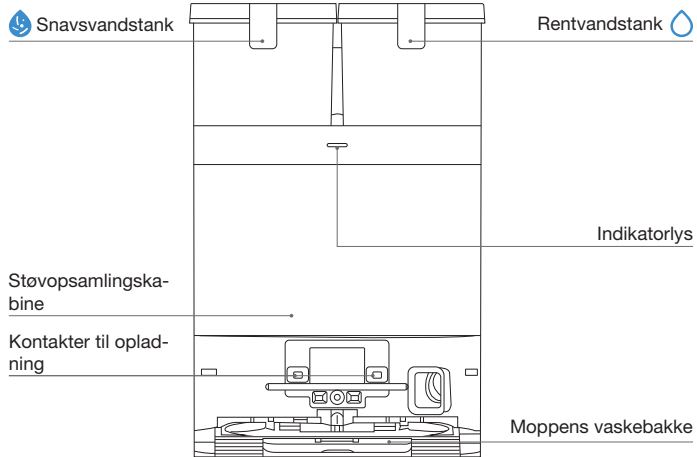
Moppepudesamling

Moppepudeplader



Vaskbare moppepuder

OMNI-station

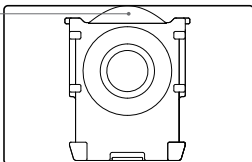


Bemærk:

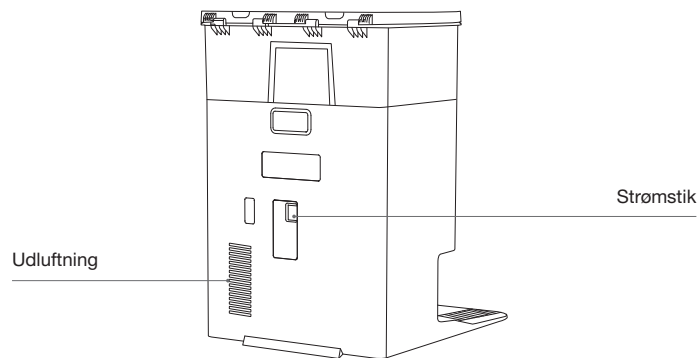
- Blinker rødt: Tjek venligst ECOVACS HOME-appen for at finde årsagen.
- Hvis robotten ikke kan oplades, skal du tørre opladningskontakterne af med en ren og tør klud.

Støvpose

Håndtag til støvpose



OMNI-station (bagside)



3 Indikatorlys

	Lyseffekt	Status
Robot	Åndedræt Hvid	Oplader
	Ensfarvet hvid	Fuldt Opladet/Kører
	Hvidt lys blinker 1 gang	Tænd/sluk-knap udløst, opgave starter/pause/fortsætter
	Ensfarvet rødt	Lavt Batteri
	Blinker rødt:	Alarm
Station	Ensfarvet hvid	Standby/kørsel
	Blinker rødt:	Fejlfunktion
	Slukket	Strømafbrydelse/dyb dvaletilstand

4 Oversigt over sensorer

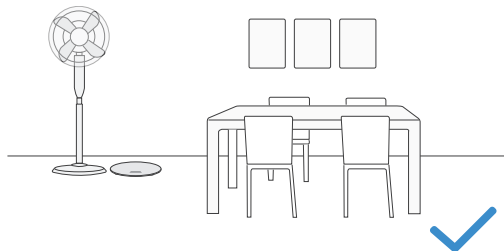
Navn	Funktionsbeskrivelse
Navigationsmodul	Der anvendes laserafstandsmåling til at måle afstanden mellem robotten og de omkringliggende objekter baseret på tidsforskellen i refleksionen, hvilket gør det muligt for modulet at kortlægge de omkringliggende objekter, mens robotten bevæger sig. Måleområdet er 8 m.
Modul til undgåelse af forhindringer	Laserafstandsmåling og triangulering bruges til at måle afstanden mellem robotten og omgivende forhindringer. Sensoren udsender laserstråler og modtager det reflekterede lys fra forhindringer foran. Når en forhindring registreres inden for kort afstand, drejer robotten automatisk for at undgå den. Måleområdet er 0,3 m.
Faldsensorer	Med infrarød afstandsmåling registreres afstanden mellem bunden af robotten og gulvet af de infrarøde sensorer i bunden. Robotten bevæger sig ikke fremad, når der er trapper foran (f.eks. når højden på en hvid overflade er 55 mm eller mere, eller højden på en sort overflade er 30 mm eller mere), og den identificerede højde overskrider den forudindstillede, hvilket udløser faldsikringen.
Sensor til registrering af tæpper	Sensoren udsender 300 kHz ultralyd, og denne energi absorberes af tæppet, så ekkoen energi bliver lavere end tærsklen. På den måde registrerer robotten tæppets tilstedeværelse. På ECOVACS-laboratoriet identificeres der mere end 50 typer tæpper, der findes på markedet.
Anti-kollisionssensor	Ved hjælp af en optokoblerkontakt vil robotten undgå forhindringer, når de er ved at kollideres.
Kantsensor	Med infrarød afstandsmåling registrerer kantsensoren afstanden mellem robotten og objekter på siden. Når der er en væg eller forhindringer til højre, udfører robotten kantrensning for at undgå at overse steder og forhindre kollisioner.

FØRSTE OPSÆTNING OG BRUG

1 Før rengøring

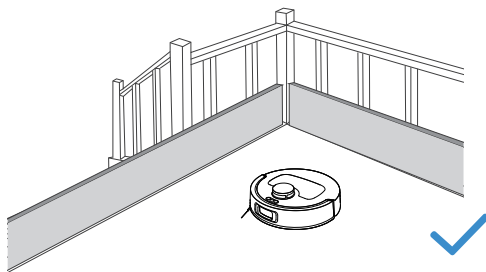
Ryd op på det område, der skal rengøres

For at få det størst mulige rengøringsområde skal du sætte møbler som borde, stole og ventilatorer på plads og fjerne lavtliggende genstande som vægte, før du bruger DEEBOT.



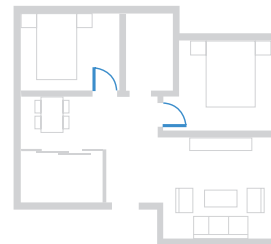
Forhindre DEEBOT i at falde

Placér en fysisk barriere ved kanten af et fald, f.eks. trapper og trin, for at forhindre robotten i at falde ud over kanten.



Åbn døre og hjælp DEEBOT med at udforske.

Åbn alle rumdøre for at hjælpe robotten med at udforske dit hjem fuldt ud under den første brug.



Fjern genstande, herunder kabler, tøj og hjemmesko, fra gulvet for at forbedre rengøringseffektiviteten.



Før du bruger produktet på et tæppe med kvastkanter, skal du folde kvasterne ind under tæppet.



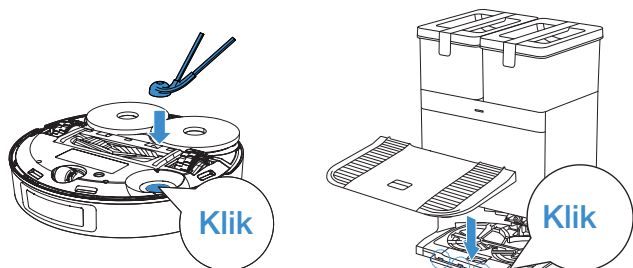
Stå venligst ikke på smalle steder, såsom gange, for at undgå at blokere for TrueMapping.

2 Hurtig start

Fjern alle beskyttelsesmaterialer, før du bruger apparatet.

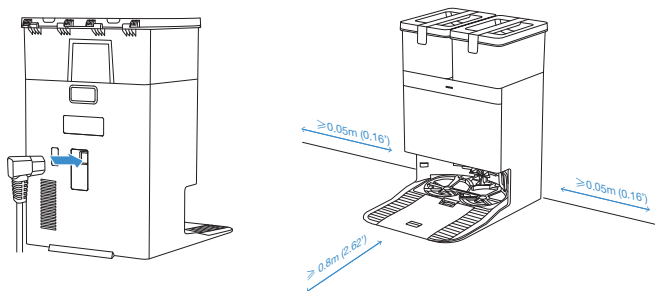
1. Montering

En kliklyd indikerer korrekt installation.



2. Saml og placér stationen

Placér OMNI-stationen op ad væggen på en flad, hård overflade. Placér ikke genstande inden for 0,05 meter på hver side og 0,8 meter foran.

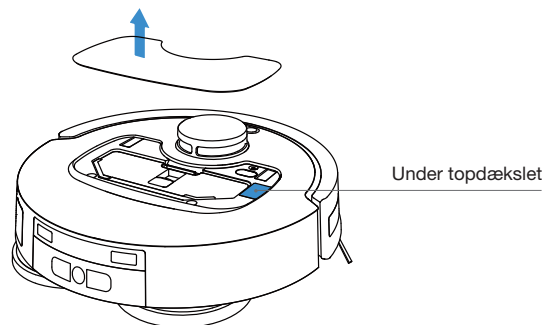


- Hvis der er reflekterende genstande som spejle og reflekterende fodpaneler i nærheden af stationen, skal de nederste 14 cm af sådanne genstande dækkes til.
- Placér stationen i direkte sollys.
- Placér stationen et sted med et stærkt Wi-Fi-signal for at få en bedre brugeroplevelse.
- Brug ikke apparatet på våde overflader eller overflader med stående vand.
- Robotten og stationen må ikke tørres af med en fugtig klud eller med væske.

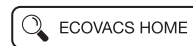
3 Download ECOVACS HOME-appen

For at få glæde af alle tilgængelige funktioner anbefales det, at du styrer din robotten via ECOVACS HOME-appen.

1. Scan QR-koden under topdækslet for at downloade appen.



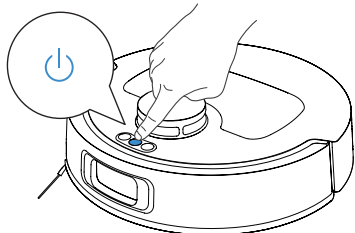
2. Søg efter "ECOVACS HOME" i App Store eller Google Play for at downloade appen.



Bemærk: Følg instruktionerne i appen for at fuldføre registrering, login og forbindelse.

4 Tænd for robotten

1. Tænd og placér robotten foran den station, der er tilsluttet strømforsyningen.



5 FORBIND ROBOTTEN MED APPEN

Navn	Beskrivelse
Infrarød grænseflade	Infrarødgrænsefladen er som standard deaktiveret og aktiveres, når robotten er i ladestationen. Når DEEBOT er i ladestationen, kommunikerer den med ladestationen via den infrarøde grænseflade.
Wi-Fi*	Gør det lettere at overføre data mellem appen og robotten, så robotten kan styres via appen.
ECOVACS HOME-app	ECOVACS-produkter tilbyder smarte funktioner som netværksopsætning, kortlægning og valg af rengøringstilstand (specifikt for hvert produkt). For at bruge disse funktioner skal brugerne downloade og bruge den officielle ECOVACS HOME App.

• Deebot-seriens robotstøvsugere er designet til rengøringsopgaver i hjemmet. Det er nødvendigt med et Wi-Fi-hjemmenetværk, og anti-DDOS-beskyttelse kan konfigureres af brugerne via ruteindstillinger.

Krav til Wi-Fi-netværk:


- Du bruger et 2,4 GHz eller 2,4/5 GHz blandet netværk.
- Din router understøtter 802.11b/g/n og IPv4-protokollen.
- Brug ikke en VPN (Virtual Private Network) eller en proxyserver.
- Brug ikke et skjult netværk.
- WPA og WPA2 med TKIP-, PSK-, AES/CCMP-kryptering.
- WEP EAP (Enterprise Authentication Protocol) understøttes ikke.
- Brug Wi-Fi-kanalerne 1-11 i Nordamerika og 1-13 uden for Nordamerika (se de lokale myndigheder).
- Hvis du bruger en netværksforlænger/repeater, er netværksnavnet (SSID) og adgangskoden den samme som på dit primære netværk.
- Aktivér WPA2 på din router.

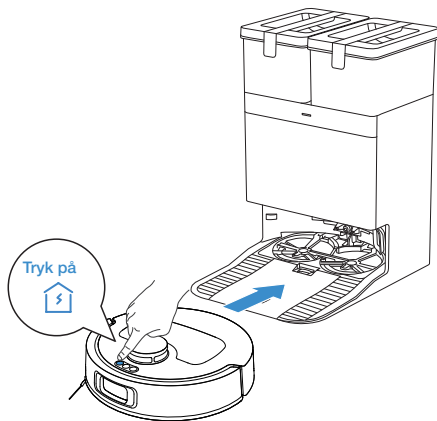
Wi-Fi-indikatorlys

	Langsomt blinkende hvidt lys	Afbrudt forbindelse til Wi-Fi
	Hurtigt blinkende hvidt lys	Opretter forbindelse
	Konstant hvidt lys	Forbundet til Wi-Fi

Vær opmærksom på, at intelligente funktioner som fjernstart, stemmeinteraktion, 2D/3D-kortvisning og kontrolindstillinger samt personlig rengøring (afhængigt af apparatet) kræver ECOVACS HOME-appen, som opdateres løbende. Du skal acceptere vores privatlivspolitik og bruger aftale, så vi kan behandle nogle af dine vigtige og nødvendige oplysninger, før du kan bruge visse funktioner i ECOVACS HOME-appen til at styre apparatet. Hvis du er uenig i vores privatlivspolitik og bruger aftale, vil sådanne funktioner ikke være tilgængelige. Du kan dog stadig bruge de grundlæggende funktioner i dette apparat til manuel betjening.

6 Tænd og oplad DEEBOT

Brug ECOVACS HOME-appen til at kalde robotten tilbage, eller tryk på  knappen på robotten for at lade den dokke til opladning.

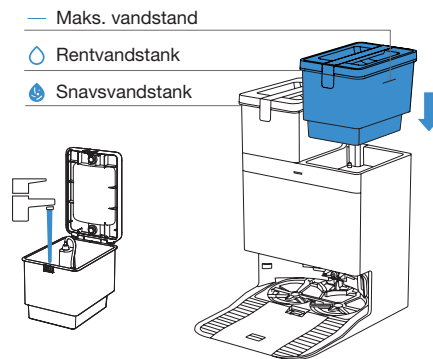


Bemærk:

- Når robotten ikke er i brug, skal den være tændt og under opladning.
- Det anbefales at starte rengøringen fra stationen. Flyt ikke stationen under rengøringen.

7 Fyld rentvandstanken

Tag den rentvandstanken ud, fjern tankdækslet, og fyld tanken med vand op til den anbefalede vandstand. Luk tankdækslet og geninstaller rentvandstanken.

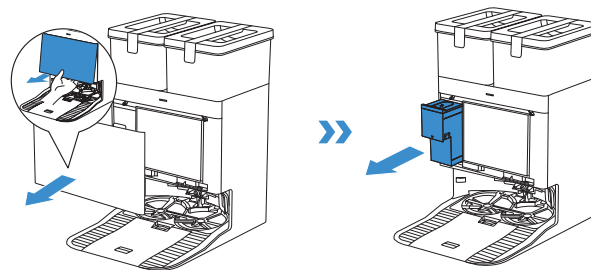


Bemærk:

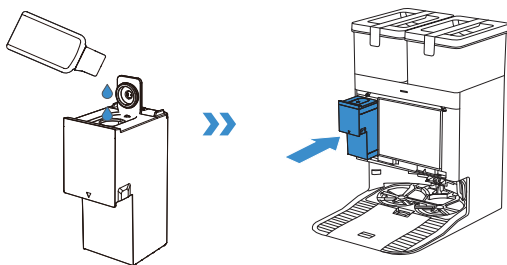
- Brug en ren, tør klud til at tørre vand af tankens overflade, før du sætter den på plads.
- Sørg for at låse topdækslerne på begge vandtanke godt fast før brug.
- Eventuelle vandmærker i vandtankene er fra funktionstest. Brug den med sikkerhed.

8 Tilsæt rengøringsopløsning (sælges separat)

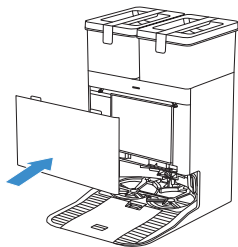
1. Tag dækslet til støvopsamling af, træk rengøringsopløsningsenheden ud, og placér den på en plan, hård overflade.



2. Tag låget af rengøringsopløsningsenheden, og fyld den med ECOVACS rengøringsopløsning (sælges separat). Sæt låget på, og sæt enheden tilbage på stationen.



3. Placér pasfladerne på den øverste kant af støvsopsamlings dæksel, og tryk på den nederste del af det for at installere det korrekt.



Bemærk:

- Rengøringsopløsningen pumpes automatisk fra rengøringsopløsningsenheden. Tilsæt ikke rengøringsopløsning til vandtankene.
- Brug ECOVACS DEEBOT rengøringsopløsning (sælges separat) for at opnå bedre ydeevne og længere levetid for produktet.
- Sørg for, at der ikke falder fremmedlegemer ned i rengøringsopløsningsenheden.

9 Betjen robotten

1. Start kortlægning


Når du opretter et kort for første gang, skal du følge robotten for at hjælpe med at løse nogle mindre problemer.

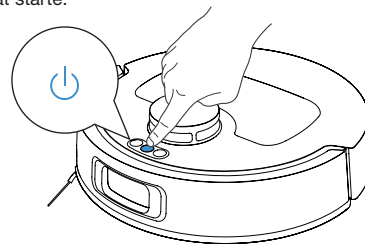
Robotten kan f.eks. sidde fast under møblerne. Se venligst følgende løsninger:

- ① Hæv lave siddemøbler, hvis det er muligt;
- ② Dæk bunden af møblet til;
- ③ Opsæt virtuelle barrierer via appen.

2. Start rengøringen

- Robottens vandtank genopfyldes automatisk via stationen. Manuel genopfyldning er ikke nødvendig.
- Når robotten mopper, genkender den gulvtyper og er i stand til at løfte mopperne automatisk, når den støder på tæpper. Brug ikke robotten på lurvede tæpper eller tæpper med fibre, der er længere end 9 mm. Det anbefales at folde luvtæpper med fibre, der er længere end 9 mm, sammen under rengøringsprocessen, eller indstille det luvtæppede område som en adgang forbudt-zone ved at indstille en virtuel grænse i ECOVACS HOME-appen.


Sørg for, at robotten er i stationen og er fuldt opladet, før du rengør med den første gang. Tryk på  på robotten for at starte. Du kan også bruge ECOVACS HOME-appen til at starte.



Bemærk:

- Fjern ikke ofte de vaskbare moppepuder.
- Pas på ikke at ride moppepudernes plader med en klud eller andre genstande.
- Udskift moppepuderne i tide som anvist af appen. Se mere tilbehør på ECOVACS HOME-appen eller på <https://www.ecovacs.com>.


3. Paus

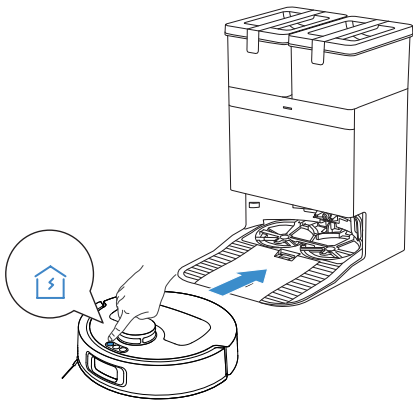
Tryk på  på robotten for at sætte den på pause under arbejdet. Du kan også bruge ECOVACS HOME-appen til at sætte robotten på pause.

4. Sådan vækkes robotten

Efter et stykke tid slukkes alle indikatorlamper på robotten. For at vække robotten skal du trykke på .

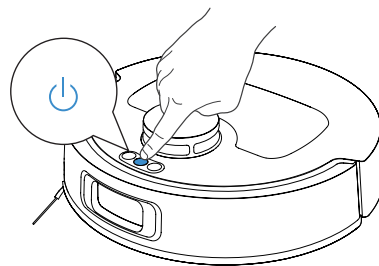
5. Tilbage til stationen

Brug ECOVACS HOME-appen til at kalde robotten tilbage, eller tryk på  knappen på robotten for at lade den dokke til opladning.



6. Dyb dvaletilstand

Robotten går i dyb dyb søvn tilstand, hvis den opholder sig uden for stationen i ca. 10 timer for at beskytte batteriet. Sluk og tænd for at vække robotten.



TEKNISKE SPECIFIKATIONER

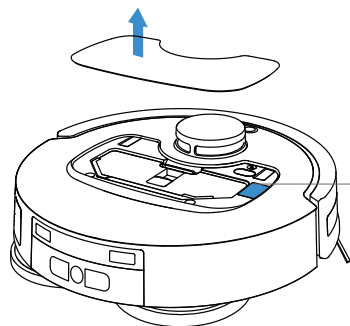
Model	DLX71		
Nominel indgang	20V === 2A	Opladningstid	omkring 4,5 timer
Stationsmodel	CH2471		
Nominel indgang	220-240V ~ 50-60Hz	Nominel udgang	20V === 2A
Nominel indgangsstrøm (opladning)	0,5A	Effekt (tømning)	650 W
Effekt (moppevask med varmt vand)	1650 W		
Frekvensbånd	2400-2483,5 MHz		
Netværksforbundet standby-strøm	Mindre end 2,00 W		

Det trådløse moduls udgangseffekt er mindre end 100 mW.

Bemærk: Tekniske og designmæssige specifikationer kan ændres med henblik på løbende produktforbedringer.

Udforsk mere tilbehør på <https://www.ecovacs.com>.

Baseret på produktkrav (funktionalitet og brugeroplevelse) bruger vores produkter en ikke-ultra-lav strøm apparatarkitektur, så der er ingen slukketilstand og ingen standbytilstand. Når maskinen er fuldt opladet, går den i netværksstandbytilstand inden for 20 minutter. Netværksforbundet standbytilstands effekt er 1.5 W.



Brug mobilkameraet til at scanne QR-koden og få fat i brugsanvisningen.

TÄRKEITÄ TURVALLISUUSOHJEITA

TÄRKEITÄ TURVALLISUUSOHJEITA

Sähkölaitetta käytettäessä on aina noudatettava perusvarotoimia, mukaan lukien seuraavat:

LUE KAIKKI OHJEET ENNEN TÄMÄN LAITTEEN KÄYTTÖÄ SÄILYÄ NÄMÄ OHJEET

1. Tätä laitetta voivat käyttää vähintään 8-vuotiaat lapset ja henkilöt, joilla on alentuneet fyysiset, sensoriset tai henkiset kyvyt tai joilla ei ole kokemusta ja tietoa, jos heitä on valvottu tai opastettu laitteen turvallisesta käytöstä ja he ymmärtävät vaarat. mukana. Lapset eivät saa leikkiä laitteella. Lapset eivät saa suorittaa puhdistusta ja käyttäjän huoltamista ilman valvontaa.
2. Tyhjennä puhdistettava alue. Irrota lattialta virtajohdot ja pienet esineet, jotka voivat sotkeutua laitteeseen.
3. Työnnä maton hapsut maton pohjan alle ja nosta esineet, kuten verhot ja pöytäliinat, lattiasta.
4. Jos siivousalueella putoaa askelman tai portaiden takia, käytä laitetta varmistaaksesi, että se havaitsee askelman putoamatta reunan yli. Saattaa olla tarpeen asettaa fyysinen este reunaan, jotta laite ei putoa. Varmista, että fyysinen este ei aiheuta kompastumisvaaraa.
5. Käytä vain tässä ohjekirjassa kuvatulla tavalla. Käytä vain valmistajan suosittelemia tai myymiä lisälaitteita.
6. VAIN talouskäyttöön SISÄTILOISSA. Älä käytä laitetta ulkona, kaupallisissa tai teollisuusympäristöissä.
7. Älä käytä ilman pölysäiliötä ja/tai suodattimia.
8. Sammuta virtakytkin ennen pölysäiliön poistamista.
9. Älä käytä laitetta paikassa, jossa on palavia kynttilöitä tai herkkiä esineitä.
10. Pidä hiukset, löysät vaatteet, sormet ja kaikki kehon osat poissa aukoista ja liikkuvista osista.
11. Älä käytä laitetta huoneessa, jossa vauva tai lapsi nukkuu.
12. Älä käytä laitetta märillä pinnoilla tai pinnoilla, joilla on seisovaa vettä.
13. Älä anna laitteen poimia suuria esineitä, kuten

- kiviä, suuria paperinpaloja tai muita esineitä, jotka voivat tukkia laitteen.
14. Älä käytä laitetta syttyvien tai palavien materiaalien, kuten bensiinin, tulostimen tai kopiokoneen väriaineen, poimimiseen tai käytä niitä paikoissa, joissa niitä saattaa olla.
 15. Älä käytä laitetta palavan tai savuavan esineen poimimiseen, kuten savukkeita, tulitikkuja, kuumaa tuhkaa tai mitään, mikä voi aiheuttaa tulipalon.
 16. Älä laita esineitä imuaukkoon. Älä käytä, jos imuaukko on tukossa. Pidä imuaukko puhtaana pölystä, nukasta, hiuksista tai kaikesta, mikä voi heikentää ilmavirtausta.
 17. Jos virtajohto on vaurioitunut, sen on vaaran välttämiseksi vaihdettava valmistajan, sen huoltoedustajan tai vastaavalla tavalla pätevän henkilön toimesta.
 18. Kytke virta pois päältä ennen laitteen puhdistamista tai huoltamista.
 19. CH2471:lle sopiva litiumakkutyyppe on Max. 8 kennoa, max. nimellisjännite DC 14,4 V, nimelliskapasiteetti 4 800 mAh. Akku on poistettava ja hävitettävä paikallisten lakien ja määräysten mukaisesti ennen laitteen hävittämistä.
 20. Hävitä käytetyt paristot paikallisten lakien ja määräysten mukaisesti.
 21. Älä polta laitetta, vaikka se olisi vakavasti vaurioitunut. Akut voivat räjähtää tulipalossa.
 22. Laitetta tulee käyttää tämän käyttöohjeen ohjeiden mukaisesti. Ecovacs Home Service Robotics ei ole vastuussa mistään vahingoista tai vammoista, jotka ovat aiheutuneet väärästä käytöstä.
 23. Robotti sisältää paristoja, jotka vain ammattitaitoiset henkilöt voivat vaihtaa. Jos haluat vaihtaa robotin akun, ota yhteyttä asiakaspalveluun.
 24. Varmista, että virtalähteen jännite vastaa OMNI Station -asemaan merkittyä virtajännitettä.
 25. Käytä vain alkuperäistä ladattavaa akkua ja valmistajan laitteen mukana toimitettua OMNI Station -asemaa. Ei-ladattavat akut ovat kiellettyjä.
 26. Varo vahingoittamasta virtajohtoa. Älä vedä tai kanna laitetta tai OMNI Station -asemaa virtajohdosta, käytä virtajohtoa kahvana, sulje virtajohdon luukkua tai vedä virtajohtoa

- terävien reunojen tai kulmien ympäri. Älä käytä laitetta virtajohdon yli. Pidä virtajohto poissa kuumista pinnoista.
27. Älä käytä OMNI Station -asemaa, jos se on vaurioitunut. Virtalähdettä ei saa korjata eikä sitä saa enää käyttää, jos se on vaurioitunut tai viallinen.
28. Älä käytä vaurioituneen virtajohdon tai pistorasian kanssa. Älä käytä laitetta tai OMNI Station -asemaa, jos se ei toimi kunnolla, se on pudonnut, vaurioitunut, jätetty ulos tai joutunut kosketuksiin veden kanssa. Valmistajan tai sen huoltoedustajan on korjattava se vaaran välttämiseksi.
29. Pistoke on irrotettava pistorasiasta ennen OMNI Station -aseman puhdistamista tai huoltamista.
30. Irrota laite OMNI Station -asemasta ja kytke laitteen virta pois päältä ennen akun poistamista laitteen hävittämistä varten.
31. Kun et käytä OMNI Station -asemaa pitkään aikaan, irrota se pistorasiasta.
32. Jos robottia ei käytetä pitkään aikaan, sammuta robotti säilytystä varten ja irrota OMNI Station -asema.

33. VAROITUS - Lisää puhdasta vettä vain puhtaan veden säiliöön.

34. **VAROITUS:** Käytä akun lataamiseen vain tämän laitteen mukana toimitettua irrotettavaa syöttöyksikköä CH2471.

RF-altistusvaatimusten täyttämiseksi tämän laitteen ja ihmisten välillä tulee säilyttää vähintään 20 cm:n etäisyys laitteen käytön aikana.

Vaatimustenmukaisuuden varmistamiseksi toimintoja tätä lähempänä ei suositella. Tässä lähettimessä käytettyä antennia ei saa sijoittaa samaan paikkaan minkään muun antennin tai lähettimen kanssa.

Laitteen päivitys

Tyypillisesti jotkut laitteet päivitetään kahdesti kuukaudessa, mutta eivät aina niin tarkasti. Jotkut laitteet, erityisesti ne, jotka tulivat myyntiin yli kolme vuotta sitten, päivitetään vain, jos kriittinen haavoittuvuus löydetään ja korjataan. Tarkista nykyinen ohjelmistoversio ja ota automaattiset päivitykset käyttöön siirtymällä sovelluksessa kohtaan Asetukset > Robotin lisäasetukset > Tietoja robotistasi > Päivitys. Nykyinen versio näytetään siellä; napauta Päivitys, jotta pääset sivulle, ja valitse Automaattinen päivitys ottaaksesi sen käyttöön.

	Varoitus: kuuma pinta
	Oikosulkusuojattu turvaeristysmuuntaja
	Vaihda virtalähteen tila
	Vain sisäkäyttöön
	Tasavirta
	Vaihtovirta
	Lue ohjeet ennen lataamista.
	Latausportin napaisuus
	Aikaviive miniatyyri sulakelinkki

Etävalvonta on tarkoitettu ei-julkisten, yksityisomistuksessa olevien paikkojen ehdottomaan yksityiskäyttöön puhtaasti itsesuojelua ja yksittäistä valvontaa varten. Ota huomioon paikalliset tietosuojaan perustuvat lakisääteiset velvoitteet käytön yhteydessä. Ei julkisten paikkojen valvontaa, etenkin salaisessa tarkoituksessa ja/tai työnantajan toimesta ilman perusteltua syytä. Tällainen epäoikeutettu käyttö on vain käyttäjän vastuulla ja vastuulla.

Euroopan unionin vaatimustenmukaisuusilmoitus

Tietoa sähkö- ja elektroniikkalaiteromun hävittämisestä käyttäjille



Tämä tuotteessa tai sen pakkauksessa oleva symboli osoittaa, että käytettyjä sähkö- ja elektroniikkatuotteita ei saa sekoittaa lajittelemattomaan yhdyskuntajätteeseen. Asianmukaista käsittelyä varten on sinun vastuullasi hävittää jätelaitteesi järjestämällä niiden palauttaminen nimettyihin keräyspisteisiin. Tämän tuotteen asianmukainen hävittäminen auttaa säästämään arvokkaita resursseja ja ehkäisemään mahdollisia kielteisiä vaikutuksia ihmisten terveyteen ja ympäristöön, jotka muuten voisivat aiheutua epäasianmukaisesta jätteenkäsittelystä. Voit palauttaa käytetyn laitteen käyttämällä palautus- ja keräysjärjestelmiä tai ottamalla yhteyttä jälleenmyyjään, jolta tuote on ostettu, mikä on maksutonta, ota yhteyttä paikallisviranomaisiin saadaksesi lisätietoja lähimmästä nimityksestä keräyspisteestä. Tämän jätteen virheellisestä hävittämisestä voidaan määrätä seuraamuksia kansallisen lainsäädännön mukaisesti.

Tietoa käytettyjen paristojen hävittämisestä käyttäjille



Tämä symboli tarkoittaa, että paristoja ja akkuja ei saa käyttökänsä lopussa sekoittaa lajittelemattomaan yhdyskuntajätteeseen. Osallistumisesi on tärkeä osa pyrkimystä minimoida paristojen ja akkujen vaikutukset ympäristöön ja ihmisten terveyteen. Asianmukaista kierrätystä varten voit palauttaa tämän tuotteen tai sen sisältämät paristot tai akut toimittajalle tai nimettyyn keräyspisteeseen, joka on maksuton. Tämän tuotteen asianmukainen hävittäminen auttaa säästämään arvokkaita resursseja ja ehkäisemään mahdollisia kielteisiä vaikutuksia ihmisten terveyteen ja ympäristöön, jotka muuten voisivat aiheutua epäasianmukaisesta jätteenkäsittelystä. Tämän jätteen virheellisestä hävittämisestä voidaan määrätä seuraamuksia kansallisen lainsäädännön mukaisesti. Käytetyille paristoille ja akuille on olemassa erilliset keräysjärjestelmät. Hävitä paristot ja akut asianmukaisesti paikallisessa yhdyskuntajätelaitoksen keräys-/kierrätyskeskuksessa.

Tiettyjen vaarallisten aineiden käytön rajoittamista koskeva direktiivi (RoHS-direktiivi).

Ecovacs Home Service Robotics Co., Ltd. vakuuttaa täten, että koko tuote, mukaan lukien osat (kaapelit, johdot jne.), täyttää tiettyjen vaarallisten aineiden käytön rajoittamisesta sähkö- ja elektroniikkalaitteissa annetun RoHS-direktiivin 2011/65/EU ja sen muutosten komission delegoidun direktiivin (EU) 2015/863 ("RoHS uudelleenlaadittu toisinto" tai "RoHS 2.0") vaatimukset.

Radiolaitedirektiivi

Ecovacs Home Service Robotics Co., Ltd. vakuuttaa täten, että tässä osiossa luetellut tuotteet täyttävät radiolaitedirektiivin 2014/53/EU olennaiset vaatimukset ja muut asiaankuuluvat säännökset.

Valtuutettu edustaja Euroopassa:

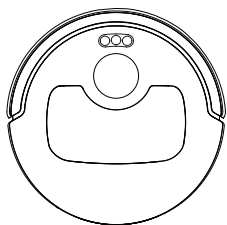


ECOVACS Europe GmbH
Holzstrasse 2 | D-40221 Düsseldorf | Saksa

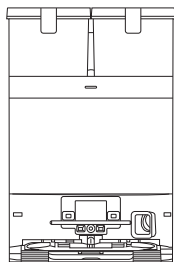
Ecovacs Home Service Robotics Co., Ltd. vakuuttaa täten, että tuote täyttää olennaiset vaatimukset ja muut RoHS-direktiivin 2011/65/EU ja sen muutoksen komission delegoidun direktiivin (EU) 2015/863, radiolaitedirektiivin 2014/53/EU olennaiset vaatimukset ja muut asiaa koskevat säännökset. Yhdistyneen kuningaskunnan valtuutettu edustaja: Vaatimustenmukaisuusvakuutus on nähtävillä seuraavassa osoitteessa: <https://www.ecovacs.com/global/compliance>.

PAKETIN OSAT

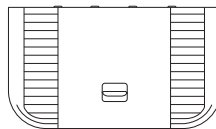
1 PAKKAUKSEN SISÄLTÖ



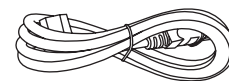
Robotti



OMNI Station -asema



Alusta



Virtajohto



Sivuharja



Käyttöopas

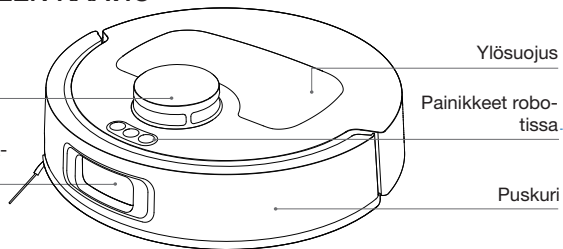
* Tämän oppaan kuvat ovat vain ohjeellisia ja saattavat poiketa siitä, mikä laite on kyseessä. Tuotteen suunnittelu ja tekniset tiedot voivat muuttua ilman erillistä ilmoitusta.

2 TUOTTEEN KAAVIO

Robotti

Navigointimoduuli

Esteiden väistämistila



Painikkeet

Paina: Palaa asemalle (Robotti ei ole asemalla)

Paina ja pidä painettuna: Itsepuhdistuva

Paina: Vaihda Käynnistä/Keskeytä/Jatka Paina ja pidä painettuna: Virta päälle/pois päältä

Paina: Aloita/loppu pisteen puhdistus Paina ja pidä painettuna: Aktivoi/Deaktivoi lapsilukko

Robotin sisällä (Pölysäiliön kannen alla)

RESET-painike

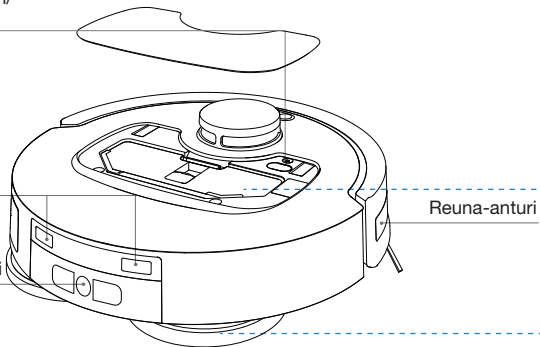
Verkkoasetukset: Paina RESET-painiketta, niin kuulet äänikehotteen yhdistää robotti sovellukseen.

Palauta oletusasetukset: Paina RESET-painiketta ja pidä sitä painettuna 5 sekuntia. Kun kuulet äänikehotteen, käynnistymusiikkia toistetaan ja robotti palautetaan oletusasetuksiin.

Wi-Fi-tilan ilmaisim/
RESET-painike

Latauskontaktit

Veden täyttöpörtti



Näkymä pohjan takaosasta

Pudotusta estävät anturit

Maton tunnistusanturi

Rullaharja

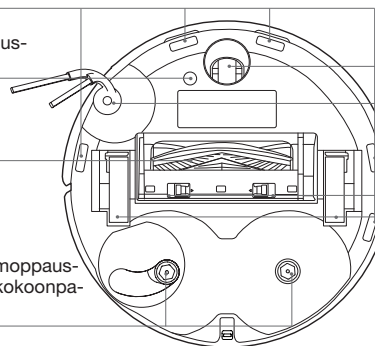
Kiinnitysraot moppauspehmusteen kokoonpanoa varten

Yleispyörä

Sivuharja

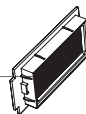
Harjan vapautuspainike

Ajopyörät

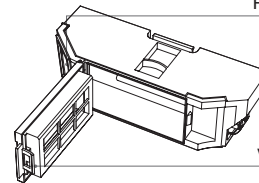


Pölysäiliö

Suodattaa



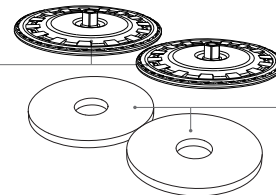
Pölynpoistopörtti



Vapautuspainike

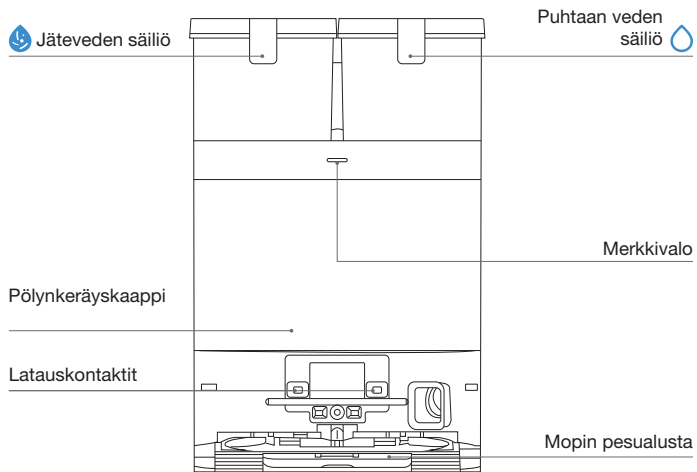
Moppaustyynyn kokoonpano

Pehmustelevyt



Pestävät moppauspehmusteet

OMNI Station -asema

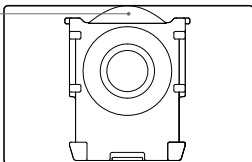


Huomaa:

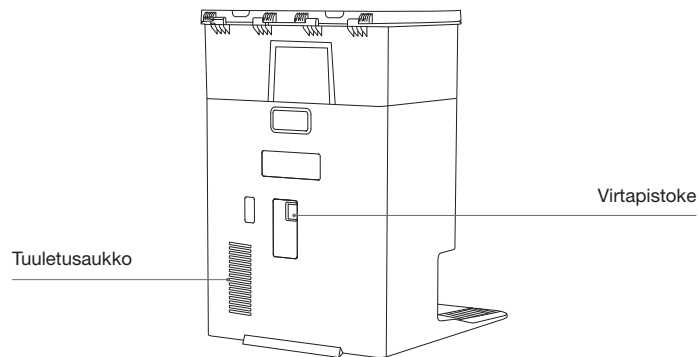
- Vilkkuva punainen: Tarkista syy ECOVACS HOME -sovelluksesta.
- Jos robotti ei lataudu, pyyhi latausliittimet puhtaalla ja kuivalla liinalla.

Pölypussi

Pölypussin kahva



OMNI Station (Näkymä takapuolelta)



3 Merkkivalo

	Valotehoste	Osavaltio
Robotti	Hengittävä valkoinen valo	Ladataan...
	Palaa valkoisena	Ladattu täyteen/Käynnissä
	Valkoinen valo välähtää 1 kerran	Virtapainike laukeaa, tehtävä alkaa/keskeytyy/jatkuu
	Palaa punaisena	Akku vähissä
	Vilkkuu punaisena	Hälytys
Asema	Palaa valkoisena	Valmiustila/Käytössä
	Vilkkuu punaisena	Toimintahäiriö
	Sammuu	Virtakatkos / syvä lepotila

4 Anturien yleiskatsaus

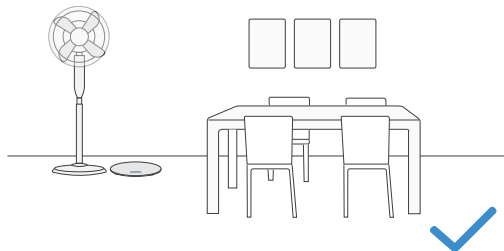
Nimi	Toiminnallinen kuvaus
Navigointimoduuli	Laseretäisyyttä käytetään mittaamaan robotin ja ympäröivien esineiden välistä etäisyyttä heijastuksen aikaeron perusteella, jolloin moduuli voi kartoittaa ympärillä olevia kohteita robotin liikkeessa. Havaintoalue on 8 m.
Esteiden väistämistila	Laseretäisyyttä ja kolmiomittausta käytetään robotin ja ympäröivien esteiden välisen etäisyyden mittaamiseen. Anturi lähettää lasersäteitä ja vastaanottaa edessä olevista esteistä heijastuneen valon. Kun robotti tunnistaa esteen läheltä, se kääntyy automaattisesti väistääkseen sen. Havaintoalue on 0,3 m.
Pudotusta estävät anturit	Infrapunamittauksen avulla robotin pohjan ja maan välinen etäisyys havaitaan pohjassa olevilla infrapuna-antureilla. Robotti ei liiku eteenpäin, kun edessä on alas laskevat portaat (kuten kun korkeus valkoiseen pintaan on 55 mm tai enemmän tai kun korkeus mustaan pintaan on 30 mm tai enemmän), ja tunnistettu kohde ylittää esiasetetun korkeuden, putoamisen estotoiminnontoteuttaminen.
Maton tunnistusanturi	Anturi lähettää 300 kHz ultraääntä, jonka energia imeytyy mattoon, jolloin kaikuenergia jää kynnyksarvoa pienemmäksi. Robotti tunnistaa siten maton läsnäolon. ECOVACS-laboratoriossa tunnistetaan yli 50 markkinoilla saatavilla olevaa mattotyyppiä.
Törmäyksenestotunnistin	Optocoupler Switch -periaatteella robotti välttää esteitä, kun ne ovat törmäyksessä.
Reuna-anturi	Infrapunaetäisyyden avulla reuna-anturi havaitsee robotin ja oikealla olevien kohteiden välisen etäisyyden. Kun oikealla on seinä tai esteitä, robotti suorittaa reunojen puhdistuksen välttääkseen pisteiden puuttumista ja estääkseen törmäyksiä.

ALKUASENNUS JA KÄYTTÖ

1 Huomautukset ennen puhdistusta

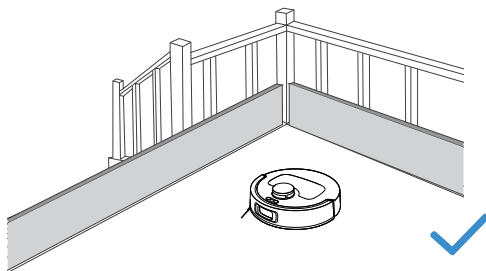
Siivoa siivottava alue

Ennen kuin otat robotin käyttöön ja varmistaaksesi mahdollisimman laajan siivousalueen, järjestä huonekalut sopivasti, kuten pöydät, tuolit ja jalustatuulettimet, oikeille paikoilleen ja aseta pois matalat esineet, kuten vaa'at, ennen robotin käyttöä.



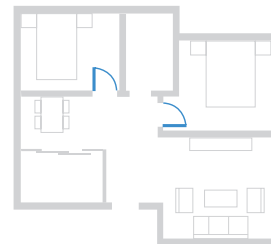
Estä robottia putoamasta

Aseta fyysinen este pudotuksen reunaan, kuten portaat ja portaat, jotta robotti ei putoa reunan yli.



Avaa ovet ja auta robottia tutkimaan

Avaa kaikki huoneen ovet auttaaksesi robottia tutustumaan taloosi täysin ensimmäisen puhdistustehtävän aikana.



Paranna siivouksen tehokkuutta poistamalla lattialta esineet, kuten kaapelit, vaatteet ja tossut.



Ennen kuin käytät tuotetta tupsureunaisella matolla tai matolla, taita tupsut maton alle.



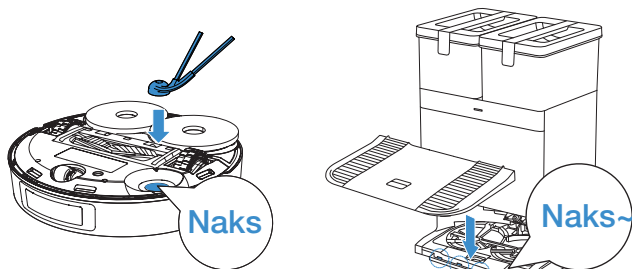
Älä seiso ahtaissa tiloissa, kuten käytävillä, jotta et estä TrueMapping-toimintoa.

2 Pika-aloitus

Poista kaikki suojamateriaalit ennen laitteen käyttöä.

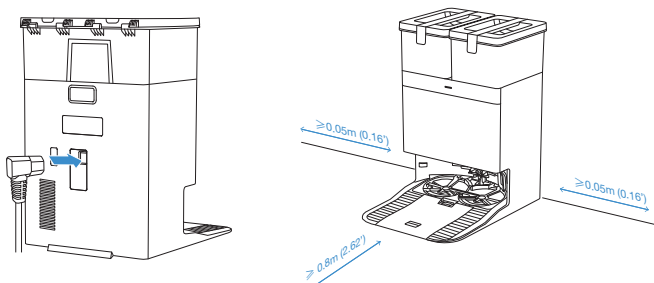
1. Asennus

Naks-ääni osoittaa, että asennus on tehty oikein.



2. Kokoa ja aseta asema

Aseta OMNI Station -asema seinää vasten tasaiselle, kovalle alustalle. Älä aseta esineitä 0,05 metrin säteelle kummallekin puolelle ja 0,8 metrin päähän eteen.

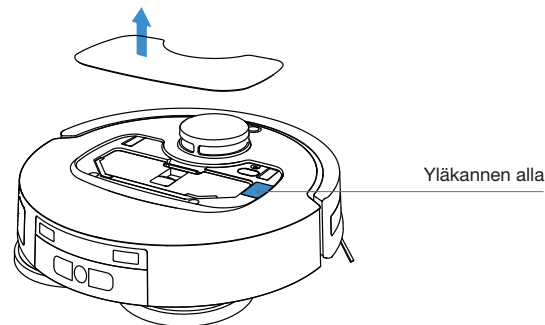


- Jos aseman lähellä on heijastavia esineitä, kuten peilejä ja heijastavia jalkalistoja, niiden alareunat 14 cm tulee peittää.
- Älä aseta asemaa suoraan auringonvaloon.
- Aseta asema paikkaan, jossa on vahva Wi-Fi-signaali paremman käyttökokemuksen saavuttamiseksi.
- Älä käytä laitetta märillä pinnoilla tai pinnoilla, joissa on seisovaa vettä.
- Älä pyyhi robottia ja asemaa kostealla liinalla tai käytä mitään nesteitä.

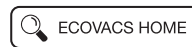
3 Lataa ECOVACS HOME -sovellus

Jotta voit nauttia kaikista saatavilla olevista ominaisuuksista, on suositeltavaa ohjata robottia ECOVACS HOME -sovelluksen kautta.

1. Lataa sovellus skannaamalla yläkannen alla oleva QR-koodi.



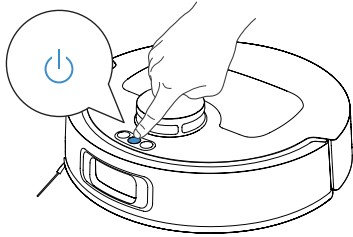
2. Hae hakuasanoilla ECOVACS HOME App Storesta tai Google Playsta ladattavaksi sovelluksen.



Huomaa: Suorita rekisteröinti, sisäänkirjautuminen ja yhteys loppuun noudattamalla sovelluksen ohjeita.

4 Robotin virran kytkeminen päälle

1. Kytke virtakytkin päälle ja aseta robotti virtalähteeseen kytketyn aseman eteen.



5 Yhdistä robotti sovellukseen

Nimi	Kuvaus
Infrapunarajapinta	Infrapunarajapinta on oletuksena pois käytöstä ja aktivoituu, kun robotti on latausasemassa. Kun DEEBOT on latausasemassa, se kommunikoi latausaseman kanssa infrapunarajapinnan kautta.
Wi-Fi*	Tämä helpottaa tiedonsiirtoa sovelluksen ja robotin välillä mahdollistaen robotin hallinnan sovelluksen kautta.
ECOVACS HOME -sovellus	ECOVACS-tuotteet tarjoavat älykkäitä toimintoja, kuten verkon määrittelyt, kartoituksen ja puhdistustilan valinnan (riippuen tuotteesta). Käyttäjien tulee ladata ja käyttää virallinen ECOVACS Home -sovellusta, jotta pääsevät käyttämään näitä ominaisuuksia.

• Robotti-imurit on suunniteltu kotisiivoukseen. Toimenpiteen suorittamiseen tarvitaan Wi-Fi-kotiverkkoyhteys, ja käyttäjät voivat asettaa kohdassa DDoS-suojauksen reitittimen asetukset.

Wi-Fi-verkko vaatimukset:


- Käytät 2,4 GHz tai 2,4/5 GHz sekaverkkoyhteyttä.
- Reitittimesi tukee 802.11b/g/n- ja IPv4-protokollaa.
- Älä käytä VPN:ää (Virtual Private Network) tai välityspalvelinta.
- Älä käytä piilotettua verkkoa.
- WPA ja WPA2 käyttävät TKIP-, PSK- ja AES/CCMP-salausta.
- WEP EAP (Enterprise Authentication Protocol) -protokollaa ei tueta.
- Käytä Wi-Fi-kanavia 1-11 Pohjois-Amerikassa ja 1-13 Pohjois-Amerikan ulkopuolella (katso paikallista sääntelyviranomaista).
- Jos käytät verkon laajennusta/toistinta, verkon nimi (SSID) ja salasana ovat samat kuin ensisijaisessa verkossasi.
- Ota WPA2 käyttöön reitittimessäsi.

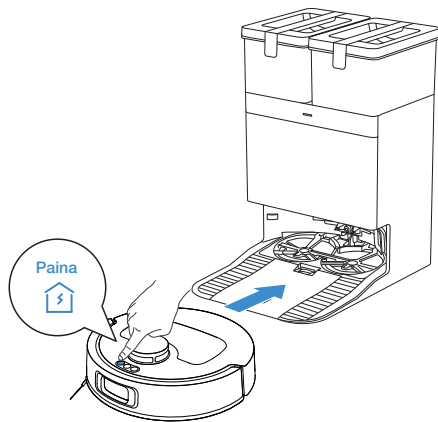
Wi-Fi-ilmaisimen merkivalo

	Hitaasti vilkkuva valkoinen valo	Wi-Fi-yhteys katkaistu
	Nopeasti vilkkuva valkoinen valo	Yhdistetään
	Tasainen valkoinen valo	Yhdistetty Wi-Fi-verkkoon

Huomaa, että älykkäät ominaisuudet, kuten etäkäynnistys, äänivuoro-vaikutus, 2D/3D-kartan näyttö- ja ohjausasetukset sekä henkilökohtainen puhdistus (laitteesta riippuen) edellyttävät ECOVACS HOME -sovellusta, jota päivitetään jatkuvasti. Sinun on hyväksyttävä julkaisumme Tietosuojakäytäntö ja Käyttö sopimus, ennen kuin voimme käsitellä joitain perustietojasi ja tarpeellisia tietojasi ja antaa sinulle mahdollisuuden käyttää tuotetta ECOVACS HOME -sovelluksen kautta. Jos olet eri mieltä julkaisujemme Tietosuojakäytäntö ja Käyttö sopimus kanssa, tällaiset ominaisuudet eivät ole käytettävissä. Voit kuitenkin käyttää tämän laitteen perusominaisuuksia manuaaliseen käyttöön.

6 Kytke virta päälle ja lataa robotti

Hae robotti ECOVACS HOME -sovelluksella tai pidä -painiketta painettuna robotissa, jotta se voi telakoida latausta varten.

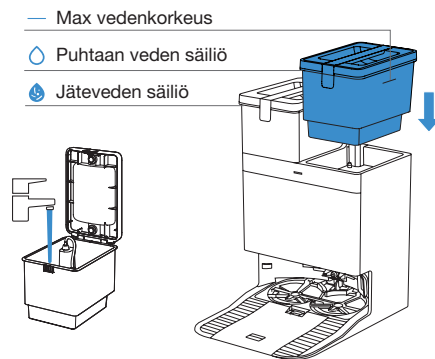


Huomaa:

- Kun robotti ei ole käytössä, on suositeltavaa pitää se päällä ja latauksessa.
- On suositeltavaa, että aloittaa puhdistuksen asemalta. Älä siirrä asemaa puhdistuksen aikana.

7 Täytä puhtaan veden säiliö

Irrota puhtaan veden säiliö, avaa säiliön kansi ja täytä säiliö vedellä veden maksimipintatasoon asti. Sulje säiliön kansi ja asenna puhtaan veden säiliö takaisin.

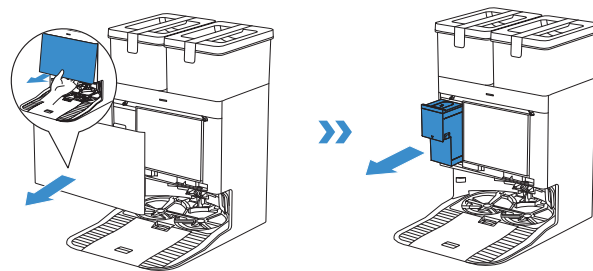


Huomaa:

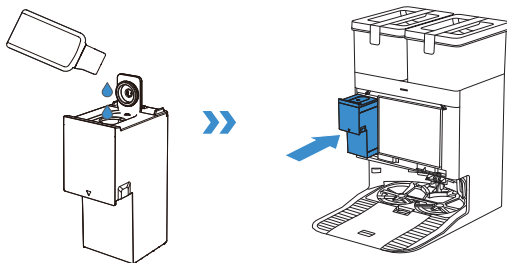
- Pyyhi vesi pois säiliön pinnalta puhtaalla, kuivalla liinalla ennen sen asettamista paikalleen.
- Varmista, että molempien vesisäiliöiden yläkannet tiukasti ennen käyttöä.
- Vesisäiliöissä olevat vesimerkit ovat toimintatestauksesta. Käytä sitä luottavaisin mielin.

8 Lisää puhdistusliuosta (myydään erikseen)

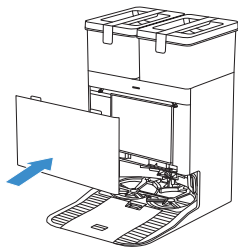
1. Irrota pölynkeräyskaapin kansi, vedä puhdistusliuosityksikkö ulos ja aseta se tasaiselle, kovalle alustalle.



2. Avaa puhdistusliuoksikö ja täytä se ECOVACS-puhdistusliuoksella (myydään erikseen). Laita kansi päälle ja laite takaisin asemalle.



3. Aseta sovitustiokset pölynkeräyskaapin kannen yläreunaan ja paina sen alaosa asentaaksesi sen oikein.



Huomaa:

- Puhdistusliuos pumpataan automaattisesti puhdistusliuoksiköstä. Älä lisää puhdistusliuosta vesisäiliöihin.
- Käytä ECOVACS DEEBOT -puhdistusliuosta (myydään erikseen) parantaaksesi suorituskykyä ja tuotteen käyttöikää.
- Varmista, ettei puhdistusaineyksikköön pääse vieraita esineitä.

9 Robotin käyttäminen

1. Aloita kartoitus


Kun luot karttaa ensimmäistä kertaa, seuraa robottia auttaaksesi ratkaisemaan joitain pieniä ongelmia.

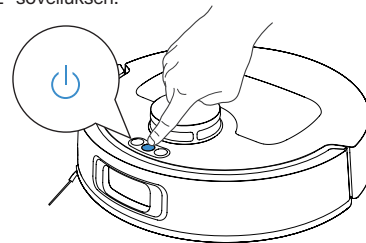
Robotti voi esimerkiksi juuttua huonekalujen alle. Katso seuraavat ratkaisut:

- ① Nosta matalilla istumahuonekaluilla, jos mahdollista;
- ② Peitä huonekalujen pohja;
- ③ Aseta virtuaalinen raja sovelluksen kautta.

2. Aloita puhdistus

- Robotin vesisäiliö täytetään automaattisesti aseman kautta. Manuaalista täyttöä ei tarvita.
- Moppauksen yhteydessä robotti tunnistaa lattiatyypit ja pystyy nostamaan moppeja automaattisesti kohdatessaan mattoja. Älä käytä robottia pörröisillä tai yli 9 mm:n kuiduilla. On suositeltavaa taittaa tupsuiset matot, joiden kuidut ovat pidempiä kuin 9 mm puhdistuksen aikana, tai asettaa takkuinen mattoalue kieltoalueeksi asettamalla virtuaalinen raja ECOVACS HOME -sovelluksessa.


Varmista, että robotti on asemassa ja ladattu täyteen ennen ensimmäistä puhdistusta. Napauta  robotissa käynnistymään. Voit käynnistää myös ECOVACS HOME -sovelluksen.




Huomaa:

- Älä poista pestäviä moppaustyynyjä usein.
- Älä naarmuta moppauspehmusteen levyjä rievulla tai muilla esineillä.
- Vaihda moppauspehmusteet ajoissa sovelluksen kehotuksesta. Tutustu muihin lisävarusteisiin ECOVACS HOME -sovelluksessa tai osoitteessa <https://www.ecovacs.com>.


3. Keskeytä

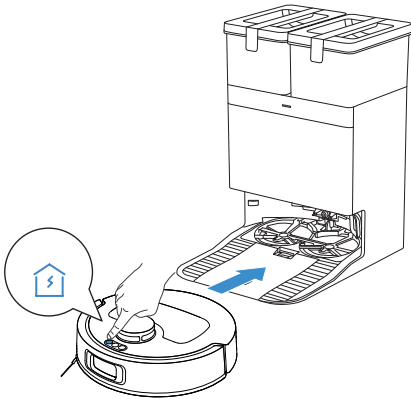
Napauta  robotissa keskeyttääksesi sen, kun se toimii. Voit myös pysäyttää robotin ECOVACS HOME -sovelluksella.

4. Herätä

Hetken tauon jälkeen kaikki robotin merkivalot sammuvat. Herättääksesi robotin paina -painiketta.

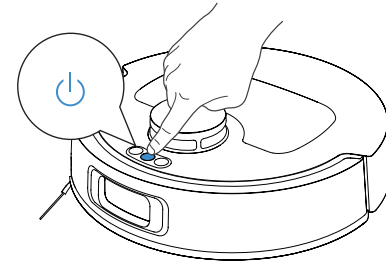
5. Paluu asemaan

Hae robotti ECOVACS HOME -sovelluksella tai pidä -painiketta painettuna robotissa jotta robotti voi telakoida latausta varten.



6. Syvä lepotila

Robotti siirtyy syvään lepotilaan, jos se pysyy aseman ulkopuolella noin 10 tuntia akun suojaamiseksi. Kytke kytkin POIS PÄÄLTÄ ja PÄÄLLE herättääksesi robotin.



TEKNISET TIEDOT

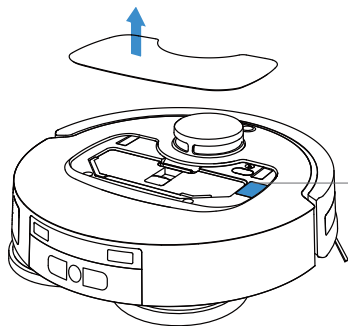
Malli	DLX71		
Rated Input	20 V === 2 A	Latausaika	noin 4,5
Aseman malli	CH2471		
Rated Input	220-240V ~ 50-60 Hz	Nimellisteho	20 V === 2 A
Nimellisyöttövirta (lataus)	0,5A	Teho (tyhjennys)	650 W
Teho (kuuman veden pesumoppi)	1 650 W		
Taajuuskaistat	2400-2483,5 MHz		
Verkotettu valmiustilavirta	Alle 2,00 W		

Langattoman moduulin lähtöteho on alle 100mW.

Huomaa: Teknisiä ja suunnittelutietoja voidaan muuttaa jatkuvan tuotteen parantamisen vuoksi.

Tutustu muihin lisävarusteisiin osoitteessa <https://www.ecovacs.com>.

Tuotevaatimusten (toiminnallisuus ja käyttökokemus) perusteella tuotteemme käyttävät ei-ultra-low-power-laitearkkitehtuuria. Tämän vuoksi niissä ei ole off-tilaa eikä valmiustilaa. Kun laite on ladattu täyteen, se siirtyy verkon valmiustilaan 20 minuutin kuluessa. Verkon valmiustilan teho on 1.5 W.



Käytä mobiilikameraa QR-koodin skannaamiseen ja käyttöoppaan hankkimiseen.

ÖNEMLİ GÜVENLİK TALİMATLARI

ÖNEMLİ GÜVENLİK TALİMATLARI

Elektrikli bir Cihaz kullanırken, aşağıdakiler de dahil olmak üzere temel önlemlere her zaman uyulmalıdır:

BU CİHAZI KULLANMADAN ÖNCE TÜM TALİMATLARI OKUYUN BU TALİMATLARI SAKLAYIN

1. Bu Cihaz, Cihazın güvenli bir şekilde kullanımı konusunda gözetim veya talimat verilmesi ve içerdiği tehlikelerin anlaşılması halinde 8 yaş ve üzeri çocuklar ve fiziksel, duyuşsal veya zihinsel yetenekleri azalmış veya deneyim ve bilgi eksikliği olan kişiler tarafından kullanılabilir. Çocuklar Cihaz ile oynamamalıdır. Temizlik ve kullanıcı bakımı gözetim altında olmaksızın çocuklar tarafından yapılmamalıdır.
2. Temizlenecek alanı boşaltın. Cihazın dolanabileceği elektrik kablolarını ve küçük nesnelere zeminden kaldırın.
3. Halı püsküllerini halının altına sıkıştırın ve perde, masa örtüsü gibi eşyaları yerden kaldırın.

4. Temizlik alanında basamak veya merdiven nedeniyle düşülebilecek bir yer olması durumunda, Cihazı kenardan düşmeden basamağı algılayabilmesi için çalıştırmalısınız. Ünitenin kenarlardan düşmesini önlemek üzere kenarlara fiziksel bariyerler yerleştirilmesi gerekebilir. Fiziksel bariyerin takılma tehlikesi yaratmadığından emin olun.
5. Yalnızca bu kılavuzda tarif edildiği şekilde kullanın. Yalnızca üretici tarafından önerilen veya satılan aparatları kullanın.
6. YALNIZCA EV İÇİ kullanım içindir. Cihazı dış mekanlarda, ticari veya endüstriyel ortamlarda kullanmayın.
7. Toz haznesi ve/veya filtreler takılı olmadan kullanmayın.
8. Toz Haznesini çıkarmadan önce Güç Anahtarını KAPALI konuma getirin.
9. Cihazı yanan mumların veya kırılabilir nesnelere bulunduğu bir alanda çalıştırmayın.
10. Saçınızı, yere sarkan giysilerinizi, parmaklarınızı ve vücudunuzun tüm kısımlarını açıklıklarından ve hareketli parçalarından uzak tutun.
11. Cihazı bir bebeğin veya çocuğun uyuduğu bir

- odada çalıştırmayın.
12. Cihazı ıslak yüzeylerde veya su birikintisi olan yüzeylerde kullanmayın.
 13. Cihazın taş, büyük kağıt parçaları veya Cihazı tıkayabilecek herhangi bir nesne gibi büyük nesnelere toplamasına izin vermeyin.
 14. Cihazı benzin, yazıcı veya fotokopi toneri gibi yanıcı veya parlayıcı maddeleri toplamak için veya bunların bulunabileceği alanlarda kullanmayın.
 15. Cihazı, sigara, kibrit, sıcak kül veya yangına neden olabilecek herhangi bir şey gibi yanan veya dumanı tüten herhangi bir şeyi toplamak için kullanmayın.
 16. Emiş ağızına herhangi bir cisim sokmayın. Emiş ağızı tıkalı ise Cihazı kullanmayın. Emiş ağızını toz, tüy, saç veya hava akışını azaltabilecek herhangi bir şeyden uzak tutun.
 17. Güç kablosu hasarlı ise tehlikeyi önlemek için üretici veya servis temsilcisi tarafından değiştirilmesi gerekir.
 18. Cihazı temizlemeden veya bakımını yapmadan önce güç anahtarını KAPALI konuma getirin.
 19. CH2471 için uygun lityum pil tipi Maksimum 8 hücre, maksimum nominal voltaj DC 14,4

- V, nominal kapasite 4.800 mAh'dir. Pil, Cihaz atılmadan önce yerel yasa ve yönetmeliklere uygun şekilde çıkarılmalı ve atılmalıdır.
20. Lütfen kullanılmış pilleri yerel yasa ve yönetmeliklere uygun şekilde bertaraf edin.
 21. Ciddi şekilde hasarlı olsa bile Cihazı yakmayın. Piller yangında patlayabilir.
 22. Cihaz, bu Kullanım Kılavuzunda yer alan talimatlara uygun şekilde kullanılmalıdır. Ecovacs Home Service Robotics, uygunsuz kullanımdan kaynaklanan herhangi bir hasar veya yaralanmadan sorumlu tutulamaz.
 23. Robot, yalnızca uzman kişiler tarafından değiştirilebilir piller içerir. Robotun pilini değiştirmek için lütfen Müşteri Hizmetleri ile irtibata geçin.
 24. Lütfen güç kaynağınızın voltajının OMNI İstasyonunda belirtilen güç voltajıyla uyumlu olduğundan emin olun.
 25. Yalnızca üretici tarafından Cihaz ile birlikte verilen orijinal şarj edilebilir pili ve OMNI İstasyonunu kullanın. Şarj edilemez pillerin kullanılması yasaktır.
 26. Güç kablosuna hasar vermemeye dikkat edin. Cihazı veya OMNI İstasyonunu güç

- kablosundan çekmeyin veya taşımayın, güç kablosunu tutamak olarak kullanmayın, güç kablosunun üzerine kapı kapatmayın veya güç kablosunu keskin kenarlardan veya köşelerden çekmeyin. Cihazı güç kablosunun üzerinden geçirmeyin. Güç kablosunu sıcak yüzeylerden uzak tutun.
27. OMNI İstasyonunu hasarlı ise kullanmayın. Güç kaynağı hasarlı veya arızalı ise tamir edilmemeli ve artık kullanılmamalıdır.
28. Cihazı hasarlı güç kablosu veya prizle kullanmayın. Cihazı veya OMNI İstasyonunu düzgün çalışmıyorsa, düşürülmüşse, hasarlıysa, açık havada bırakılmışsa veya suyla temas etmişse kullanmayın. Tehlikeyi önlemek için mutlaka üretici veya servis temsilcisi tarafından tamir edilmesi gerekmektedir.
29. OMNI İstasyonunun temizliği veya bakımı yapılmadan önce fişinin prizden çekilmesi gerekmektedir.
30. Cihazın bertaraf edilmesi için pilini çıkarmadan önce Cihazı OMNI İstasyonundan çıkarın ve cihazın güç anahtarını KAPALI konuma getirin.
31. OMNI İstasyonunu uzun süre

- kullanmayacağınız zaman lütfen fişini çekin.
32. Robot uzun süre kullanılmayacaksa, saklama için robotu KAPALI konuma getirin ve OMNI İstasyonunun fişini çekin.
33. UYARI-Temiz su deposuna sadece temiz su koyun.

34. UYARI: Pili şarj etmek amacıyla yalnızca Cihazla birlikte verilen çıkarılabilir besleme ünitesi CH2471'yi kullanın.

RF maruziyet gerekliliklerini karşılamak için, cihaz çalışırken cihaz ile kişiler arasında 20 cm veya daha fazla bir ayırım mesafesi korunmalıdır.

Uygunluğun sağlanması için bu mesafeden daha yakın mesafede çalıştırma yapılması önerilmemektedir. Bu verici için kullanılan anten, başka hiçbir anten veya vericiyle birlikte konumlandırılmamalıdır.

Cihaz Güncellemesi

Genellikle bazı cihazlar iki ayda bir güncellenir, ancak her zaman bu kadar spesifik olmayabilir.

Özellikle satışa sunulmasının üzerinden üç yıldan fazla zaman geçmiş olan bazı cihazlar, yalnızca kritik bir güvenlik açığı bulunup giderilirse güncellenecektir.

Mevcut yazılım sürümünü kontrol etmek ve otomatik güncellemeleri etkinleştirmek için uygulamada Ayarlar > Gelişmiş Robot Ayarları > Robot Hakkında > Güncelleme bölümüne gidin. Mevcut sürüm burada

görüntülenir; sayfaya girmek için Güncelle**ye dokunur ve Otomatik Güncelleme yi etkinleştirin.

	Dikkat: sıcak yüzey
	Kısa devreye dayanıklı güvenli yalıtım transformatörü
	Anahtarlama modlu güç kaynağı
	Sadece iç mekanda kullanım içindir
	Doğru akım
	Alternatif akım
	Şarj etmeden önce talimatları okuyun.
	Şarj etme portunun polaritesi
	Zaman gecikmeli minyatür sigorta bağlantısı

Uzaktan gözetleme, yalnızca salt kişisel koruma ve tek kontrol amacıyla kamuya açık olmayan, özel mülkiyete ait yerlerin mutlak özel kullanımına yöneliktir. Kullanım durumunda yerel veri koruma esaslı yasal yükümlülüklerin lütfen bilincinde olun. Kamuya açık yerlerde, özellikle gizlice ve/veya işveren tarafından haklı sebepler olmaksızın gözetim yapılamaz. Bu tür haksız kullanımların riski ve sorumluluğu yalnızca kullanıcıya aittir.

Avrupa Birliği Uygunluk Beyanı Atık Elektrikli ve Elektronik Ekipman Kullanıcıları İçin Bertaraf Bilgileri



Ürün veya ambalajı üzerindeki bu sembol, kullanılmış elektrikli ve elektronik ürünlerin ayrıştırılmamış belediye atıklarıyla karıştırılmaması gerektiğini belirtir. Uygun bir işlem için atık ekipmanlarınızı belirlenen toplama noktalarına geri götürerek bertaraf etmek sizin sorumluluğunuzdadır. Bu ürünün doğru şekilde bertaraf edilmesi değerli kaynakların korunmasına yardımcı olacak ve uygunsuz atık yönetimi nedeniyle insan sağlığı ve çevre üzerinde oluşabilecek olası olumsuz etkilerin önlenmesine yardımcı olacaktır.

Kullanılmış cihazınızı iade etmek için lütfen iade ve toplama sistemlerini kullanın veya ürünü satın aldığınız perakendeciyle ücretsiz bir şekilde iletişime geçin. En yakınınızdaki belirlenmiş toplama noktası hakkında daha fazla bilgi için lütfen yerel yetkililerinizle iletişime geçin.

Bu atıkların yanlış bertaraf edilmesi durumunda, ulusal mevzuatınıza göre cezalar uygulanabilir.

Kullanılmış pillerin Kullanıcıları için Bertaraf hakkında bilgiler



Bu sembol, kullanım ömürleri sona eren pil ve akümülatörlerin, ayrıştırılmamış belediye atıklarıyla karıştırılmaması gerektiği anlamına gelir. Katılımınız, pil ve akümülatörlerin çevre ve insan sağlığı üzerindeki etkilerini en aza indirme çabasının önemli bir parçasıdır. Uygun geri dönüşüm için bu ürünü veya içerdiği pilleri veya akümülatörleri tedarikçinize veya belirlenmiş bir toplama noktasına ücretsiz olarak iade edebilirsiniz.

Bu ürünün doğru şekilde bertaraf edilmesi değerli kaynakların korunmasına yardımcı olacak ve uygunsuz atık yönetimi nedeniyle insan sağlığı ve çevre üzerinde oluşabilecek olası olumsuz etkilerin önlenmesine yardımcı olacaktır.

Bu atıkların yanlış bertarafı durumunda ulusal mevzuatınıza göre cezalar uygulanabilir.

Atık pil ve akümülatörler için ayrı toplama sistemleri mevcuttur.

Lütfen pil ve akümülatörlerinizi yerel atık toplama/geri dönüşüm merkezlerinde doğru şekilde bertaraf edin.

Belirli tehlikeli maddelerin kullanımının kısıtlanması (RoHS) Direktifi

Ecovacs Home Service Robotics Co., Ltd., parçalar (kablolar, kordonlar vb.) dahil olmak üzere tüm ürünün RoHS Direktifi 2011/65/EU ve elektrikli ve elektronik ekipmanlarda belirli tehlikeli maddelerin kullanımının kısıtlanması hakkındaki Değişiklik Komisyonu Delege Direktifi (AB) 2015/863'ün gerekliliklerini karşıladığını beyan eder ("RoHS yeniden düzenlemesi" veya "RoHS 2.0").

Radyo Ekipmanı Direktifi

Ecovacs Home Service Robotics Co., Ltd. bu bölümde listelenen ürünün Radyo Ekipmanı Direktifi 2014/53/EU'nun temel gerekliliklerine ve diğer ilgili hükümlerine uygun olduğunu beyan eder.

Avrupa Yetkili Temsilcisi:

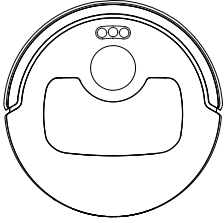


ECOVACS Europe GmbH
Holzstrasse 2 | D-40221 Düsseldorf | Almanya

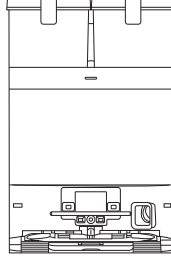
Ecovacs Home Service Robotics Co., Ltd., ürünün RoHS Direktifi 2011/65/EU ve Değişiklik Komisyonu Delege Direktifi (AB) 2015/863 ve Radyo Ekipmanı Direktifi 2014/53/EU'nun temel gerekliliklerine ve diğer ilgili hükümlerine uygun olduğunu beyan eder. Uygunluk beyanını aşağıdaki adresten görebilirsiniz: <https://www.ecovacs.com/global/compliance>.

PAKET BİLEŞENLERİ

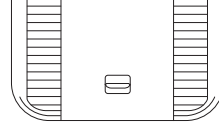
1 PAKET İÇERİĞİ



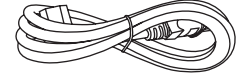
Robot



OMNI İstasyonu



Altık



Güç Kablosu



Yan Fırça



Kullanım Kılavuzu

* Bu kılavuzda yer alan şekiller yalnızca referans amaçlıdır ve cihazdan farklı olabilir. Ürünün tasarımı ve teknik özellikleri önceden haber verilmeksizin değiştirilebilir.

2 ÜRÜN ŞEMASI

Robot

Gezirme Modülü

Engellerden Kaçınma Modülü

Üst Kapak

Robot üzerindeki düğmeler:

Tampon

Düğmeler



Düğmesine basma: İstasyona Dönüş (Robot, istasyonda değil)

Basılı tutma: Kendi Kendini Temizleme



Düğmesine basma: Başlat/Duraklat/Devam Et Basılı tutma: Güç açma/Güç kapama



Düğmesine basma: Nokta Temizliğini Başlat/Bitir Basılı tutma: Çocuk kilidini etkinleştir/devre dışı bırak

Robotun İç Kısmı (Üst Kapağın Altı)

RESET Düğmesi

Ağ Kurulumu: RESET düğmesine bastığınızda robotu Uygulamaya bağlamak için bir sesli uyarı duyarsınız.

Varsayılan Ayarlara geri dönme: RESET düğmesine 5 saniye boyunca basılı tutun. Sesli mesaj duyulduktan sonra başlangıç müziği çalar ve robot varsayılan ayarlara geri döner.

Wi-Fi Durum Göstergesi

RESET Düğmesi

Şarj Bağlantıları

Kenar Sensörü

Su Doldurma Portu

Alt Arka Görünüm

Düşme Önleyici Sensörler

Hali Algılama Sensörü

Rulo Fırça

Paspas Padi Aksamının Montaj Yuvaları

Evrensel Teker

Yan Fırça

Fırça Ayırma Düğmesi

Sürüş Tekerleri

Toz Haznesi

Filtre

Toz Bertaraf Portu

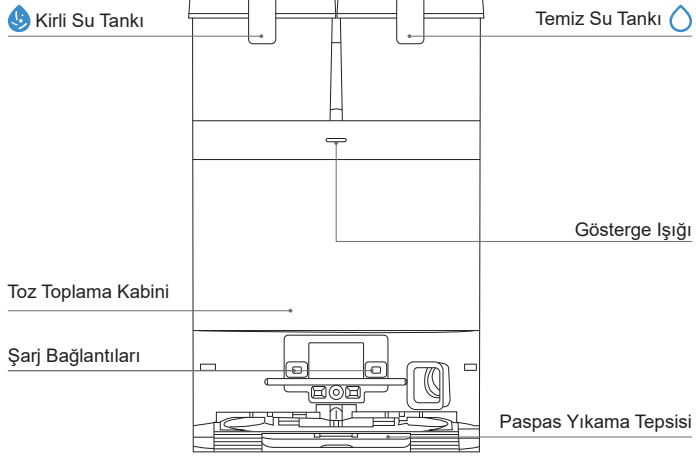
Ayırma Düğmesi

Paspas Padi Aksamı

Paspas Padi Plakaları

Yıkanebilir Paspas Pedleri

OMNI İstasyonu

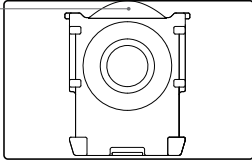


Not:

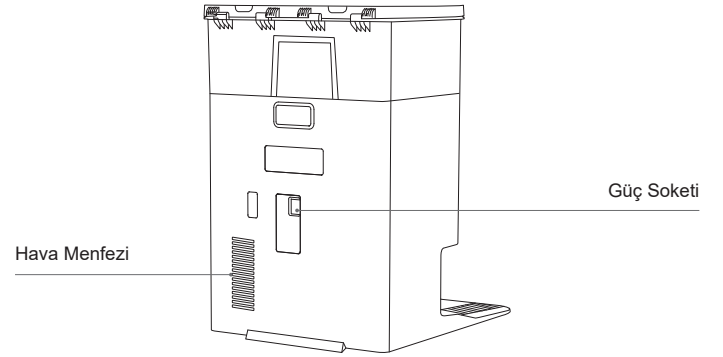
- Yanıp Sönen Kırmızı Işık: Nedenini öğrenmek için lütfen ECOVACS HOME Uygulaması'nı kontrol edin.
- Robot şarj olmazsa lütfen şarj bağlantılarını temiz ve kuru bir bezle silin.

Toz Torbası

Toz Torbası Sapı



OMNI İstasyonu (Arkadan Görünüm)



3 Gösterge Işıđı

	Işık Efektı	Durum
Robot	Yanıp Sönen Beyaz Işık	Şarj oluyor
	Kesintisiz Beyaz Işık	Tam Şarjlı/Çalışıyor
	1 Kez Yanıp Sönen Beyaz Işık	Güç Düğmesi Devrede, Görev Başlatılıyor/Duraklatılıyor/Devam Ediliyor
	Düz Kırmızı Işık	Düşük Pil
	Yanıp Sönen Kırmızı Işık	Alarm
İstasyon	Kesintisiz Beyaz Işık	Bekleme Modunda/Çalışıyor
	Yanıp Sönen Kırmızı Işık	Arıza
	Işık Yanmıyor	Güç Kesintisi/Derin Uyku Modu

4 Sensörlere Genel Bakış

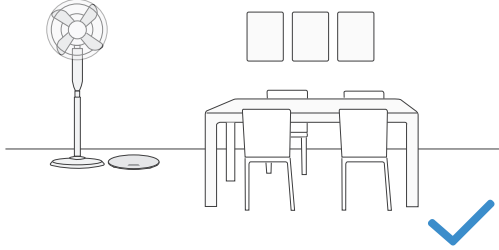
Adı	İşlev Açıklaması
Gezinme Modülü	Lazer Menzilleme, yansıma zaman farkına göre robot ile çevredeki nesnelere arasındaki mesafeyi ölçmek için uygulanır ve robot hareket halindeyken modülün çevresindeki nesnelere göre haritalandırılmasına olanak sağlar. Algılama menzili 6 m'dir.
Engellerden Kaçınma Modülü	Robot ile çevresindeki engeller arasındaki mesafeyi ölçmek için Lazer Menzilleme ve üçgenleme kullanılır. Sensör, lazer ışınları yayar ve önündeki engellerden yansıyan ışığı alır. Yakın mesafede bir engel tespit edildiğinde robot, otomatik olarak dönerek engelden kaçınır. Algılama menzili 0,3 metredir.
Düşme Önleyici Sensörler	Kızılötesi Menzilleme sayesinde robotun tabanıyla zemin arasındaki mesafe, tabanında bulunan kızılötesi sensörler sayesinde tespit edilir. Önünde merdivenler olduğunda (örneğin beyaz yüzeyin yüksekliği 55 mm veya daha fazla olduğunda ya da siyah yüzeyin yüksekliği 30 mm veya daha fazla olduğunda) ve belirlenen değer önceden ayarlanmış değeri aştığında robot, düşme önleyici işlevi etkinleştirir ve ileri doğru hareket etmez.
Halı Algılama Sensörü	Sensör 300 kHz'lik ultrason yayar ve bu ultrasonun enerjisi halı tarafından emilir, böylece yankılanan enerji eşik değerinden daha düşük olur. Robot bu sayede halının varlığını tespit eder. ECOVACS laboratuvarında piyasada bulunan 50'den fazla halı çeşidi tanımlanmaktadır.
Çarpışma Önleyici Sensör	Robot, Optocoupler Switch prensibi sayesinde çarpışma anında engellerden kaçınacaktır.
Kenar Sensörü	Kızılötesi Menzilleme sayesinde robot, kendisi ile yanındaki cisimler arasındaki mesafeyi algılayabilir. Sağ tarafta duvar veya engel olduğunda robot, temizlenmemiş herhangi bir noktanın kalmasını ve çarpışmaları önlemek için kenar temizliği yapar.

İLK KURULUM VE KULLANIM

1 Temizlik Öncesine İlişkin Notlar

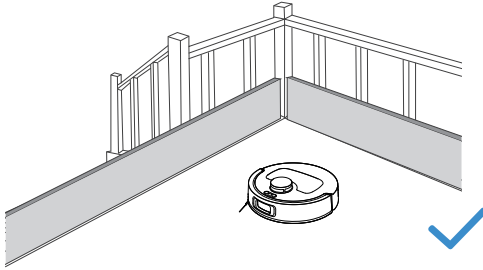
Temizlenecek Alanı Toplayın

Mümkün olan en geniş temizlik alanını elde etmek için robotu kullanmadan önce lütfen masa, sandalye ve ayaklı vantilatör gibi mobilyaları uygun yerlerine koyun ve tartı gibi alçakta duran eşyaları kaldırın.



Robotun Düşmesini Önleyin

Robotun kenardan düşmesini önlemek için merdiven ve basamak gibi düşme alanlarının ucuna fiziksel bir bariyer yerleştirin.



Kapıları Açın ve Robotun Keşfetmesini Sağlayın

İlk temizlikte robotun, evinizi tam anlamıyla keşfetmesini sağlamak için tüm oda kapılarını açın.



Temizlik verimliliğini artırmak için lütfen yerdeki kablo, bez, terlik ve benzeri nesnelere kaldırın.



Ürünü, kenarları püsküllü bir halı üzerinde kullanmadan önce halı kenarlarını alta doğru katlayın.



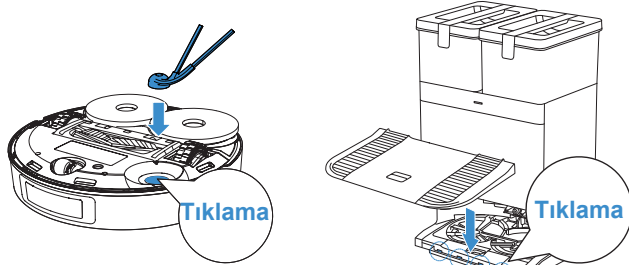
Lütfen koridor benzeri dar alanlarda durmayın ve TrueMapping'i engellemediğinizden emin olun.

2 Hızlı Başlangıç

Cihazı kullanmadan önce tüm koruyucu malzemeleri çıkarın.

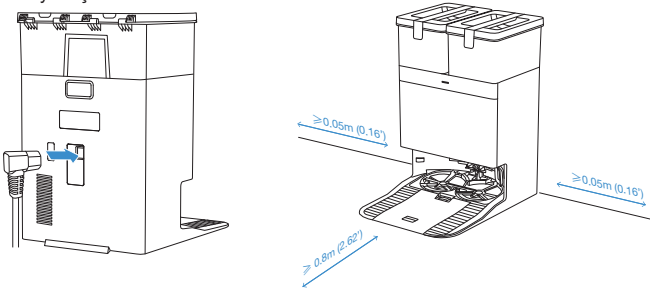
1. Kurulum

"Tık" sesi, kurulumun doğru yapıldığına işaret eder.



2. İstasyon Montajı ve Yerleştirme

OMNI İstasyonu, düz ve sert bir zemin üzerinde olacak şekilde duvara yaslayın. Eşyalarınızı, her iki taraftan 0,05 metre, ön taraftan ise 0,8 metre boşluk kalacak şekilde yerleştirin.

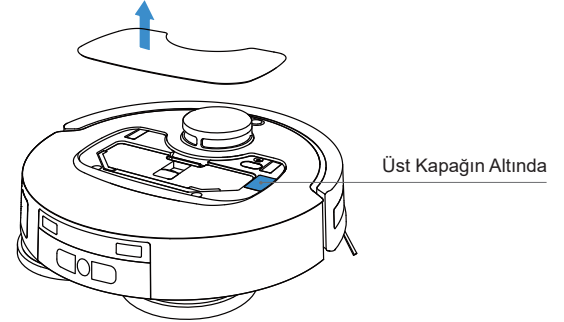


- İstasyonun yakınında ayna, yansıtma yapan pervaz gibi yansıtıcı objeler varsa bunların alttaki 14 cm'lik kısmının kapatılması gerekmektedir.
- İstasyonu doğrudan güneş ışığına maruz bırakmayın.
- Daha iyi bir deneyim için istasyonu güçlü Wi-Fi sinyalinin olduğu bir yere yerleştirin. Cihazı ıslak veya su birikintisi olan yüzeylerde kullanmayın.
- Robotu ve istasyonu nemli bezle silmeyin veya herhangi bir sıvı kullanmayın.

3 ECOVACS HOME Uygulamasını İndirme

Mevcut tüm özelliklerden yararlanabilmeniz için robotunuzu ECOVACS HOME Uygulaması aracılığıyla kontrol etmeniz önerilir.

1. Uygulamayı indirmek için Üst Kapağın altındaki QR Kodunu tarayın.



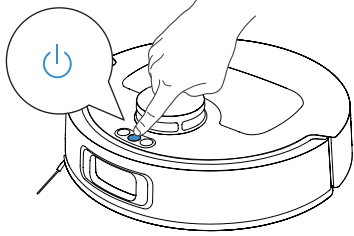
2. Uygulamayı indirmek için App Store veya Google Play'de "ECOVACS HOME" ifadesini aratın.



Not: • Kayıt, giriş ve bağlantı adımlarını tamamlamak için Uygulamadaki talimatları takip edin.

4 Robottu Çalıştırma

1. Güç anahtarını açın ve robotu güç kaynağına bağlı olan istasyonun önüne yerleştirin.



5 Robotu Uygulamaya bağlayın

Adı	Açıklama
Kızılötesi arayüz	Kızılötesi arayüz varsayılan olarak kapalıdır ve robot şarj istasyonundayken etkinleştirilir. DEEBOT şarj istasyonundayken, istasyon ile kızılötesi arayüz aracılığıyla iletişim kurar.
Wi-Fi*	Uygulamayla robot arasında veri aktarımını kolaylaştırarak robotun uygulama üzerinden kontrol edilebilmesini sağlar.
ECOVACS HOME Uygulaması	ECOVACS ürünleri, ağ kurulumu, haritalama ve temizleme modu seçimi (her ürüne özel) gibi akıllı işlevler sunar. Bu özelliklerden faydalanabilmek için kullanıcıların resmi ECOVACS Home Uygulamasını indirip kullanmaları gerekiyor.

* Robot serisi robot süpürgeler, ev temizliği senaryoları için tasarlanmıştır. Çalışması için evde Wi-Fi ağı gereklidir ve anti-DDoS koruması, kullanıcılar tarafından yönlendirme ayarları aracılığıyla yapılandırılabilir.

Wi-Fi Ağ Gereksinimleri:


- 2,4 GHz ağ veya 2,4/5 GHz karma ağ.
- 802.11b/g/n ve IPv4 protokolünü destekleyen bir yönlendirici.
- VPN (Sanal Özel Ağ) veya Proxy Sunucusu kullanmayın.
- Gizli ağ kullanmayın.
- WPA ile WPA2; TKIP, PSK, AES/CCMP şifrelemesi kullanır.
- WEP EAP (Kurumsal Kimlik Doğrulama Protokolü) desteklenmez.
- Kuzey Amerika'da 1-11 arası Wi-Fi kanallarını, Kuzey Amerika dışında ise 1-13 arası Wi-Fi kanallarını kullanın (yerel düzenleyici kuruma başvurun).
- Bir ağ genişletici/yineleyici kullanırsanız ağ adınız (SSID) ve parolanız, birincil ağınızinkilerle aynıdır.
- Lütfen yönlendiricinizde WPA2'yi etkinleştirin.

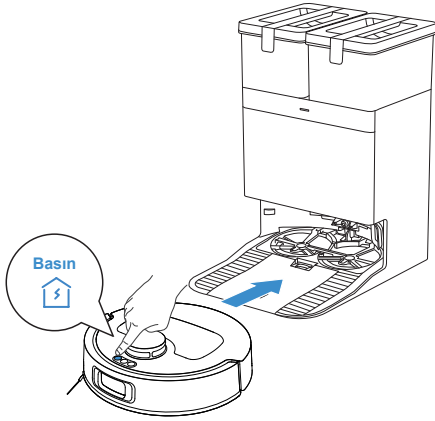
Wi-Fi Gösterge Işığı

	Yavaşça yanıp sönen beyaz ışık	Wi-Fi bağlantısı yok
	Hızlıca yanıp sönen beyaz ışık	Bağlanıyor
	Sabit beyaz ışık	Wi-Fi bağlı

Uzaktan başlatma, sesli etkileşim, 2D/3D harita görüntüleme ve kontrol ayarları gibi akıllı işlevlerin ve kişiselleştirilmiş temizliğin (Ürüne göre değişebilir) gerçekleştirilebilmesi için kullanıcıların sürekli güncellenen ECOVACS HOME Uygulamasını indirip kullanması gerektiğini lütfen unutmayın. Bazı temel ve gerekli bilgilerinizi işleyebilmemiz ve ürünü ECOVACS HOME Uygulaması aracılığıyla çalıştırabilmeniz için Gizlilik Politikamızı ve Kullanıcı Sözleşmemizi kabul etmeniz gerekir. Gizlilik Politikamızı ve Kullanıcı Sözleşmemizi kabul etmediğiniz takdirde bu özellikler kullanılamaz hale gelecektir. Ancak bu Cihazın temel özelliklerini manuel kullanım için de kullanabilirsiniz.

6 Robotu Açma ve Şarj Etme

Robotu geri çağırmak için ECOVACS HOME Uygulaması'nı kullanın veya şarj için yerleşmesine izin vermek üzere robot üzerindeki  düğmesine basın.

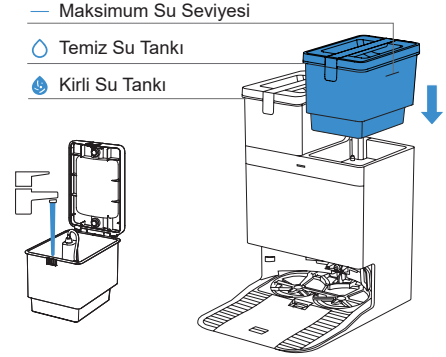


Not:

- Robotun kullanılmadığı zamanlarda robotu açık tutup şarj edin.
- Temizliğe istasyondan başlaması önerilir. Temizlik sırasında istasyonu hareket ettirmeyin.

7 Temiz Su Tankını doldurun

Temiz su tankını çıkarıp tankın kapağını açın ve maksimum su seviyesine kadar suyla doldurun. Tankın kapağını kapatın ve temiz su tankını tekrar takın.

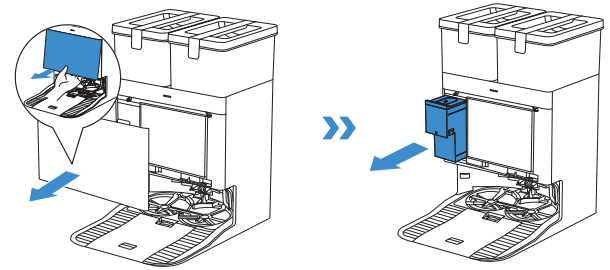


Not:

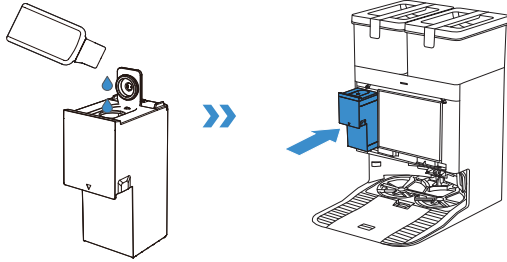
- Konumuna yerleştirmeden önce, tankın yüzeyinde su varsa suyu temiz ve kuru bir bezle silin.
- Kullanmadan önce her iki su tankının da üst kapaklarını sıkıca kilitlediğinizden emin olun.
- Su haznelerindeki su lekeleri fonksiyon testlerinden kaynaklanmaktadır. Lütfen güvenle kullanın.

8 Temizleme Solüsyonu Ekleyin (ayrı satılır)

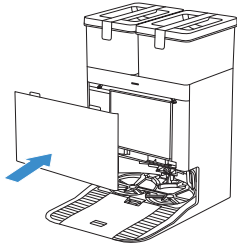
1. Toz toplama kabini kapağını çıkarın ve temizleme solüsyonu ünitesini dışarı çekip düz ve sert bir yüzeye koyun.



2. Temizleme solüsyonu ünitesinin kapağını açın ve ECOVACS temizleme solüsyonu (ayrı satılır) ile doldurun. Kapağı takın ve üniteyi istasyona geri koyun.



3. Toz toplama kabini kapağının üst kenarına uygun bağlantıları yerleştirin ve alt kısmını bastırarak düzgün bir şekilde takın.



Not:

- Temizleme solüsyonu, temizleme solüsyonu ünitesinden otomatik olarak pompalanır. Su tanklarına temizleme solüsyonu eklemeyin.
- Ürünün daha iyi performans göstermesi ve daha uzun ömürlü olması için lütfen ECOVACS DEEBOT temizleme solüsyonunu (ayrı satılır) kullanın.
- Temizleme solüsyonu ünitesine yabancı cisimlerin düşmemesine dikkat edin.

9 Robotu kullanma

1. Haritalamaya Başla

İlk kez bir harita oluşturulurken bazı küçük sorunların çözümüne yardımcı olmak için lütfen robotu takip edin.


Örneğin robot mobilyaların altına sıkışabilir. Lütfen aşağıdaki çözümlere bakın:

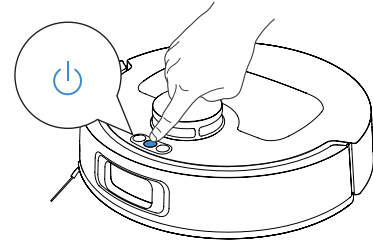
- ① Mümkünse alçak oturma mobilyalarını yükseltin.
- ② Mobilyanın tabanını örtün.
- ③ Uygulama aracılığıyla sanal sınır oluşturun.

2. Temizliğe Başla

- Robotun su tankı, istasyon aracılığıyla otomatik olarak doldurulur. Elle dolum yapılmasına gerek yoktur.
- Robot paspaslama sırasında zemin tiplerini tanıyacak ve halılarla karşılaştığında paspasları otomatik olarak kaldırabilecek. Lütfen robotu kabarık halılar veya 9 mm'den uzun liflere sahip halılar üzerinde kullanmayın. Temizleme işlemi sırasında 9 mm'den uzun liflere sahip kabarık halıları katlamanız veya ECOVACS HOME Uygulaması'nda sanal sınırı ayarlayarak kabarık halı kaplı alanı girişe yasak bölge olarak ayarlamamız önerilir.

İlk temizlikten önce robotun istasyonda ve tam şarjlı olduğundan emin olun.


Robotun başlaması için 'e basın. Temizliği başlatmak için ECOVACS HOME Uygulaması'nı da kullanabilirsiniz.




Not:

- Yıkanebilir paspas pedlerini sık sık çıkarmayın.
- Paspas pedi plakalarını bez veya başka cisimlerle kazımayın.
- Uygulama'nın size bildirdiği şekilde paspas pedlerini zamanında değiştirin. ECOVACS HOME Uygulamasında veya şu adreste daha fazla aksesuar keşfedin: <https://www.ecovacs.com>.


3. Duraklama

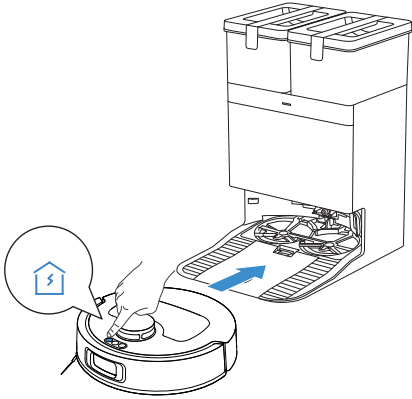
Robot çalışırken onu duraklatmak için 'e basın. Robotu duraklatmak için ECOVACS HOME Uygulaması'nı da kullanabilirsiniz.

4. Uyanma

Bir süre bekleddikten sonra robot üzerindeki tüm gösterge ışıkları sönecektir. Robotu uyandırmak için  düğmesine basın.

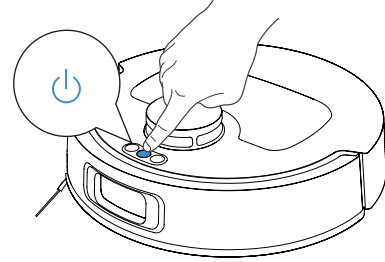
5. İstasyona Dönüş

Robotu geri çağırmak için ECOVACS HOME Uygulaması'nı kullanın veya robotun şarj için yerleşmesine izin vermek üzere robot üzerindeki  düğmesine basın.



6. Derin Uyku Modu

Robot, pili korumak için yaklaşık 10 saat boyunca istasyon dışında kalırsa derin uyku moduna geçer. Robotu uyandırmak için lütfen KAPAMA ve AÇMA düğmelerini kullanın.



TEKNİK ÖZELLİKLER

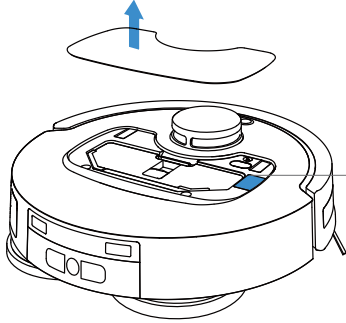
Model	DLX71		
Anma Girişi	20V === 2A	Şarj Süresi	yaklaşık 4.5 saat
İstasyon Modeli	CH2471		
Anma Girişi	220-240V ~ 50-60Hz	Anma Çıkışı	20V === 2A
Anma Girişi Akımı (Şarj)	0,5A	Güç (Boşaltma)	650W
Power(Sıcak Su Yıkama Paspası)	1650W		
Frekans Bantları	2400-2483,5 MHz		
Ağa Bağlı Bekleme Gücü	2.00W'dan az		

Wi-Fi modülünün çıkış gücü 100 mW'tan azdır.

Not: Sürekli ürün iyileştirme amacıyla teknik ve tasarıma ilişkin özellikler değiştirilebilir.

Daha fazla aksesuar için <https://www.ecovacs.com> adresine bakın.

Ürün gereksinimlerine (işlevsellik ve kullanıcı deneyimi) bağlı olarak, ürünlerimiz ultra düşük güçte olmayan bir cihaz mimarisini kullanır, bu nedenle kapalı mod veya bekleme modu yoktur. Makine tam şarj olduktan sonra 20 dakika içerisinde ağ bekleme moduna geçecektir. Ağa bağlı bekleme modu gücü 1.5 W.



QR kodunu taramak ve kullanım kılavuzunu edinmek için lütfen cep telefonu kameranızı kullanın.

Ecovacs Home Service Robotics Co., Ltd.

No.518 Songwei Road, Wusongjiang Industry Park, Guoxiang Street,
Wuzhong District, Suzhou, Jiangsu, China.

451-2499-0316