

Vacuum cleaner

User manual

VS70H18***

- Before operating this unit, please read the instructions carefully.
- For indoor use only

SAMSUNG

Contents

Safety information	3	Operations	15
Important safety symbols	3	Installing the charging stand	15
General	4	Removing the charging stand	16
Vacuum cleaner	5	Using the charging stand	17
Maintenance	7	Charging the battery	18
Charging stand / Battery charger	9	Inserting the battery	18
Battery	11	Ejecting the battery	19
		How to use the batteries optimally	19
Preparation	13	Battery protection mode	19
Accessories	13	Using the buttons and display	20
Parts overview	14	Using the accessories	23
		Maintenance	24
		Cleaning the vacuum cleaner	24
		Appendix	29
		Notes and cautions	29
		Troubleshooting	33
		Product specification	35
		Instructions about the WEEE	36

Safety information

- Congratulations on your new Samsung appliances. This manual contains important information on the installation, use, and care of your appliances. Read this manual thoroughly before using the appliances to ensure that you know how to safely and efficiently operate the features and functions that your new appliances offers.

Important safety symbols

What the icons and signs in this user manual mean:

WARNING

Hazards or unsafe practices that may result in **severe personal injury, death and/or property damage.**

CAUTION

Hazards or unsafe practices that may result in **personal injury and/or property damage.**

Read the instructions

After reading this manual, store it in a safe place for future reference.
Read all instructions before using the appliance.

NOTE

Supplementary information that may be useful.

Safety information

General

WARNING

To reduce the risk of fire, electric shock, or injury to persons when using your appliance, follow basic precautions, including the following:

1. This appliance is not intended for use by persons (including children) with reduced physical, sensory or mental capabilities, or lack of experience and knowledge, unless they have been given supervision or instruction concerning use of the appliance by a person responsible for their safety.
2. **For use in Europe:** This appliance can be used by children aged from 8 years and above and persons with reduced physical, sensory or mental capabilities or lack of experience and knowledge if they have been given supervision or instruction concerning use of the appliance in a safe way and understand the hazards involved.
Children shall not play with the appliance. Cleaning and user maintenance shall not be made by children without supervision.
3. **For use in UK:** If your appliance is fitted with a nonrewireable BS 1363 plug it must not be used unless an appropriately rated (ASTA approved to BS 1362) fuse is fitted in the carrier contained in the plug.
4. Children should be supervised to ensure that they do not play with the appliance.
5. If the supply cord is damaged, it must be replaced by the manufacturer, its service agent or similarly qualified persons in order to avoid a hazard.

-
6. Failure to meet these requirements could cause damage to the internal parts of the vacuum and void your warranty.
 7. Do not allow the vacuum cleaner to run unattended at any time.
 8. This product is intended for household use only. (Do not use this product for other than its intended purposes.)
 9. Do not allow children to ride on or play with the product. An injury or product damage may occur.

Vacuum cleaner

- When assembling the vacuum, be careful not to catch your fingers or hands in the movement fold of the handle.
- Do not use the vacuum cleaner on a wet rug or floor.
- Do not use the product at the following places;
 - In a place where a burning candle or a desk lamp is placed on the floor.
 - In a place where heaters are turned on or unextinguished embers exist in an unattended fireplace or an ashtray etc.
 - In a place where there are combustible materials such as oil paint, paint thinner, mothproofing substances, gasoline, alcohol, thinner, ashtrays with unextinguished cigarettes, etc.
 - In a closed place filled with explosive or toxic vapor.

Safety information

- Do not pick up the following things. Abnormal operation or product damage may occur.
 - A match or unextinguished ashes or cigarettes
 - Hard or sharp objects
 - Toxic materials (chlorine bleach, ammonia, drain cleaner etc.)
 - Liquid such as water or beverage or pet's waste
 - Chalk powder
- If there is a gas leak or combustible spray such as a dust remover is used, do not touch the power outlet and open the window for ventilation.
 - An explosion or fire may occur.
- If the product makes a strange sound or emits a smell or smoke, turn off the product immediately, and then contact a Samsung service center.
 - Electric shock or fire may occur.
- When using the vacuum cleaner, be careful not to hurt yourself on the moving or spinning parts.
 - Keep your body parts (Hair, hands, etc.) from the spin brush or the spin disk.
- When cleaning the wall or ceiling, you should use both hands.
 - If you clean with one hand, you can damage your wrist or drop the vacuum and cause an injury or damage the vacuum.
- Do not use the vacuum cleaner on objects that can be easily scratched (monitors, stainless steel appliances, etc.).
- Sometimes the wheel of a brush can scratch the floor. Before using the vacuum cleaner, check the wheels of the brush.
 - If there is foreign matter on the wheel of the brush which cannot be removed easily, contact a Samsung service center.

-
- When the spin brush inside a brush is working, do not touch the brush.
 - Otherwise, your hand can be caught and it may cause an injury.
 - Do not use the vacuum cleaner in direct sunlight or high heat.
 - If excessive force is applied to an accessory with motor or foreign matter is caught in the spin brush (or spin disk), the accessory may stop working to protect the motor or the product. Turn the vacuum cleaner off, remove the foreign matter, and then turn it back on.
 - Static electricity may occur depending on the humidity, temperature, or floor material, etc. in your home. If it happens repeatedly, contact a Samsung service center.
 - Do not use Combination Tool on hard materials such as leather or wood while bristles are not extended.

Maintenance

- While using or after using the vacuum cleaner, you should lay the vacuum cleaner down or place it on the charging stand to store.
 - The product may fall and an injury and severe product damage occur. In addition, you may not be compensated for the damage.
- Do not store the vacuum cleaner inside a car.
- Before removing foreign matter inside the product, turn off the product first.
 - If the product is on while you are removing the foreign matter, you can hurt yourself or damage the product.

Safety information

- When cleaning the exterior of the product, turn off the product first and then wipe it with a dry towel. Do not spray water directly onto the product or wipe it with volatile materials such as benzene, thinner, or alcohol.
 - If water gets into the product and an error occurs, turn off the product and contact a Samsung service center.
- When cleaning the washable parts, do not use alkaline detergent, acid, industrial detergent, air freshener, acetic acid, etc.
 - Product damage such as plastic breakage, deformation, discoloration, printing deterioration, etc. may occur.

Washable Parts		Dustbin, Washable Micro Filter, Fine Dust Filter, Metal Mesh Grille Filter, dry cloth
Acceptable detergent	Neutral	Dish washing detergent
Prohibited detergent	Alkaline	Lox, mold cleaner, etc.
	Acid	Paraffin oil, an emulsifier, etc.
	Industrial cleaners	NV-I, PB-I, Opti, alcohol, acetone, benzene, thinner, etc.
	Air freshener	Jet spray air fresheners (coffee flavor, herb, etc.)
	Oils	Animal oils, vegetable oils
	Etc.	Edible acetic acid, vinegar, glacial acetic acid, etc.

- Storing the product in sunlight for long hours may cause parts of the product to deform or discolor. Therefore, store the product in the shade.
- After cleaning the dustbin, Metal Mesh Grille Filter, or Washable Micro Filter with water, dry them in the shade.
 - When heat is applied, part deformation may occur.

Charging stand / Battery charger

- Do not pull or carry by the cord, use the cord as a handle, close a door on the cord, or pull the cord around sharp edges or corners. Keep the cord away from heated surfaces.
- Do not unplug by pulling on the cord. To unplug, grasp the plug, not the cord.
- Do not pull the power cord and do not touch the power plug with wet hands.
 - Electric shock or fire may occur.
- Do not use extension cords or outlets with inadequately rated current.
- If there is dust, water, etc. on a pin or contact point of the power plug pin, wipe them carefully.
 - Abnormal operation or electric shock may occur.
- Do not use a damaged power plug, power cord, or loose power outlet.
 - Electric shock or fire may occur.
- Unplug the power cord from the outlet before servicing.
- Do not expose the charging stand to high temperatures or allow moisture or humidity of any kind to come into contact with the charging stand.
- Do not plug the power cord into a power source with the incorrect voltage. Do not plug the charging stand into a multi-plug outlet or power strip.
 - Electric shock or fire may occur.
- If the power cord is damaged, have a Samsung authorized service center replace the power cord with a new power cord.
 - Electric shock or fire may occur.

Safety information

- Make sure that the charging terminals of the vacuum cleaner and the charging stand do not come into contact with a conductor such as a bracelet, watch, metal rod, nail, etc.
 - Product malfunction or electric shock may occur.
- As the charging stand is designed for the use of Samsung Jet cordless vacuum cleaner only, do not use the charging stand for other electronic appliances and other purposes.
 - Severe damage to the charging stand or fire may occur.
- Do not allow children to cling to or push the charging stand.
 - Personal injury, product and floor damage may occur.
- Do not charge the product near a window, heater, toilet, bathroom, etc.
- Do not attempt to open the charging stand. Repairs should be only carried out by a qualified Samsung service center.
- Injury or product malfunction from incorrect installation of the charging stand may not be compensated.
- Do not bend the power cord with excessive force or put heavy objects on the power cord.
 - Electric shock or fire may occur.
- Before unplugging or plugging power cord, turn off the vacuum cleaner and make sure that the pins of the power plug do not come into contact with your hands.
 - Fire or electric shock may occur.

Battery

- Do not mutilate or incinerate batteries as they will explode at high temperatures.
- Do not drop or strike the battery or subject it to a sudden shock.
- Do not disassemble the battery and make sure that you do not create a short circuit across the plus (+) and minus (-) terminals.
- As the battery is manufactured only for this product, do not use the battery for other electronic appliances or other purposes.
- When you purchase a new battery, make sure to check the model name (VCA-SBTH70) and the genuine **SAMSUNG** logo.
 - Contact your nearest Samsung Electronics retailer or Samsung service center to purchase any consumable accessories.
- Leaks from battery cells can occur under extreme usage or temperature conditions. If the liquid gets on your skin, wash the affected area quickly with water. If the liquid gets into your eyes, flush them immediately with clean water for a minimum of 10 minutes. Seek medical attention.
- When attaching the battery to the vacuum cleaner, insert it until you hear a click. This assures that the battery is firmly attached.
 - Otherwise, the battery may fall and could cause product damage or injury.
- If you are not going to use the vacuum cleaner for a long period of time or you are going to be away from home for a long period of time, unplug the charging stand, and then detach the battery from the vacuum cleaner. When the battery is not being charged and not being used, it will slowly discharge.
- To protect the motor and the battery, the product may not operate when the temperature is lower than 5 °C or higher than 45 °C.

Safety information

- Dispose of the dead battery in compliance with the local regulations.

Correct disposal of batteries in this product



This marking on the battery, manual or packaging indicates that the batteries in this product should not be disposed of with other household waste at the end of their working life. Where marked, the chemical symbols Hg, Cd or Pb indicate that the battery contains mercury, cadmium or lead above the reference levels in EC Directive 2006/66.

WARNING

To remove the battery contact an authorised service centre. To obtain battery removal instructions please visit samsung.com/global/ecodesign_energy

You must not remove (or attempt to remove) the battery incorporated in this product on your own.

FOR YOUR OWN SAFETY, DO NOT ATTEMPT TO REMOVE THE BATTERY ON YOUR OWN OR DISPOSE OF IT IN FIRE. DO NOT DISASSEMBLE, CRUSH OR PUNCTURE THE BATTERY

Batteries, after use, should not be thrown in regular trash.

To avoid risks to human health and the environment, perform environmentally appropriate disposal in a Samsung Authorized Service.

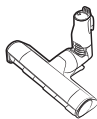
Preparation

Accessories

The accessories with the '*' mark may differ depending on the models.



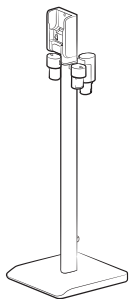
Pipe



Active Slim Brush



Combination Tool



Charging stand



Extension Crevice Tool



User manual



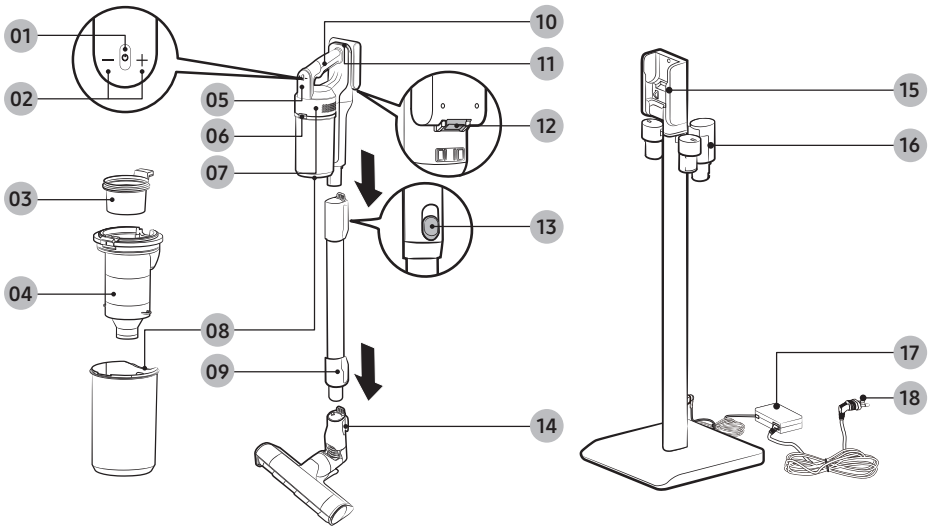
Battery charger / Power cord



Battery

Preparation

Parts overview



01 Power (⏻) button

02 Suction power control buttons

03 Washable Micro Filter

04 Metal Mesh Grille Filter

05 Display

06 Dustbin release button

07 Fine Dust Filter

08 Dustbin

09 Pipe

10 Handle

11 Battery level indicator

12 Battery release button

13 Pipe release button

14 Brush release button

15 Vacuum charging part

16 Accessory holder

17 Battery charger

18 Power cord

NOTE

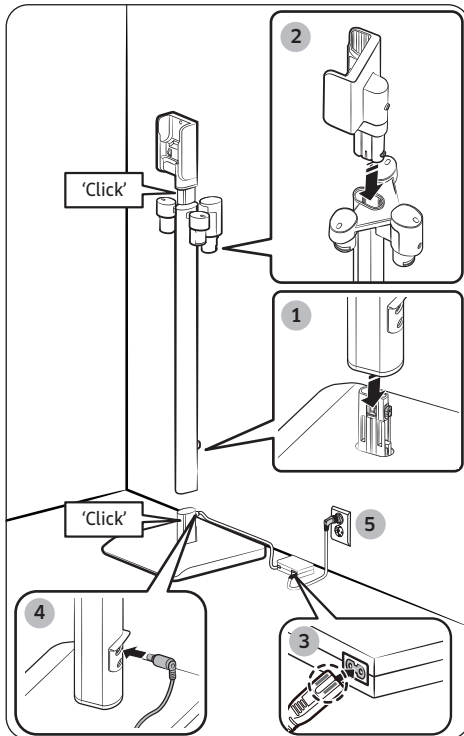
- The wave pattern on the exterior of the product is a natural appearance due to the use of pearl plastic materials and its pearl distribution. In addition, the shining pearl used in the material gives an excellent gloss coating, no extra coating necessary.
- Slight visual lines may appear on transparent molded parts. This is normal and does not affect performance.

Operations



For detailed information, please refer to the QR code.

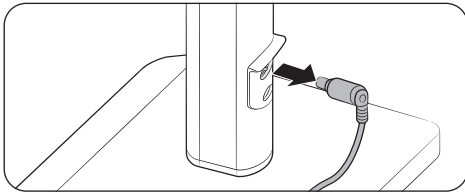
Installing the charging stand



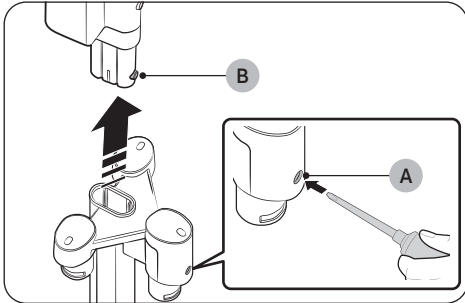
1. Assemble the support pole to the base plate.
 - You will hear a click when the two parts are properly assembled.
2. Assemble the vacuum charging part to the support pole.
 - You will hear a click when the two parts are properly assembled.
3. Connect the power cord to the battery charger.
 - Insert the power cord jack fully into the battery charger port until the two parallel lines on the jack are no longer visible.
4. Connect the power cord to the rear of the support pole.
5. Plug the power into an outlet.

Operations

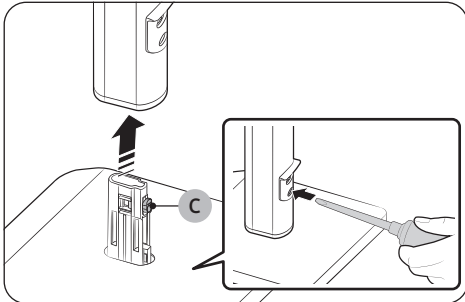
Removing the charging stand



1. Disconnect the power cord from the support pole.



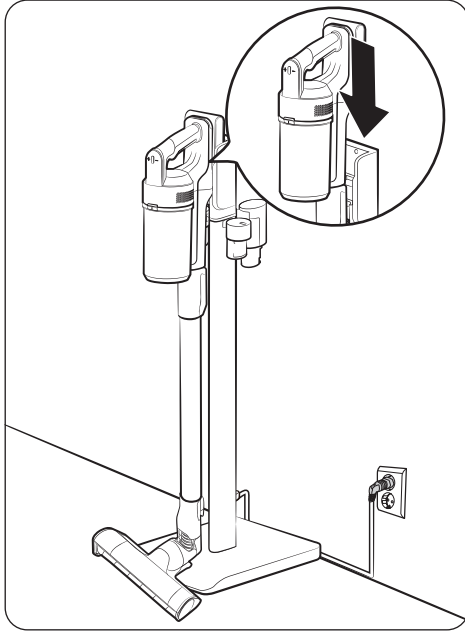
2. Remove the vacuum charging part.
 - Insert a screwdriver into the **hole (A)** located on the support pole.
 - While pressing the **release button (B)** with the screwdriver, lift the charging part to detach it from the support pole.



3. Remove the support pole.
 - While pressing the **release button (C)** with the screwdriver, lift the support pole to detach it from the base plate.

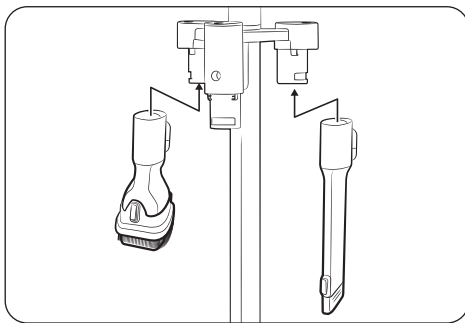
Using the charging stand

Charging



- Make sure the back of the battery is correctly placed onto the vacuum charging part.
- Check if the battery level indicator is displayed while charging.

Storing the accessories



When accessories are disassembled to be stored, dust may fall from the suction part of the vacuum cleaner.

- After cleaning, shorten the pipe length and operate in MAX mode for 10 seconds.

Operations

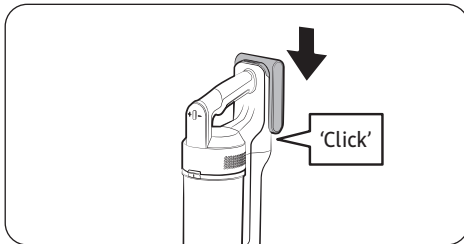
Charging the battery

- When the battery level indicator turns red or the red battery icon appears on the display, charge the battery.
- The vacuum cleaner cannot be used while charging.
- Make sure the back of the battery is correctly placed onto the vacuum charging part.
- Check that the battery level indicator is displayed while charging.
- When charging starts, the battery level indicator turns on (red, orange, or yellow depending on charging progress), it rises gradually, and changes to green when the charging is complete.

Charging Status	LED Color	Charging Level	
		Normal use	Battery care use
Charging is complete	Green	95 - 100 %	85 - 90 %
Charging	Yellow	30 - 95 %	30 - 85 %
Charging	Orange	9 - 29 %	9 - 29 %
Charging is required	Red	0 - 8 %	0 - 8 %

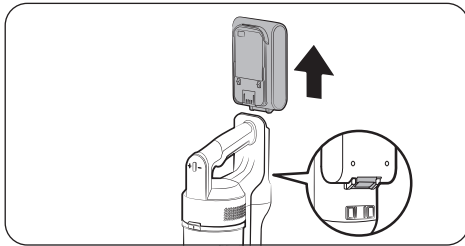
- The LED turns green when the battery reaches 100 % during normal use, or 90 % during Battery Care use.

Inserting the battery



Push the battery to the end until you hear it click.

Ejecting the battery



Press the battery release button at the rear of the handle to eject the battery.

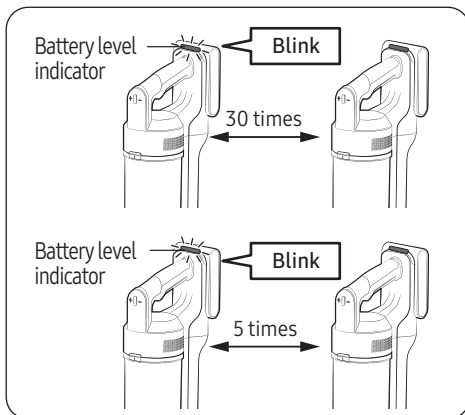
⚠ CAUTION

- Before ejecting the battery, the vacuum cleaner must be turned off.
 - The vacuum cleaner may malfunction if you eject the battery forcibly from the operating vacuum cleaner.
- Be careful not to drop the battery. If you do, you can injure yourself or damage the battery.

How to use the batteries optimally

- To use the batteries longer, use the vacuum cleaner with the lower suction power setting.
- For the available cleaning time with a fully charged battery, refer to the 'Product specification' section.

Battery protection mode



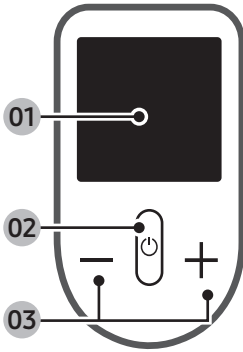
- The vacuum cleaner has a battery protection mode, which can suddenly stop the operating vacuum cleaner when it detects a danger to battery use.
 - If the battery level indicator blinks red for 30 times, you must wait for 30 seconds before you can use the vacuum cleaner again.
 - If the battery level indicator blinks red for 5 times, the battery is no longer usable. Please replace the battery with a new one.

📖 NOTE

Battery protection mode is activated when a battery-usage risk is detected.

Operations

Using the buttons and display



01 Display

- Displays the current mode (**MIN, MID, MAX, JET**) or the alert message.
- Displays the detailed information to allow you to set or change the desired function.

02 Power (⏻)

- Press this button to turn on or off the vacuum cleaner.
- When you turn on the power, the vacuum cleaner starts in the '**MID**' mode.

03 Suction power control (+ / -)

- You can change the suction power mode (**MIN, MID, MAX, or JET**).
- Press the **+** or **-** button to set or modify the desired function. For detailed instructions on setting and modifying functions, refer to the '**Using the settings menu**' section.

NOTE

The brush may cling to the floor or does not turn properly depending on the floor material (a carpet, a mat, bedding, etc.). If such a problem occurs, change the suction power mode to '**MIN** or **MID**'.

Alert messages and what to do

The vacuum cleaner displays alert messages for user to inspect certain parts or clean certain parts such as a filter.

Message	What to do
Object stuck in brush/tool	Check if the foreign matters are stuck in the brush or tool.
Check if clogged	Check if the brush, pipe, Washable Micro Filter or Fine Dust Filter is clogged with foreign matter.
Filter not inserted	Check if the Washable Micro Filter is properly assembled.
Clean Micro filter	Alerts and recommends the user to regularly check and wash the Washable Micro Filter. (Refer to the ' Cleaning the vacuum cleaner ' section.)
Use compatible battery	Check the model name of the battery and make sure it is compatible. (VCA-SBTH70)
Sensor check required	<ul style="list-style-type: none">• A sensor check is required for the Smart motion function. Reset the vacuum cleaner, and if the alert message persists, contact customer service.• This alert affects only the Smart motion function, and the cleaning operation is not affected.

Using the settings menu

You can change various settings for the vacuum cleaner in the settings menu.

1. Enter the settings menu.
 - When the display is on, press and hold the **+** button for 3 seconds to enter the settings menu.
2. Select the desired setting.
 - Use the **+** or **-** button to select a setting, then press and hold the **+** button for 3 seconds to change it.
 - Some settings require choosing from multiple options. Select the option with the **+** or **-** button, then press and hold the **+** button for 3 seconds to apply it.
 - When the "**Settings changed**" message appears, the changes have been applied.
3. Exit the settings menu.
 - Press the **⏻** button to exit the settings menu.

NOTE

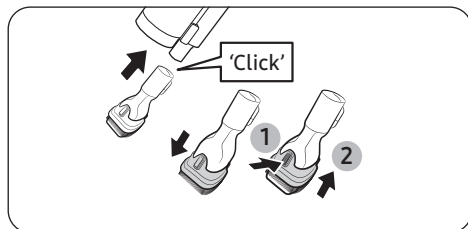
- You can move to the upper-level menu or exit the settings menu if you select '**Exit**' and press and hold the **+** button for 3 seconds.
- If the vacuum cleaner is not on the charging stand, it will start cleaning immediately after you exit the settings menu by selecting '**Exit**'.

Operations

Function	Explanation
Smart motion	<ul style="list-style-type: none">• The vacuum automatically stops cleaning when it detects that the user has paused cleaning for a certain period. The vacuum cleaner turns off automatically if it does not detect any motion for 1 minute.• The default setting is 'Off'.
Battery care	<ul style="list-style-type: none">• Charging the battery up to 90 % of its capacity is recommended to help preserve the battery's lifespan over the long term. When the Battery care function is enabled, the battery charges only up to 90 %.• When this function is enabled, "Running battery care" is displayed when charging begins.• The default setting is 'Off'.
Charging screen, lights	<ul style="list-style-type: none">• You can turn on or off the display and battery level indicator that shows battery's charging status.• The default setting is 'On'.
Default suction power	<ul style="list-style-type: none">• Set the initial suction power when cleaning starts. ('MIN', 'MID', 'MAX', or 'JET')• The default suction power cannot be changed during use if a motorized brush is not installed.
Set language	<ul style="list-style-type: none">• Set or change the languages to your preferred option.
Reset	<ul style="list-style-type: none">• You can reset the settings to factory default.

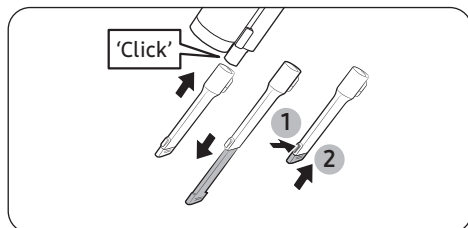
Using the accessories

Combination Tool



Use to remove dust from curtains, furniture, sofas, etc.

Extension Crevice Tool

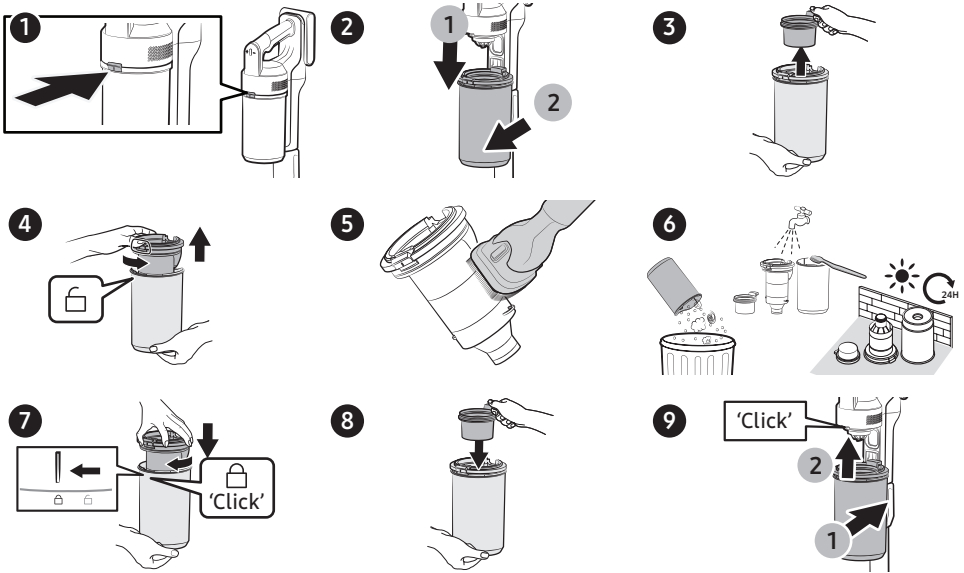


Use to remove dust in grooves of window frames, narrow gaps, corners, etc.

Maintenance

Cleaning the vacuum cleaner

Dustbin/Washable Micro Filter

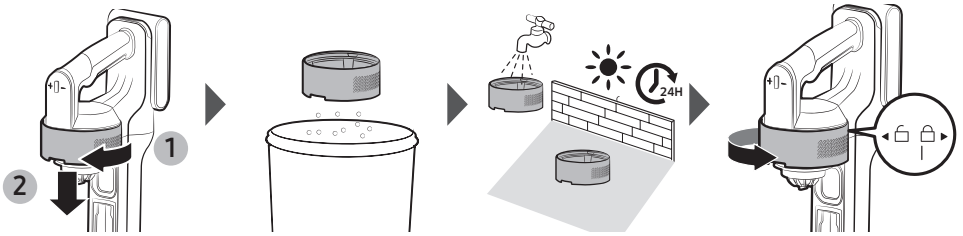


⚠ CAUTION

- After cleaning the dustbin and Washable Micro Filter with water, you should dry them completely in the shade for more than 24 hours before use.
 - When heat is applied, part deformation may occur.
 - If the filter is not dried completely before being used, it can cause an odor.
- If the dustbin or the filter is clogged, the vacuum cleaner may stop its operation due to the overheating prevention device of the motor.
 - Clean the dustbin or the filters and then operate the vacuum cleaner again.

Fine Dust Filter

Make sure to turn off the product before cleaning the filter.



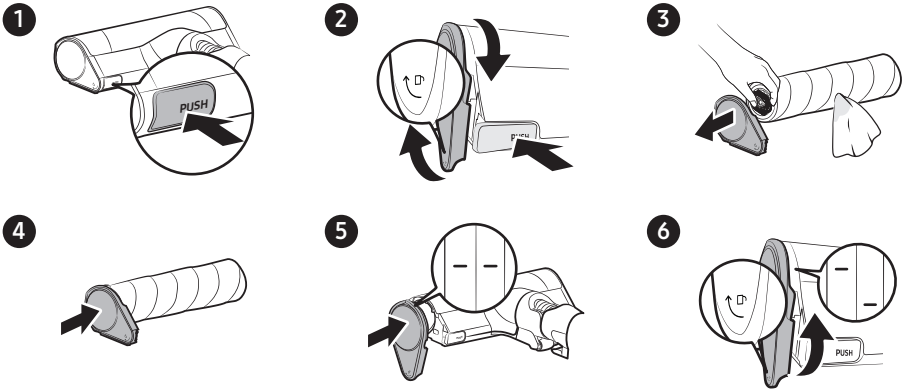
- Twist and pull off the Fine Dust Filter, and tap it gently to remove the dust.
- Wash the filter with running water once a month to maintain the best performance of the filter.
- After cleaning, dry it completely for more than 24 hours in the shade before use.
- For assembly, turn it counterclockwise until the line under the lock image is not visible.

NOTE

- Do not use detergent or tool when washing the filter.
- Do not dry with heat.

Maintenance

Active Slim Brush



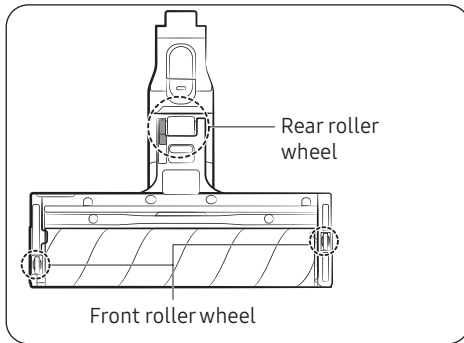
CAUTION

- Do not clean the brush with water.
- When foreign matter remains on the brush, remove it with a wet tissue or a dry cloth.

NOTE

- If the spin brush does not work after cleaning the Active Slim Brush, the overheating prevention device of the motor may have been enabled. Wait 30 minutes or more to cool the motor before operating it again.
- When removing residual debris with a wet tissue, rub the spin brush gently to avoid compressing it.
 - To prevent the bristles on the spin brush from being compressed and causing unwanted vibration, dry the spin brush vertically on the floor.
- Properly insert the spin brush to its slot.

Active Slim Brush roller wheels



Use a small screwdriver to disassemble the front and rear roller wheels.

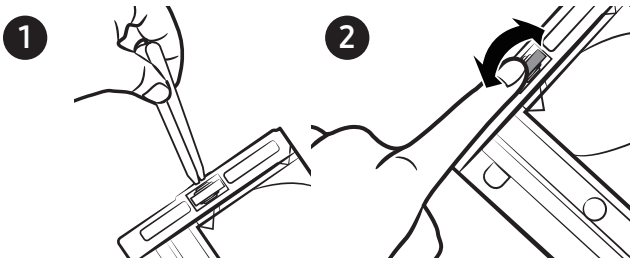
 **NOTE**

Tools required for disassembly. Flat head screwdriver (3 mm or less in width), Phillips screwdriver, prying tool.

 **CAUTION**

- For your safety, wear gloves before disassembling.
- You may damage the product if you use tools that are wider or thicker than the gaps allowed for disassembly.
- Keep the detached front and rear roller wheels out of children's reach. Beware of detached front and rear roller wheels as they can be a choking hazard.
- Be careful not to injure your hands or other body parts when using the tool.

Front roller wheel



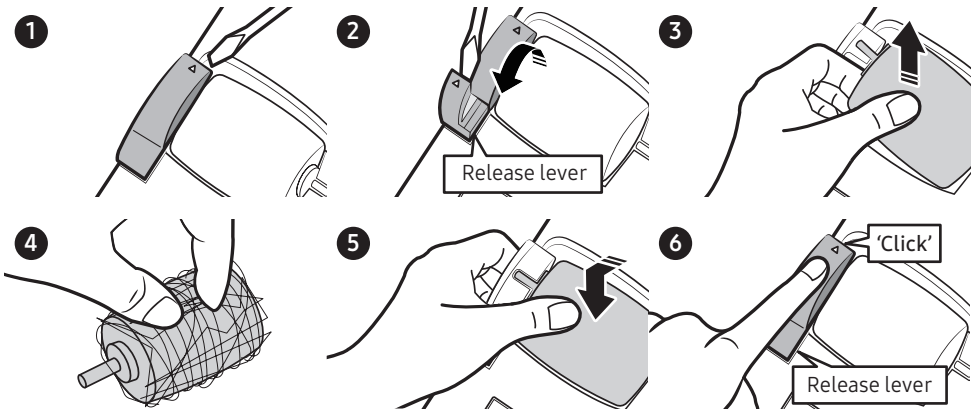
- Use tweezers to remove tangled foreign matter gaps around each wheel.
- Rotate each wheel by hand to remove any tangled foreign matter from the gaps.

 **CAUTION**

You cannot remove the front wheels of the Active Slim Brush. Do not attempt to force it off.

Maintenance

Rear roller wheel

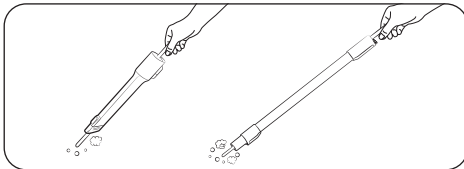


- Lift the release lever to detach the rear roller wheel.
- Detach the rear roller wheel and remove the tangled foreign matter. Then, reassemble the wheel.
- Insert the rear roller wheel into its place, and then press the release lever until you hear a click.

CAUTION

Be careful not to damage the release lever with a screwdriver. There is a chance of damaging the release lever if you apply excessive force to lift the release lever or twist the screwdriver while it is inserted into the gap.

Extension Crevice Tool / Pipe



Insert a long thin stick and rotate several times to clean the Extension Crevice Tool or the Pipe.

Appendix

Notes and cautions

Installation

CAUTION

- Do not install the product near water, in an area with excessive moisture, or near window, etc.
- Do not place the charging stand in a place where people pass by frequently, in entrance way or narrow passage.
 - People may trip over it and be injured, or product damage may occur.
- If the charging stand is installed incorrectly, it may fall over, which could cause an injury and severe product damage.
- Install the charging stand in a place where there are no objects that could break and cause damage.
- If you have a problem with installing the charging stand, contact a Samsung service center.

Appendix

Battery usage

NOTE

- If the product does not work after you charge the battery, replace the battery. If it still does not work with the new battery, contact a Samsung service center.

CAUTION

- Do not disassemble the battery or the charging stand.
- Do not apply heat to the battery and do not put the battery in a fire.
- Removing the battery during operation may cause product malfunction.
- If you have removed the battery while the vacuum cleaner motor is operating, the vacuum cleaner may not work for 30 seconds even after you re-attach the battery for safety reasons.
- Battery usage time may shorten with increased battery use. When the battery no longer charges or runs down quickly, replace the exhausted battery with a new one.
- Use only the charging stand and batteries provided by the manufacturer.
- Before inserting the battery, confirm that the battery is being inserted in the correct direction.

Operation

NOTE

- Please charge the battery before using a newly purchased battery for the first time or if you have not used the battery for a long time.
- When the battery level is low, recharge it. If the level of the battery remains low for a long period of time, it can cause the performance of the battery to degrade.
- Do not push the charging stand so it falls over.
 - Personal injury, product and floor damage may occur.

CAUTION

- Do not leave the product leaning against a wall or a table.
 - The product may fall and an injury and severe product damage may occur.
- Do not allow children to touch the product while cleaning.
 - When the vacuum cleaner overheats, children may get burnt.
- Use both hands to carry the charging stand.
- Before unplugging or plugging power cord, turn off the vacuum cleaner and make sure that the pins of the power plug do not come into contact with your hands.
 - Fire or electric shock may occur.
- When cleaning, be careful that the side of the brush does not bump into a molding part, a wall, furniture, etc. and cause staining.
 - For a slight stain, remove it with a wet tissue or a cleaner.
- Do not use water to clean the product when in use.
- You should use the product in dry places and do not use the product in wet places or on water.
- Do not use without a filter in place.

Appendix

Maintenance

CAUTION

- Do not push the vacuum cleaner while it is stored in the charging stand.
 - Personal injury, product and floor damage may occur.
- Do not clean the brush of the vacuum cleaner with water. Cleaning it with water can cause deformation of parts or malfunction.
- If you notice a continuous reduction in suction or the vacuum cleaner overheats abnormally, clean the products and replace filters.

Troubleshooting

Before calling for service, review the problems and solutions below. Note that you will be charged for any service calls in which no defects were found.

Problem	Solutions
The vacuum cleaner does not work.	<ul style="list-style-type: none"> • Check the battery level and charge the battery. • Check whether the product is turned off, and then press the Power button to turn it on. • Make sure the battery is properly inserted into the vacuum cleaner. • Check whether the Pipe, the dustbin or the brush is blocked. • Check that the Washable Micro Filter is inserted correctly. • If the vacuum cleaner has not been used for a long time, charge the battery. • If the battery dies, replace the battery. • Check if the battery protection mode is activated. (For more information, refer to the 'Battery protection mode' section.)
The spin brush is not moving.	<ul style="list-style-type: none"> • When the 'Check Brush' message appears on the display, turn off the vacuum cleaner and check whether the brush is clogged with foreign matter. If so, remove the foreign matter and restart the vacuum cleaner. • When the vacuum cleaner is turned on, turn it off and on again.
An odor emits from the air outlet or the filter of the product.	<ul style="list-style-type: none"> • Empty the dustbin and clean the filters frequently. <ul style="list-style-type: none"> - As your vacuum cleaner is a new product, it may have a slight odor for the first 3 months after purchase. - If you use the vacuum cleaner for a long period of time, accumulated dirt in the dustbin or dust on the filter may generate an odor. • Replacement filters are available at your local Samsung service agent.
Static electricity occurs when cleaning a thick and soft mat.	<ul style="list-style-type: none"> • Materials of a mat (childcare center mat, noise prevention mat for between floors, etc.) may cause the static electricity. <ul style="list-style-type: none"> - Move the brush on a normal floor for a while and clean again, then the static electricity should disappear.

Appendix

Problem	Solutions
The vacuum cleaner cannot be charged.	<ul style="list-style-type: none"> • Make sure the vacuum cleaner is properly placed on the Charging stand. • Make sure the Charging stand is properly plugged in. • Confirm that the voltage provided to the charging stand matches the requirements of the charging stand. • Check that the vacuum cleaner is turned on, and then check that the LED of the battery level indicator is turned on. • Check if foreign matter (dust) is on the charging terminal. Remove any foreign matter with a cotton swab or soft cloth. • Place the vacuum cleaner on the charging stand with the Pipe and the Active Slim Brush attached. • Check if the 'Charging screen, lights' setting is 'Off'. If the setting is off, the battery level indicator will remain off even though the battery is charging normally. • When a white battery icon [🔋] appears on the display, charging will resume automatically after the battery cools down.
Vacuum cleaner stops operation during cleaning.	<ul style="list-style-type: none"> • As this product has the overheating prevention device of the motor, product will stop operation temporarily for the following conditions. After correcting the cause of the problem, turn the product on again. (This case may differ depending on the ambient temperature.) <ul style="list-style-type: none"> - When the vacuum cleaner operates with a full dustbin. - When the vacuum cleaner operates with a brush clogged. - When the Extension Crevice Tool is used for long hours. • Check if the 'Smart motion' setting is 'On'. If the setting is on, the vacuum cleaner automatically stops operating when there is no movement. It will resume operating automatically when you move the vacuum cleaner around.
Suction force decreases suddenly and the vacuum cleaner makes a vibrating sound.	<ul style="list-style-type: none"> • Check whether the brush, the dustbin or the Pipe is clogged with foreign matter and remove it. • Check whether the dustbin is fully filled with dust. If it is, empty the bin. • Check whether the filter is dirty. If it is, clean the filter.
Cleaning is finished but small dust particles come out of the accessories.	<ul style="list-style-type: none"> • After cleaning, operate the vacuum cleaner for 10 seconds or more to suck the small dust particles.
Brush stops on deep pile carpet or floor mat.	<ul style="list-style-type: none"> • Protective mode may operate to prevent motor damage caused by overload. Adjust suction power according to pile length and resistance of carpet.
The usage time seems shorter than expected.	<ul style="list-style-type: none"> • Check whether the 'Battery care' function is enabled. When this function is set to 'On', the battery charges only up to 90 %, reducing the available usage time to about 90 %.

Product specification

Charging and cleaning time may differ depending on the brushes and the conditions of use.

Model		VS70H18***	
Power consumption (Vacuum cleaner)		Based on a handy vacuum cleaner: 500 W	
Battery specification		Li-ion 18 V, 2400 mAh, 5 cell	
Weight (Vacuum cleaner)		1.96 kg (Active Slim Brush)	
Size	Vacuum cleaner	Width 250 mm x Depth 181 mm x Height 1040 mm	
	Charging stand	Width 269 mm x Depth 282 mm x Height 1027 mm	
Charging time		3.5 hours	
Cleaning time (Default mode: MID)	Combination Tool / Extension Crevice Tool	MIN: Approx. 50 min.	MID: Approx. 20 min.
		MAX: Approx. 10 min.	JET: Approx. 6 min.*
	Active Slim Brush	MIN: Approx. 35 min.	MID: Approx. 20 min.
		MAX: Approx. 12 min.	JET: Approx. 8 min.

* The cleaning time in JET mode when using the combination tool or extension crevice tool may differ depending on actual usage conditions and the degree of dust filter clogging.

NOTE

Cleaning time stated in the above table is based on a test after using one battery. Cleaning time doubles when you use two batteries consecutively.

Appendix

Instructions about the WEEE



Correct Disposal of This Product (Waste Electrical & Electronic Equipment)

(Applicable in countries with separate collection systems)

This marking on the product, accessories or literature indicates that the product and its electronic accessories (e.g. charger, headset, USB cable) should not be disposed of with other household waste at the end of their working life. To prevent possible harm to the environment or human health from uncontrolled waste disposal, please separate these items from other types of waste and recycle them responsibly to promote the sustainable reuse of material resources.

Household users should contact either the retailer where they purchased this product, or their local government office, for details of where and how they can take these items for environmentally safe recycling.

Business users should contact their supplier and check the terms and conditions of the purchase contract. This product and its electronic accessories should not be mixed with other commercial wastes for disposal.

For information on Samsung's environmental commitments and product regulatory obligations, e.g. REACH, visit our sustainability page available via www.samsung.com
(For products sold in European countries and in the UK only)

Memo

Memo

Memo

SINGAPORE	1800 7267864 1800-SAMSUNG (All)	www.samsung.com/sg/support
HONG KONG	3698 4698 (All Product) 3698 4688 (B2B) 3698 4633 (eStore) 2121 9088 (Samsung pay)	www.samsung.com/hk/support (Chinese) www.samsung.com/hk_en/support (English)

