

Model: MS22142



TRAVELER

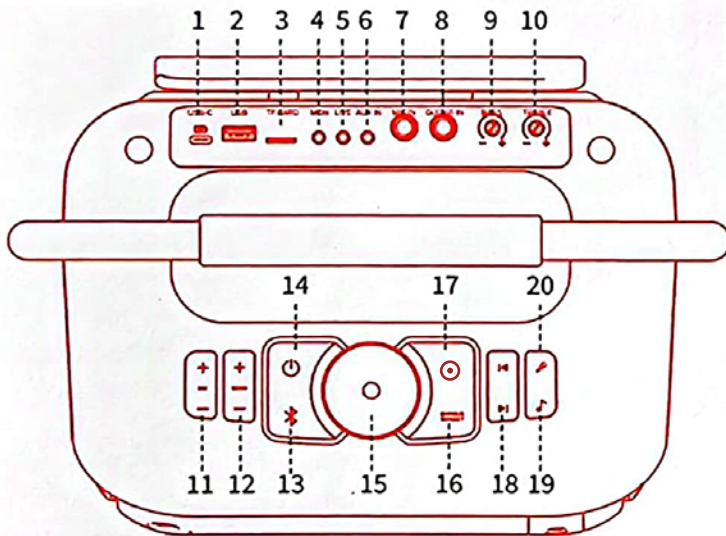
HIGH POWER BACKPACK SPEAKER

Quick Start Guide

Please read this Quick Start Guide carefully
and keep it for future use

Product Overview

- Speaker Unit
- AUX IN Cable
- USB-C Charging Cable
- Quick Start Guide & Warranty Letter



1.USB-C

USB-C charging port

2.USB

Connect a USB storage device.

3.TF CARD

Connect TF Card (not included) storage device.

4.MON

Listening interface, connected to headphones (not included).

5.LIVE

Live broadcast port connects live broadcast devices.

6.AUX IN

External audio devices can be connected using audio cables (not included).

7.MIC IN

Connect to microphone (not included).

8.GUITAR IN

Connect to guitar (not included).

9.BASS

Turn clockwise/counterclockwise to increase/decrease the musical bass.

10. TREBLE

Turn clockwise/counterclockwise to increase/decrease the musical treble.

11.Microphone volume adjustment

12.Reverberation adjustment

13.Bluetooth button

Press the button to enter Bluetooth pairing mode.
Press and hold for 5 seconds to clear all paired devices.

14.Power on/off

Press and hold for 2 seconds to turn on or off.

15.Multi-function button

Press to play or pause music.
Turn clockwise/counterclockwise to increase/decrease the master volume.

16.Sound Mode button

Press this button to switch between sound modes.

17.Recording button

Press this button to start/end recording.
Double-click this button to enter or exit the recording file playback.

18.Previous song/next song

19.Accompaniment Vocal switch

20.Microphone priority on/off

Caution:

- When the speaker is on, do not look directly into the component.

LED Indicator Guide

| | Description | Voice/Tone | Status |
|-------------|--|--------------------------|---------------|
| ⏻ | ○ White LED light | Opening Tone | Power On |
| | ● The white LED is off | Goodbye | Power Off |
| 📶 | ⚡ White LED lights flashing | Discovering | Not connected |
| | ○ White LED light | Your device is connected | Connected |
| BASS BOOST | ○ White LED light is white | - | - |
| | ● White LED light dark white | - | - |
| | ● The white LED is off | - | - |
| Battery low | - | Battery low | - |
| Charging | While charging, the red indicator lights up, When full, the red light goes off | - | - |

Description: ○ Indicator light

● Indicate that the light is off

● Indicates that the LED lights dim

⚡ Indication flash

Power/Charging

For better enjoyment, fully charge the speaker before use.

A USB-C charging cable (charge only) is included for standard USB compatible device.

Please use a 5V/2A or above power adapter (not included).

Caution: - Other incompatible charges may cause damages.

- Do not use if the connector or device is wet or damaged.

Power On/Off

To turn on the speaker, press and hold the Power On/Off Button for 2 seconds, you will hear a power on tone.

To turn off the speaker, press and hold the Power On/Off Button for 2 seconds, you will hear a power off tone.

Caution: If no Bluetooth device is connected, the speaker will turn off in 15 minutes.

Bluetooth Connection

- When first used and turned on, the speaker will automatically enter a waiting mode for connection.
- If the Bluetooth device is already connected, press "📶" button to disconnect the current connection and connect with other devices.
- The speaker will automatically enter pairing mode if it is not connected to a Bluetooth device.

When pairing, enable the Bluetooth function of the phone and search for "**Monster Traveler**" to connect. When the connection is successful, you will hear a prompt tone and the Bluetooth indicator will turn from blinking to long on.

Music control

Press " ⏪ " once to play or pause music.

Press " ⏮ " once to go to the previous song.

Press " ⏭ " once to go to the next song.

Turn clockwise/counterclockwise to increase/decrease the master volume.

USB IN (Audio) Playback

When speaker is on and USB drive is inserted, USB IN (Audio) is the priority playback source. If you want to use Bluetooth function, press the " ⏻ " Button to switch the source.

Micro SD Card Playback

When speaker is on and micro SD card (Not included) is inserted, micro SD card is the priority playback source. If you want to use Bluetooth function, press the " ⏻ " Button to switch the source.

AUX IN Playback

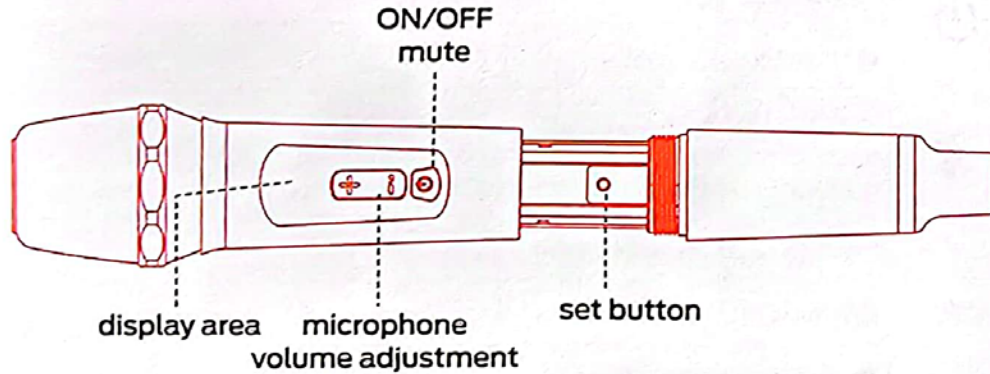
When speaker is on and audio source is inserted via AUX IN, AUX IN is the priority playback source. If you want to use Bluetooth function, press the " ⏻ " Button to switch the source.

Live broadcast function

Connect the speaker to the live broadcasting device, one end of which is connected to the live broadcasting device, and the other end is connected to the live broadcasting port of the speaker. Use another mobile device to connect to the Bluetooth or AUXIN of the speaker to play accompaniment, and all the sounds (music/microphone sounds) at the end of the speaker can be uploaded to the live broadcasting device through the live broadcasting line (excluding).

Wireless Microphone

When the speaker is on, turn on the power switch on the wireless microphone to use the wireless microphone.



Operating instructions:

Power On: Press and hold "⏻" for 2 seconds, the screen will display "ON".

Power Off: Press and hold "⏻" for 2 seconds, the screen display "OFF".

Mute: Press the "⏻" button to display "--".

Volume adjustment: Press the +/- button.

Frequency switch: Press the SET button to switch between different frequency points.

Decoding: Press and hold the SET button for 5 seconds, when the screen displays "----" circulating, turn on the speaker, until the "----" icon exits, Decoding is complete.

Lock code: Press and hold the SET button for 5 seconds, when the screen displays "ID --" blinking, turn on the speaker, until the "ID --" icon exits, Lock code complete.

* **Note:** When operating the unlock/lock code, the speaker needs to restart (built-in receiver board) once to complete this operation.

Monitoring function

After inserting the monitoring hole, the speaker will enter the mute state, and the sound of the speaker will be output through the monitoring hole. In this case, double-click the power button "⏻" to turn on or off the sound output of the speaker.

Power Saving Setting

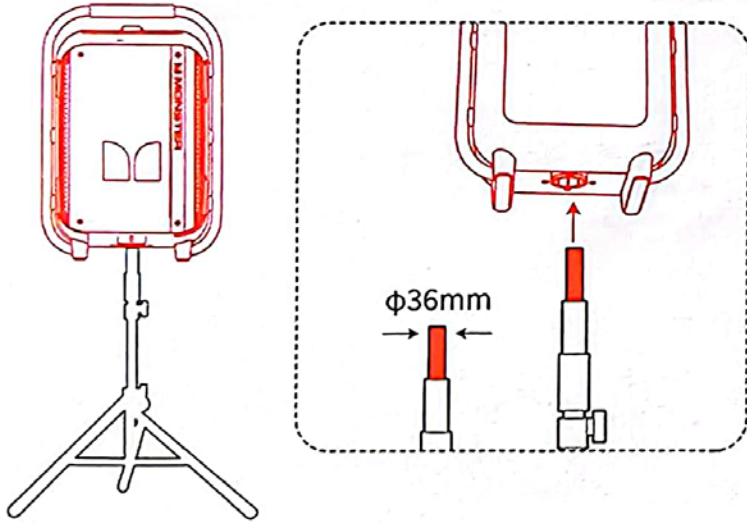
- In Bluetooth mode, when no device is connected, the speaker will be switched off automatically in 15 minutes.
- AUX IN mode/ Micro SD card mode/USB IN (AUDIO) mode or Bluetooth mode, no music playback for 15 minutes, the speaker will be switched off automatically.
- If microphone is plugged in and idled over 15 minutes, the speaker will be switched off automatically.

Reset Device

If the speaker needs to be reset, press the reset button.

Use speaker stand (not included)

The speaker can be used with the support. You can place the speaker on the support.



Cautions:

Installation must be done by qualified persons using safe rigging standards. The installer is responsible for proper selection and use of mounting hardware, to properly and safely pole-mount the speakers.

Caution

- It is not recommended to replace the battery privately.
- The battery (battery pack or battery pack combination) must not be exposed to sunshine, fire or similar overheated environments.

FCC Statement

Changes or modifications not expressly approved by the party responsible for compliance could void the user's authority to operate the equipment.

This equipment has been tested and found to comply with the limits for a Class B digital device, pursuant to Part 15 of the FCC Rules. These limits are designed to provide reasonable protection against harmful interference in a residential installation. This equipment generates, uses and can radiate radio frequency energy and, if not installed and used in accordance with the instructions, may cause harmful interference to radio communications. However, there is no guarantee that interference will not occur in a particular installation. If this equipment does cause harmful interference to radio or television reception, which can be determined by turning the equipment off and on, the user is encouraged to try to correct the interference by one or more of the following measures:

- Reorient or relocate the receiving antenna.
- Increase the separation between the equipment and receiver.
- Connect the equipment into an outlet on a circuit different from that to which the receiver is connected.
- Consult the dealer or an experienced radio/TV technician for help.

This device complies with part 15 of the FCC rules. Operation is subject to the following two conditions (1) this device may not cause harmful interference, and (2) this device must accept any interference received, including interference that may cause undesired operation.