

# User Manual

## Boston Acoustics BA Classic 10



# Karaoke Loud Speakers

# User Manual

## Boston Acoustics BA Classic 10



This is a detailed guide on how to use Boston Acoustic BA Classic Series speakers. Be sure to read and follow the instructions to optimize and sustain long term usage

Keep this document for reference when needed. Find more information about this product at: [www.anhduy.vn](http://www.anhduy.vn) and [www.anhduyaudio.com](http://www.anhduyaudio.com)

### INTRODUCTION

Boston Acoustic BA Classic Series speakers are the world's first premium retro style karaoke speakers. With the ability to produce both powerful punchy sound and sweet warm softer tones, these speakers are the ideal choice to fit modern high-quality Karaoke needs.

The BA Classic Series includes 3 speaker models with different power levels for different settings. The BA Classic 8 with a 100W capacity has an 8-inch Woofer (Mid/Bass 203mm), the BA Classic 10 with a 150W capacity has a 10-inch Woofer (Bass 254mm) and the BA Classic 12 with 250W capacity has a 12-inch Woofer (Bass 304mm).

### PERCAUTIONS

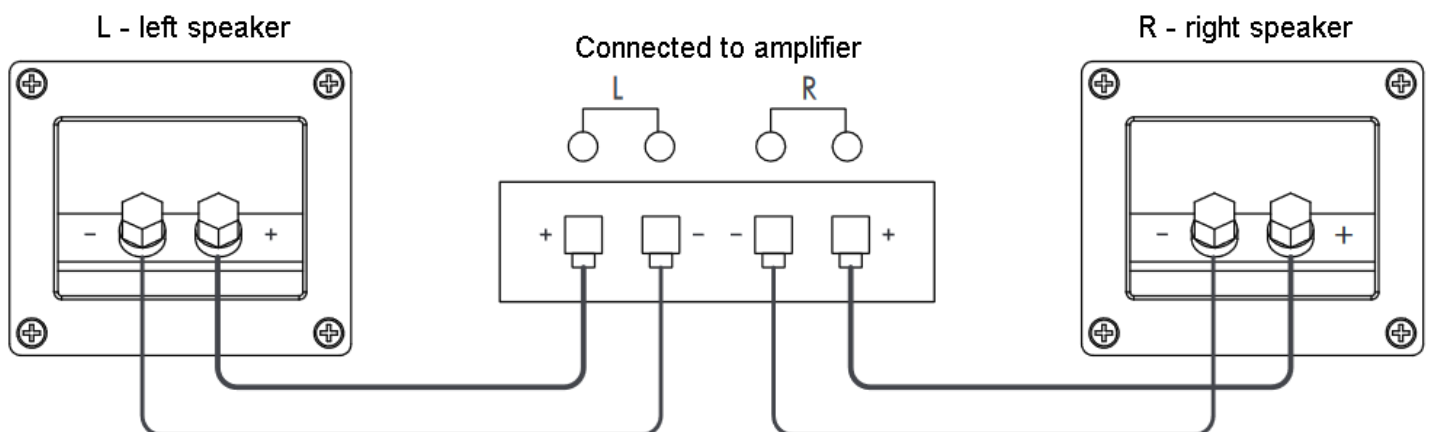
1. Do not place the product in a humid area, near water, or a heat source
2. Do not place objects containing liquid such as vases and glasses of water on the device
3. Do not change components or composition of the speaker
4. Clean the product with a soft, damp cloth

## FEATURES

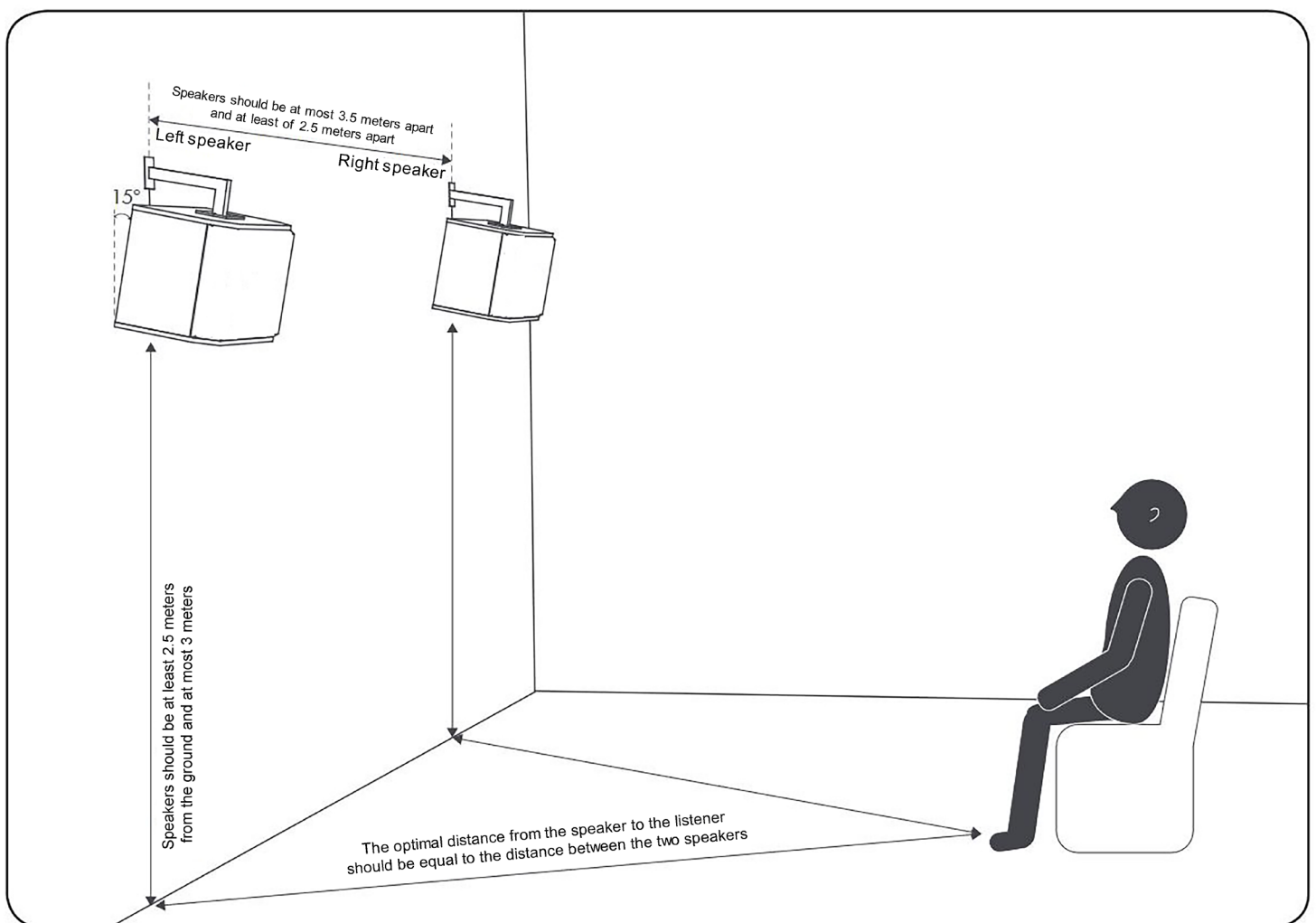
- High-grade MDF shell covered with textured black vinyl, including a front cover decorated by a layer of checkered brown and white embroidered synthetic fibers covering the inner wire mesh
- A front air outlet vent is included, designed to eliminate bass “boom” when speakers are placed close to walls or in corner, making it easier to set up your audio system
- Extremely light, hard and elastic specially refined synthetic fiber woofer, with a foam surround ring for fast and accurate response that helps increase sensitivity. Expertly supporting and blending singing with a powerful and full bass
- The tweeter and midrange synthetic fiber diaphragm has a diameter of 76mm and are symmetrically located on both sides of the Woofer to create optimal coverage, bringing clear midrange and high frequencies with lots of detail to produce a clean sound
- Singing voices sound clean and crisp in the highs but warm and full in the lows
- High quality crossover circuits are used to optimize performance
- Screw mounting points are highlighted for easy speaker installation

## SELECTING CABLES AND SETUP

- It is recommended that you “ground” the speaker and make sure the connected amplifier is not turned on before connecting the speaker cable
- For optimal sound quality, you should use a dual strand cable with an insulating cover, with a core diameter over 1.6mm and connect the right poles (+/-) from the amplifier to the speaker



- For Boston Acoustics speakers to operate at optimal efficiency, please note that the speakers should be installed and arranged according to the following distance and angling parameters:
- The 2 speakers should be at most 3.5 meters apart and at least of 2.5 meters apart
- The speakers should point down at the listener/singer at a 15° angle
- The speakers should be at least 2.5 meters from the ground and at most 3 meters
- The optimal distance from the speaker to the listener should be equal to the distance between the two speakers.
- The two speakers should not face each other to avoid echoing/feedback.
- Pay attention to the left (L) and right (R) labels on the back on the speakers and install accordingly
- You should pair our speakers with amplifiers from Boston Acoustics or amplifiers from other reputable brands with a capacity of at least 200 watts (8  $\Omega$ ) per channel to for BA Classic 8 speakers, a capacity of at least 250 watts (8 $\Omega$ ) per channel for BA Classic 10 speakers and a capacity of at least 300 watts (8 $\Omega$ ) per channel for BA Classic 12 speakers.
- After placing and connecting you speakers, adjust the volume button to minimum (Min) before turning on the power and signal source (e.g. CD player...). Slowly increase the volume to a moderate listening level, then check the sound coming from speaker. The process of testing speakers for the first time can take long time, please be patient in order to get the desired effect.



## TROUBLESHOOTING COMMON ISSUES

ISSUES	SOLUTIONS
No sound coming from speakers	<ul style="list-style-type: none"><li>• Check the amplifier, make sure that a signal from the music source transferring into the amplifier</li><li>• Make sure the amplifier is plugged in and the power switch is on</li><li>• Check the connection between the speaker and the amplifier</li><li>• Check the volume knob on the amplifier, make sure it is not at zero</li></ul>
Sound is only coming from one speaker	<ul style="list-style-type: none"><li>• Check the cable connection of the speaker without sound</li><li>• Check the left / right balance knob on the amplifier and make sure it is in the middle position.</li><li>• Change the connection position the speaker without sound</li></ul>
Not enough bass or treble	<ul style="list-style-type: none"><li>• Adjust the Bass /Treble knobs on the amplifier or digital karaoke mixer</li><li>• Check the speaker cable, make sure it is connected to the negative pole (-) and the positive pole (+) of the amplifier</li></ul>

## SPECIFICATIONS

Model	Classic 10
System type	3 way
Rated power	150W
Impedance	8 Ohms
Sensitivity	92dB
Frequency Response	48Hz - 17kHz
Coverage	120° × 90° (H × V)
Tweeter (Treble)	2 x 76mm
Midrange (Mid/Treble)	2 x 76mm
Woofer (Mid/Bass)	1 x 254mm
Dimensions (Height x Width x Depth)	290 × 505 × 320mm
Net weight	11kg