

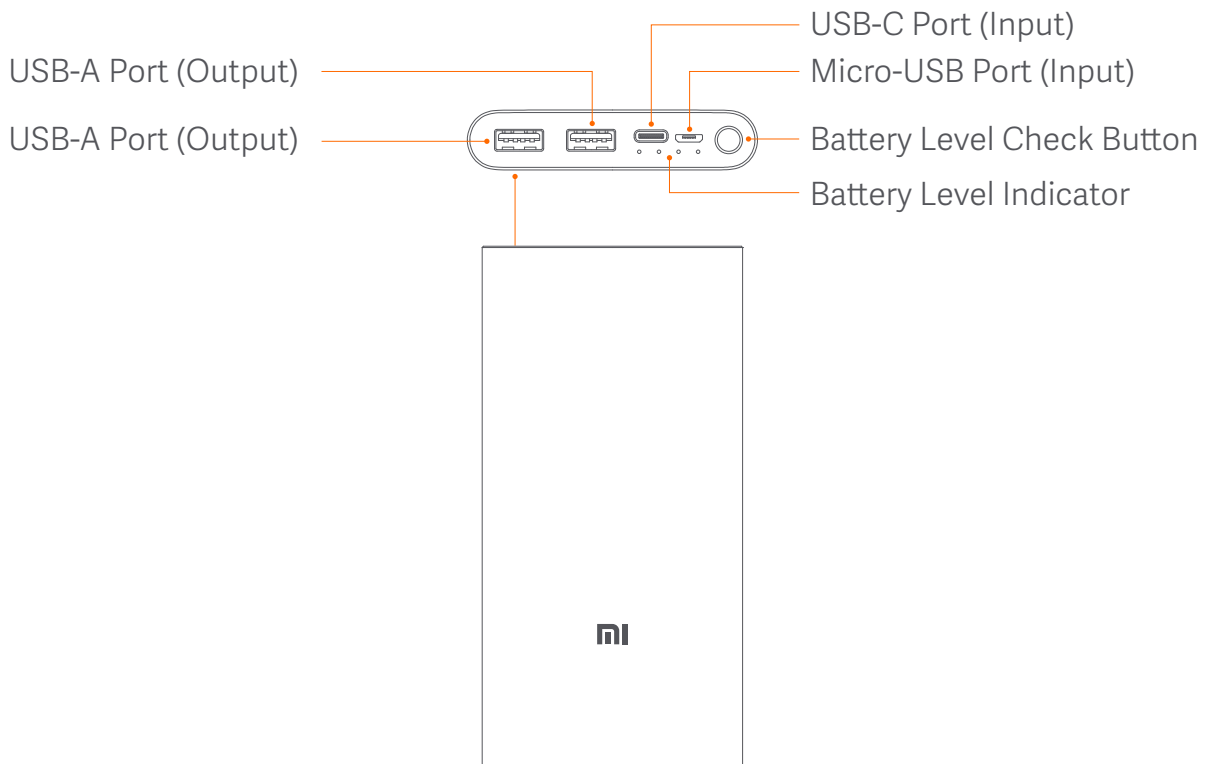


10000mAh Mi 18W
Fast Charge Power Bank 3
User Manual

Read this manual carefully before use, and retain it for future reference.

Product Overview

Thank you for choosing this high-capacity power bank that uses high-quality lithium polymer battery cells and a charging and discharging chip with excellent performance in safety, efficiency, and compatibility.



Notes:

The battery level check button is not a power button. The power bank automatically detects charging and discharging.

The battery level indicator turns off in about 2 minutes after being fully discharged.

Safety: The Mi Power Bank is provided with multiple safeguarding technologies to prevent overcharging, over-discharging, overheating, and short circuits in any working condition.

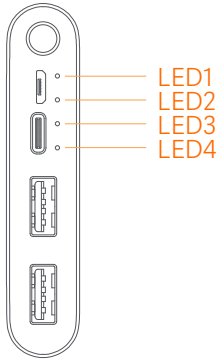
Fast Charging: The power bank supports 5.1 V/2.4 A, 9 V/2 A and 12 V/1.5 A using a USB-A cable. The maximum output power is 18 W when charging two devices simultaneously using dual-port output.

Compatibility: Built-in smart USB charging controller, and compatible with most mobile phones and electronic devices in the market.

Quality: High-quality lithium polymer battery cells, and a charging and discharging chip.

Charging

Connect a Mi power adapter to the power bank via the USB-C or Micro-USB port to charge the power bank. The indicator shows the following charging status:



Battery Level	LED1	LED2	LED3	LED4
0-25%	Blinking	Off	Off	Off
25-50%	On	Blinking	Off	Off
50-75%	On	On	Blinking	Off
75-99%	On	On	On	Blinking
Fully Charged	On	On	On	On
Charging Error	Blinking	Blinking	Blinking	Blinking

Discharging

This power bank uses the USB-A ports for charging other devices. The indicator shows the following discharging status:

Battery Level	LED1	LED2	LED3	LED4
Undervoltage	Off	Off	Off	Off
0-25%	Blinking	Off	Off	Off
25-50%	Blinking	Blinking	Off	Off
50-75%	Blinking	Blinking	Blinking	Off
75-100%	Blinking	Blinking	Blinking	Blinking

Low-current discharge: When the power bank is not charging, double press the battery level check button to enter the low-current discharge mode. This mode can be used to charge low-current devices such as Bluetooth headphones and smart bands. The indicator lights will turn on one by one so as to indicate the power bank is in low-current discharge mode. Simply press the button again to exit this mode. The power bank will automatically exit this mode after two hours.

Warning

Improper use may result in battery failure, overheating, and even fire or explosion. To ensure your safety and minimize the risk of personal injuries and property damage, please observe the following precautions:

- This power bank is not a toy. Please keep it away from children. Do not let children use or play with this power bank so as to avoid accidents.
- Make sure you use a charger that complies with the local safety standards when charging this power bank, so as to prevent electric shocks or damage to the battery.
- Do not expose this power bank to pressure, impact, strong vibrations, or liquids. Any of these occurrences may lead to a short circuit or cause damage to the battery or electrical circuit. When this happens, stop using the power bank immediately, and dispose of it properly.
- When this power bank becomes swollen, deformed, starts to leak, or its capacity is significantly reduced, please stop using it immediately and dispose of it properly.
- Do not charge or discharge this power bank in places where its heat dissipation may be affected, such as in your pants pocket, a closed bag, or on a bed or sofa. Make sure that the power bank is not covered by clothing, pillows, bedding, or other miscellaneous items during this process. When charging other devices for a long time, do not stack this power bank with other devices including phones to ensure better heat dissipation.
- Do not disassemble, or expose this power bank to pressure, impact, strong vibrations, liquids, fire, and other heat sources such as stoves, heaters, or environments with ambient temperatures higher than 60°C (140°F).
- When it is hot, do not leave this power bank in a car or other place that is exposed to direct sunlight.
- This power bank contains a lithium polymer battery. Do not open its casing under any circumstance to avoid battery damage or safety hazards.

Precautions

- Please fully charge this power bank before using it for the first time.
- Use an appropriate charger and USB cable (Mi brand products are recommended) when charging the power bank or using it to charge other devices.
- Do not leave this power bank unattended while charging, and unplug it from the power supply before going out or leaving it unattended for a long time.
- Once this power bank is fully charged, or after it is used to fully charge another device, unplug the charging cable in a timely manner to prevent damage.
- When the battery level is not displayed after pressing the button, it may be because the power bank is in protective mode. Try plugging in an external charger to restore the power bank.
- When not using this power bank for a long time, please keep its battery level in the range of about 25–50%, and store it in a cool and dry environment. Avoid long-term storage when the power bank is fully charged or empty, so as to extend its battery life.

Specifications

Model: PLM13ZM Battery Type: Lithium polymer battery

Cell Capacity: 37 Wh 3.7 V (10000 mAh) Rated Capacity: 5500 mAh (5.1 V/2.6 A)

Operating Temperature: 5°C to 35°C Item Dimensions: 147.8 × 73.9 × 15.3 mm

Input Port: Micro-USB/USB-C Output Port: USB-A

Input:

5 V $\overline{\text{---}}$ 2.1 A / 9 V $\overline{\text{---}}$ 2.1 A / 12 V $\overline{\text{---}}$ 1.5 A (Charging the power bank via Micro-USB/USB-C);

5 V $\overline{\text{---}}$ 2.4 A (Charging the power bank via Micro-USB/USB-C, while charging a device via one of the USB-A ports at a current of 2.4 A);

5 V $\overline{\text{---}}$ 2.6 A (Charging the power bank via Micro-USB/USB-C, while charging two devices via both USB-A ports at a current of 2.6 A)

Output: (Single-port USB-A) 5.1 V $\overline{\text{---}}$ 2.4A 9 V $\overline{\text{---}}$ 2 A 12 V $\overline{\text{---}}$ 1.5 A

(Dual-port USB-A) 5.1 V $\overline{\text{---}}$ 2.6 A

Charging Time:

Approx. 4 hours (with the included USB cable, and 9 V/2 A, 12 V/1.5 A charger)

Approx. 6 hours (with the included USB cable, and a 5 V/2 A charger)

Anti-counterfeit Label Instructions

Each Mi Power Bank comes with an anti-counterfeit label on the outer package. Scratch the anti-counterfeit coating and enter the security code on chaxun.mi.com, to check the authenticity of the product.



Anti-counterfeit Label



Scatched-off Coating

WEEE

All products bearing this symbol are waste electrical and electronic equipment (WEEE as in directive 2012/19/EU) which should not be mixed with unsorted household waste. Instead, you should protect human health and the environment by handing over your waste equipment to a designated collection point for the recycling of waste electrical and electronic equipment, appointed by the government or local authorities. Correct disposal and recycling will help prevent potential negative consequences to the environment and human health. Please contact the installer or local authorities for more information about the location as well as terms and conditions of such collection points.

CE

We Zimi Corporation, hereby, declares that this equipment is in compliance with the applicable Directives and European Norms, and amendments. The full text of the EU declaration of conformity is available at the following internet address: www.mi.com/global/service/support/declaration.html

Disclaimer

The user manual is published by Xiaomi or its local affiliated company. Improvements and changes to this user manual necessitated by typographical errors, inaccuracies of current information, or improvements to programs and/or equipment, may be made by Xiaomi at any time and without notice. Such changes will, however, be incorporated into new editions of this user manual. All illustrations are for illustration purposes only and may not accurately depict the actual device.

For further information, please go to www.mi.com

Manufactured for: Xiaomi Communications Co., Ltd.

Manufactured by: Zimi Corporation

(a Mi Ecosystem company)

Address: A913, No. 159 Chengjiang Road, Jiangyin, Jiangsu, China