

IMPORTANT SAFEGUARDS

The following basic precautions should always be followed when using electrical appliance:

1. Read all instructions before using.
2. Make sure the voltage in your living area corresponding to the one shown on the rating label of the appliance. And the wall socket is properly grounded.
3. To reduce the risk of fire in the oven cavity:
 - a. Do not overcook the food.
 - b. Remove wire twist -ties from paper or plastic bags before placing bags in the oven.
 - c. Do not heat oil or fat for deep frying as the temperature of oil cannot be controlled.
 - d. After use wipe the waveguide cover with a damp cloth, followed by dry cloth to remove any food splashes and grease. Built -up grease may overheat and begin to cause smoke or catch fire.
 - e. If materials inside the oven should smoke or ignite, keep oven door closed, turn oven off and disconnect the power supply.
 - f. When heating food in plastic or paper containers, keep an eye on the oven due to the possibility of ignition.
4. To reduce the risk of explosion and sudden boiling:
 - a. **WARNING:** Liquids and other foods must not be heated in sealed container since they are liable to explode; Baby bottles fitted with a screw cap or teat are considered to be sealed containers.
 - b. Use the wide -mouthed container to cook liquid, and the cooked liquid should not be removed out immediately. Several moments should be waited before removing. In order to avoid

possible hazards caused by delayed eruptive boiling of liquids.

c. Potatoes, sausage and chestnut should be peeled or pierced before cooking. Eggs in their shell, whole hard -boiled eggs should not be heated in microwave ovens since they may explode, even after microwave heating has ended.

d. The contents of feeding bottles and baby food jars are to be stirred or shaken and the temperature is to be checked before consumption, in order to avoid burns.

5. WARNING: Damage to the oven door or its adjacent components Do not attempt to operate the microwave until it is repaired by a qualified service technician.

6. WARNING: Except for qualified service personnel, it is dangerous for others to perform maintenance operations, including removing protective covers that prevent microwave leakage.

7. If the power cord is damaged, it must be replaced by a professional technician of the manufacturer, its service department or similar department in order to avoid danger.

8. After cooking the food or taking out the food, you need to wear gloves to remove the food. Do not take it directly. The internal temperature is high to prevent the steam from burning your hands or face.

9. When the popcorn is finished, be careful when removing the plastic wrap on the surface to avoid ironing to the hands and face.

10. To prevent damage to the turntable, note the following:

a. Let the turntable cool down before cleaning.

b. Do not place hot foods or utensils on the cold turntable.

c. Do not place frozen foods or utensils on the hot turntable.

d. Make sure that the turntable does not touch the inner

surface of the cavity when cooking.

11. Make sure the utensils fitting for microwave, and do not touch the interior walls during cooking.

12. Do not store food or any other things inside the oven.

13. Do not use no-load heating when using, and do not use metal utensils to avoid damage to the microwave oven, which may also cause danger.

14. **WARNING:** Children can be allowed to use the microwave oven unsupervised only if adequate guidance has been provided so that the child can use the microwave oven in a safe manner and understands that improper use poses a hazard.

15. When the appliance is operated in the combined mode, due to the high temperature, the microwave oven can be operated by the child only under the guidance of an adult.

16. Be careful with microwave radiation. When the microwave oven is working, no items can be placed at the vents to avoid affecting the normal heat dissipation of the microwave oven.

17. Clean the door seal, the details of the cavity and adjacent components.

18. The microwave should be cleaned regularly and all food waste from the microwave oven should be removed.

19. Failure to clean the microwave oven can cause deterioration of the surface of the appliance, which can affect the life of the appliance and can lead to dangerous situations.

20. The microwave oven cannot be operated in the form of an external timer or a separate remote control system. (for microwave ovens with grill function)

21. Any accessories not recommended by the manufacturer are not available.

22. Do not use the microwave outdoors.

23. Save your own manual.



: CAUTION: HOT SURFACE

Household use only

INSTALLATION

1. Remove the packaging and take out the distance limiter from accessory in microwave oven (some models have been installed already), unlock the power cord, according to the specific shape of distance limiter, install by following the given instruction. The purpose of the distance limiter is to make the microwave oven to keep a certain distance from the wall.

2. Take out all the packing. Carefully check whether there is damage to the microwave oven. Such as:

- a. the oven cavity is impacted or pressured.
- b. the door is not flat; the switch is not smooth and flexible.
- c. the metal Insulated mesh on the door is bended or deformed.
- d. the power cord is loose.

If it is found above, contact your nearest service center approved.

3. Microwave ovens must be placed under dry and non-corrosiveness environments, kept away from heat and humidity, such as gas burner or water tank.

4. To ensure sufficient ventilation, the distance of the back of microwave to the wall should be at least 10 cm, the side to the wall should be at least 5 cm, the free distance above the top surface at least 20 cm. the distance of the microwave to the ground should be at least 85 cm.

5. The position of the oven shall be far from the TV, Radio or antenna to avoid disturbance, the distance at least more than 5 m.
6. The appliance must be positioned so that the plug is accessible, and must ensure a good grounding in case leakage, ground loop can be formed to avoid electric shock.
7. The microwave oven must not be placed in a cabinet. The microwave oven is intended to be used freestanding.
8. As there is manufacturing residue or oil remained on the oven cavity or heat element, it usually would smell the odor, even a slight smoke, It is normal case and would not occur after several times use, keep the door or window open to ensure good ventilation. So it is strongly recommended to set the oven to grill mode and operate dry several times. Operating dry can only be conducted in the grill mode; it can not be conducted at combination mode
9. To keep the microwave oven at a distance from the wall, it is necessary to install a distance limiter.

CLEANING

MICROWAVE OVEN CARE

CAUTION

The oven should be cleaned regularly and any food deposits removed.

WARNING

1. Remove the power cord from the wall outlet before cleaning. Don't immerse the appliance in water or other fluids when cleaning.
2. Failure to maintain the oven in a clean condition could lead to deterioration of the surface that could adversely affect the life

of the appliance and possibly result in a hazardous situation

3. Never use hard detergent, gasoline, abrasive powder or metal brush to clean any part of the appliance

4. Do not remove the waveguide cover

5. When the microwave oven has been used for a long time, there may be some strange odors exist in oven, Following 3 methods can get rid of them:

a. Place several lemon slices in a cup, then heat with high Micro Power for 2-3 min.

b. Place a cup of red tea in oven, then heat with high micro power.

c. Put some orange peel into oven, and then heat them with high Micro Power for 1 minute.

6. WARNING: Only allow children to use the oven without supervision when adequate instructions have been given so that the child is able to use the oven in a safe way and understands the hazards of improper use.

TIPS FOR CLEANING

Details for cleaning door seals, cavity and adjacent parts:

Exterior:

Wipe the enclosure with a dampened soft cloth

Door:

Using a dampened soft cloth, wipe clean the door and window

Wipe the door seals and adjacent parts to remove any spill or spatter

Wipe the control panel with a slightly dampened soft cloth

Interior walls:

Wipe clean the cavity with a dampened soft cloth

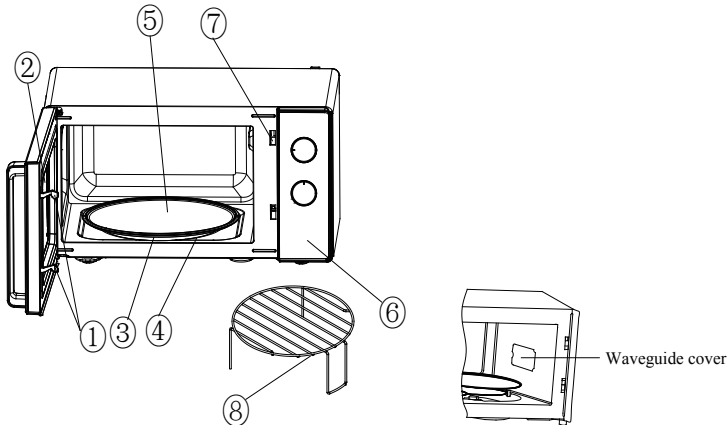
Wipe clean the waveguide cover to remove any food splashed

Turntable/ Rotation ring/ Rotation axis:

Wash with mild soap water

Rinse with clean water and allow drying thoroughly

PRODUCT INSTRUCTION



1) Door lock

Microwave oven door must be properly closed in order for it to operate

2) Viewing window

Allow user to see the cooking status

3) Rotating axis

The glass turntable sits on the axis; the motor underneath it drives the turntable to rotate

4) Rotating ring

The glass turntable sits on its wheels; it supports the turntable and helps it to balance when rotating

5) Turntable

The food sits on the turntable, its rotation during operation helps to cook food evenly

CAUTION

- Place the rotating ring first
- Fit the turntable onto the rotating axis and make sure that it is geared in properly

6) Control panel

See below in details (the control panel is subject to change without prior notice)

7) Waveguide cover

It is inside the microwave oven, next to the wall of control panel.

WARNING

Never remove the waveguide cover

8) Grill rack

Use to place the roasting food.

CONTROL PANEL

1. Clock Setting

The maximum setting is 35 minutes, there is a ringtone at the end, and the knob returns to the "0" position.

2. Microwave Function

1) There are nine firepower:

Low fire - 17% microwave firepower, suitable for food temperature insulation.

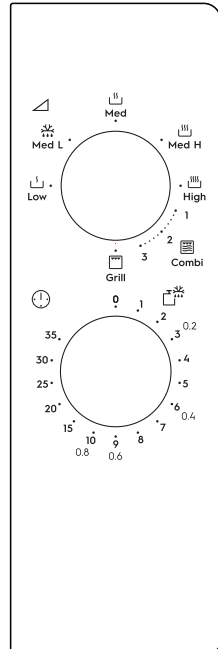
Medium to low fire - 33% microwave firepower, suitable for thawing food.

Medium fire - 55% microwave firepower, suitable for cooking.

Medium high fire - 77% microwave firepower, suitable for faster cooking

High fire---100% microwave firepower for fast cooking.

Combination 1: Microwave and heating tube barbecue alternately, the heating tube



barbecue time is 82%, suitable for grilled ribs, sandwiches, etc.

Combination 2: The microwave and the heating tube are alternately grilled, and the heating tube has a grilling time of 71%, which is suitable for roasting whole chicken or meat.

Combination 3: Microwave and heating tube barbecue alternately, the heating tube barbecue time is 58%, suitable for roasting large whole chicken or duck.

Barbecue: The food is cooked by the heat of the heating tube during cooking. It is suitable for baking sausage, chicken wings, pork ribs, meat and other thin pieces.

2) Suggestions for some food thawing times are provided below:

	Weight	Defrost time
Meat	0.1~1.0kg	1:30~26:00
Poultry	0.2~1.0kg	2:30~22:00
Sea food	0.1~0.9kg	1:30~14:00

OPERATION

1) Connect the cord

- Before connecting the cord, make sure the timer is set to "0" position.

- Do not block the ventilation.

2) Place the food on the glass turntable and close the door; food must be contained in a utensil.

3) Select the desired power level

4) Set the timer

If desired time is less than 3 minutes, turn the timer knob to over 3 minutes position and then turn back to the desired time setting

5) Once the desired time is set, the cooking begins. If pausing in between is needed, just open the door at any time, and close it to resume operation

6) When it times out and cooking ends, the microwave oven

produces a bell ring, the inside lamp will also be automatically turned off

- If food is removed before time out, make sure to set back the timer to “0” position, this avoids the microwave oven from operating in empty load

- It is recommended to wear gloves when removing the cooked food from oven and be careful do not touch the heat element on the top of cavity.

- In the mode of Combination/Grill, all of the oven parts, as well as the oven door and top of the oven, may become very hot, do not touch hot surface, use handles or knobs only.

UTENSILS GUIDELINE

It is strongly recommended to use the containers which are suitable and safe for microwave cooking. Generally speaking, the containers which are made of heat-resistant ceramic, glass or plastic are suitable for microwave cooking. Never use the metal containers for microwave cooking and combination cooking as spark is likely to occur. You can take the reference of below table.

Material of container	Microwave	grill	Combi	Notes
Heat-resistant ceramic	Yes	Yes	Yes	Never use the ceramics which are decorated with metal rim or glazed
Heat-resistant plastic	Yes	No	No	Can not be used for long time microwave cooking
Heat-resistant glass	Yes	Yes	Yes	
Plastic film	Yes	No	No	It should not be used when cooking meat or chops as the over-temperature may do damage to the film
Grill rack	No	Yes	Yes	

Metal container	No	No	No	It should not be used in microwave oven. Microwave can not penetrate through metal.
lacquer	No	No	No	Poor heat-resistant. Can not be used for High-temperature cooking
Bamboo wood and paper	No	No	No	Poor heat-resistant. Can not be used for High-temperature cooking

COOKING TIPS

The following factors may affect the cooking result:

Food arrangement

Place thicker areas towards outside of dish, the thinner part towards the centre and spread it evenly. Do not overlap if possible.

Cooking time length

Start cooking with a short time setting, evaluate it after it times out and extend it according to the actual need. Over cooking may result in smoke and burns.

Cooking food evenly

Food such as chicken, hamburger or steak should be turned once during cooking.

Depending on the type of food, if applicable, stir it from outside to centre of dish once or twice during cooking

Allow standing time

After cooking times out, leave the food in the oven for an adequate length of time, this allows it to complete its cooking cycle and cooling it down in a gradual manner

Whether the food is done

Color and hardness of food help to determine if it is done, these

include:

- Steam coming out from all parts of food, not just the edge
- Joints of poultry can be moved easily
- Pork or poultry shows no signs of blood
- Fish is opaque and can be sliced easily with a fork

Browning dish

When using a browning dish or self-heating container, always place a heat-resistant insulator such as a porcelain plate under it to prevent damage to the turntable and rotating ring.

Microwave safe plastic wrap

When cooking food with high fat content, do not allow the plastic wrap come into contact with food as it may melt.

Microwave safe plastic cookware

Some microwave safe plastic cookware might not be suitable for cooking foods with high fat and sugar content. Also, the preheating time specified in the dish instruction manual must not be exceeded.

MAINTENANCE

SERVICING

Please check the following before calling for services.

1. Place one cup of water (approx.150ml) in a glass measure in the oven and close the door securely. Oven lamp should go off if the door is closed properly. Let the oven work for 1 min.
2. Does the oven lamp light?
3. Does the cooling fan work?
(Put your hand over the rear ventilation openings.)
4. Does the turntable rotate?
(The turntable can rotate clockwise or counter clockwise. This is quite normal.)
5. Is the water inside the oven hot?

If “NO” is the answer to any of the above questions, please check your wall socket and the fuse in your meter box.
If both the wall socket and the fuse are functioning properly, CONTACT YOUR NEAREST SERVICE CENTER APPROVED.


SERVICING SAFEGUARDS

Caution: MICROWAVE RADIATION

1. The high voltage capacitor remains charge after disconnection; short the negative terminal of H. V capacitor to the oven chassis (use a screwdriver) to discharge before touching.
2. During servicing below listed parts are liable to be removed and give access to potentials above 250V to earth.

- Magnetron
- High voltage transformer
- High voltage capacitor
- High voltage diode
- High voltage fuse

3. The following conditions may cause undue microwave exposure during servicing.
Improper fitting of magnetron;
Improper matching of door interlock, door hinge and door;
Improper fitting of switch support;
Door, door seal or enclosure has been damaged.

Correct Disposal of this product	
	<p>This marking indicates that this product should not be disposed with other household wastes throughout the EU. To prevent possible harm to the environment or human health from uncontrolled waste disposal, recycle it responsibly to promote the sustainable reuse of material resources. To return your used device, please use the return and collection systems or contact the retailer where the product was purchased. They can take this product for environmental safe recycling.</p>

